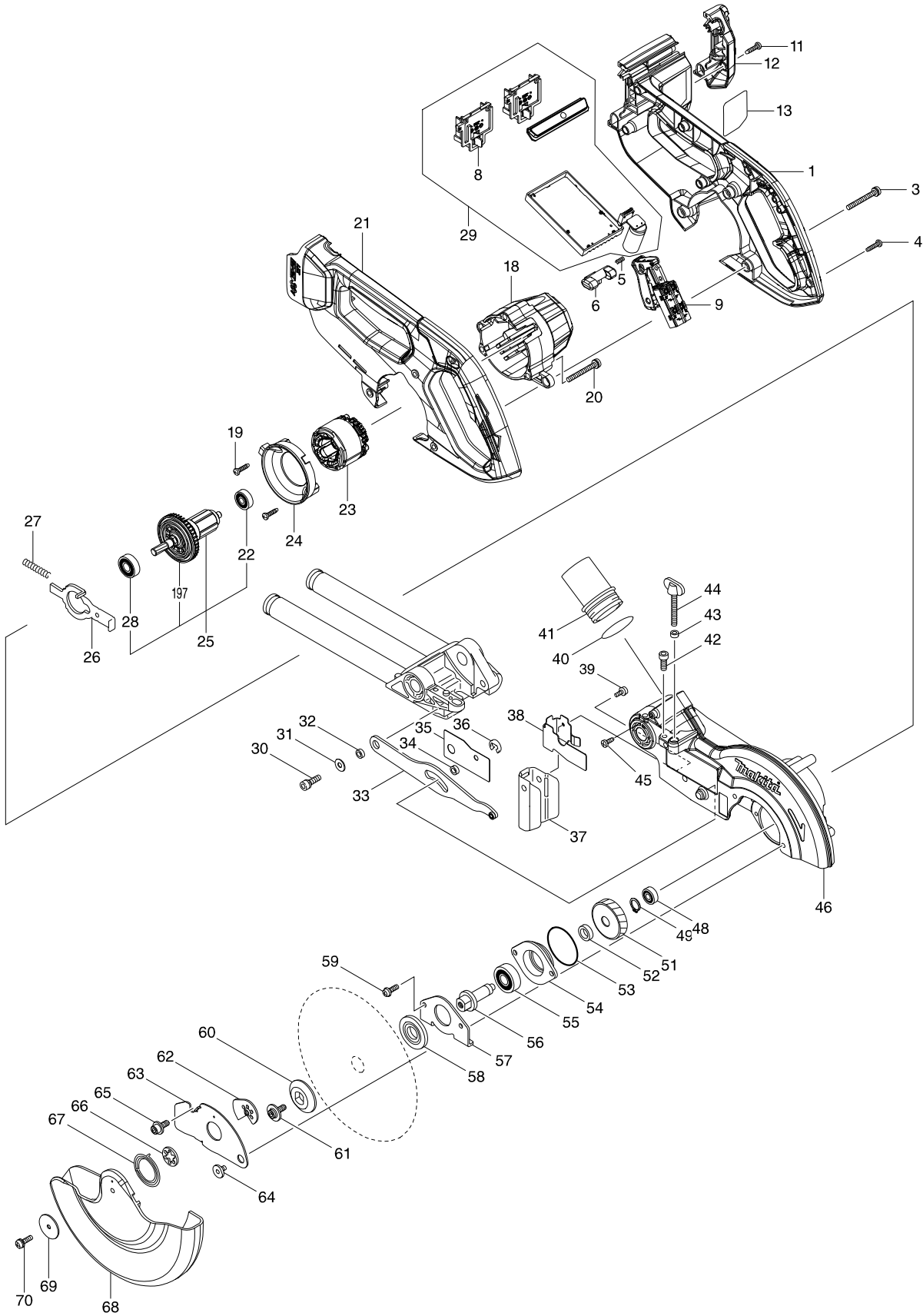
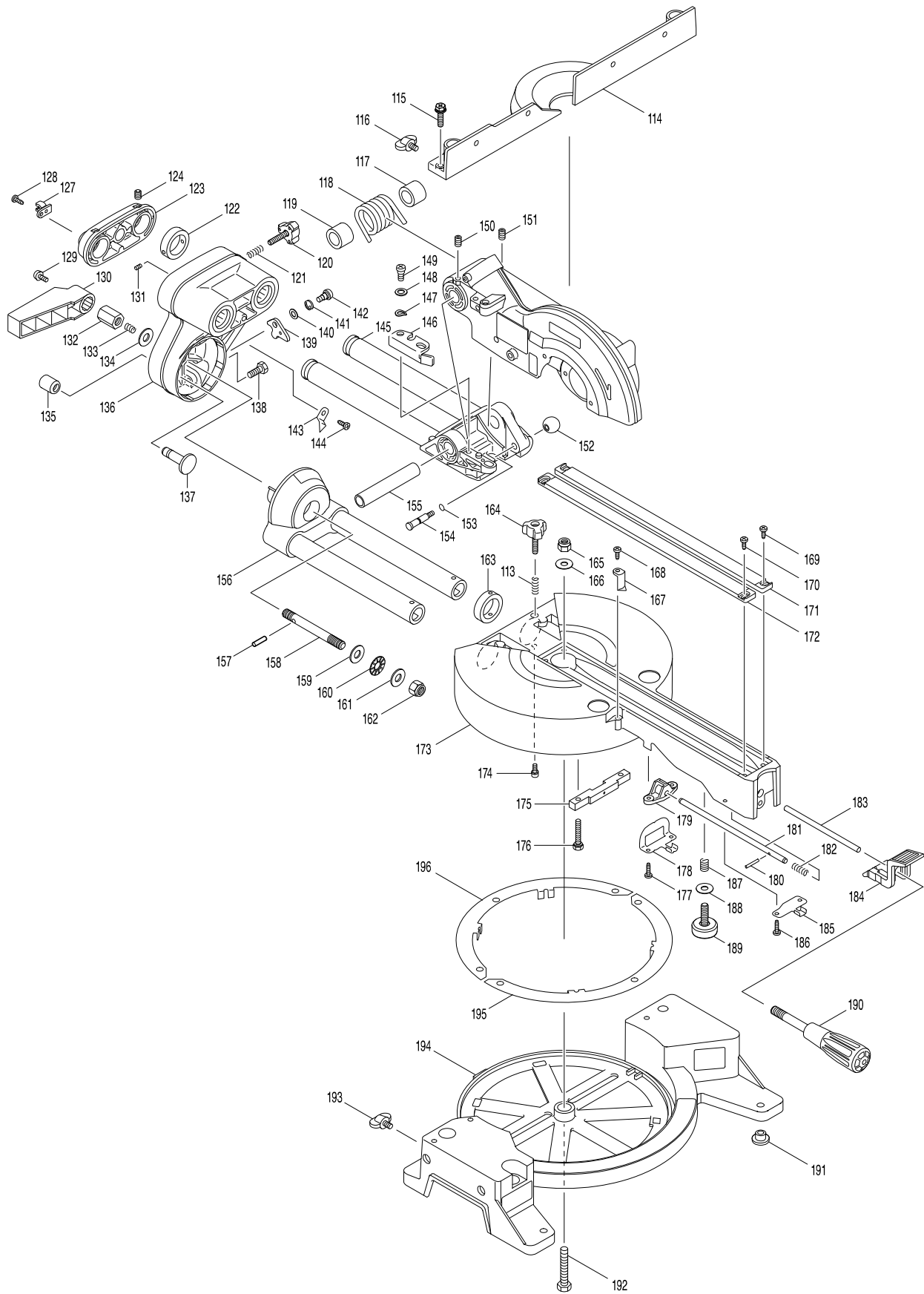


Model No. DLS714 DC SLIDE COMPOUND MITER SAW



Model No. DLS714 DC SLIDE COMPOUND MITER SAW



Model No. DLS714 DC SLIDE COMPOUND MITER SAW

Item	Parts No.	Description	I/C	QTY	N/O	Opt. 1	Opt. 2	NOTE
001	183B55-3	HANDLE SET		1				
D10		INC. 21						
003	911268-2	PAN HEAD SCREW M5X45		3	73181500			
004	265995-6	TAPPING SCREW 4X18		6	73181500			
005	231397-8	COMPRESSION SPRING 4		1	73209090			
006	456024-8	LOCK OFF BUTTON		1				
008	644808-8	TERMINAL		2	73182990			
009	650756-1	SWITCH		1				
011	265995-6	TAPPING SCREW 4X18		3	73181500			
012	143268-6	HANDLE COVER COMPLETE		1				
C10	263005-3	RUBBER PIN 6		1	40169390			
013	851E60-3	DLS714 NAME PLATE		1				
018	456022-2	MOTOR HOUSING		1				
019	265995-6	TAPPING SCREW 4X18		2	73181500			
020	911268-2	PAN HEAD SCREW M5X45		3	73181500			
021	183B55-3	HANDLE SET		1				
D10		INC. 1						
022	210017-7	BALL BEARING 607DDW		1	84821090			
023	629157-4	STATOR		1				
024	456023-0	BAFFLE PLATE		1				
025	519373-5	ROTOR ASS'Y		1	*			
D10		INC. 22,28,197			*			
025-1	519373-5	ROTOR ASS'Y	O	1				
D10		INC. 22,28,197						
026	344681-3	SHAFT LOCK		1				
027	233092-6	COMPRESSION SPRING 5		1	73209090			
028	211092-6	BALL BEARING 629DDW		1	84821090			
029	143291-1	CONTROLLER COMPLETE		1	*			
D10		INC. 8			*			
029-1	140B40-9	CONTROLLER COMPLETE	<	1				
D10		INC. 8						
030	922331-6	HEX. SOCKET HEAD BOLT M6X20		1	73181500			
031	253804-1	FLAT WASHER 6		1	84679900			
032	257163-5	RING 6		1	73182990			
033	154643-1	LINK PLATE COMPLETE		1				
034	257163-5	RING 6		1	73182990			
035	346330-8	LINK COVER		1				
036	961018-5	STOP RING E-5		1	73182990			
037	424045-8	GUARD		1				
038	345438-5	GUARD PLATE		1				
039	911113-1	PAN HEAD SCREW M4X10 WITH WR		1	73181500			
040	213460-9	O RING 35		1	40169320			
041	419277-0	DUST NOZZLE		1	40169390			
042	266757-5	HEX. SOCKET HEAD BOLT M6X16		1				
043	262001-8	URETHANE RING 5		1	73182990			
044	265717-4	SCREW M6X43		1	73181500			
045	266026-4	TAPPING SCREW BIND CT 4X12		1	73181500			
046	140697-4	BLADE CASE COMPLETE		1				

Model No. DLS714 DC SLIDE COMPOUND MITER SAW

Item	Parts No.	Description	I/C	QTY	N/O	Opt. 1	Opt. 2	NOTE
C10	263002-9	RUBBER PIN 4		1		40169390		
C20	263005-3	RUBBER PIN 6		1		40169390		
048	210017-7	BALL BEARING 607DDW		1		84821090		
049	961052-5	RETAINING RING S-12		1		73182990		
051	227810-2	HELICAL GEAR 53		1				
052	257088-3	RING 12		1				
053	213623-7	O RING 46		1				
054	317193-9	BEARING BOX		1				
055	211129-9	BALL BEARING 6201DDW		1		84821090		
056	323798-5	SPINDLE		1				
057	285694-4	BEARING RETAINER 58		1				
058	224370-5	INNER FLANGE 40		1		73182990		
059	911223-4	PAN HEAD SCREW M5X16		2		73181500		
060	224275-9	OUTER FLANGE 40		1				
061	266733-9	HEX. S.F.H. BOLT M6X16		1				
062	345585-2	CENTER PLATE		1				
063	346232-8	CENTER COVER		1				
064	265985-9	HEX.SOCKET HEAD BOLT M6		1		73181500		
065	266732-1	HEX. SOCKET HEAD BOLT M6X16		1				
066	345589-4	CENTER WASHER		1				
067	231934-8	SPIRAL SPRING 26		1				
068	419123-7	SAFETY COVER		1				
069	267136-0	FLAT WASHER 5		1		73182200		
070	265491-4	H.S. BUTTON HEAD BOLT M5X16		1		73181500		
113	231325-3	COMPRESSION SPRING 6		1		73209090		
114	318655-0	GUIDE FENCE		1				
115	922344-7	H.S.H.BOLT M6X25 WITH WG		3				
116	251887-5	SCREW M6X10		1		73181500		
117	416535-5	SLEEVE 17		1				
118	233520-1	TORSION SPRING 28		1				
119	416535-5	SLEEVE 17		1				
120	265790-4	THUMB SCREW M6X28		1				
121	231325-3	COMPRESSION SPRING 6		1		73209090		
122	257214-4	RING 26		1				
123	318651-8	PIPE HOLDER		1				
124	266208-8	H.S.SET SCREW(CUP POINT)M6X8		2		73181500		
127	687045-1	STRAIN RELIEF		1				
128	266026-4	TAPPING SCREW BIND CT 4X12		1		73181500		
129	911113-1	PAN HEAD SCREW M4X10 WITH WR		1		73181500		
130	416006-2	LEVER 100		1		84679900		
131	913106-4	SET SCREW M4X8		1				
132	252144-4	HEX. NUT M10-17		1		73181500		
133	231266-3	COMPRESSION SPRING 5		1		73209090		
134	253024-7	FLAT WASHER 10		1		84679900		
135	286236-7	CAP 16		1		40169390		
136	140609-7	ARM COMPLETE		1				
C10	211376-2	LINEAR BALL BEARING 2560		2				
C20	262077-5	FELT RING 25		4		73182990		

Model No. DLS714 DC SLIDE COMPOUND MITER SAW

Item	Parts No.	Description	I/C	QTY	N/O	Opt. 1	Opt. 2	NOTE
C30	263005-3	RUBBER PIN 6		2		40169390		
C40	344638-4	CAP 35		2		40169390		
137	324295-4	RELEASE PIN		1				
138	266757-5	HEX. SOCKET HEAD BOLT M6X16		2				
139	345299-3	STOPPER PLATE		1				
140	253726-5	FLAT WASHER 6		1		84679900		
141	231663-3	TORSION SPRING 8		1				
142	265113-6	+PAN HEAD SCREW M5		1				
143	343678-9	POINTER		1		73182990		
144	266026-4	TAPPING SCREW BIND CT 4X12		1		73181500		
145	140608-9	FRONT ARM COMPLETE		1				
146	344643-1	STOPPER ARM		1				
147	253948-7	WAVE WASHER 8		1		84679900		
148	253835-0	FLAT WASHER 8		1		84679900		
149	251267-5	+ PAN HEAD SCREW M6		1		73181500		
150	251961-9	H.S.SET SCREW(FLAT POINT)M6X10		1		73181500		
151	251961-9	H.S.SET SCREW(FLAT POINT)M6X10		1		73181500		
152	271601-3	KNOB 20		1		40169390		
153	213021-5	O RING 5		1		40169320		
154	324183-5	STOPPER PIN		1		73182990		
155	331350-5	PIN 16-90		1				
156	140610-2	ARM HOLDER COMPLETE		1				
C10	816392-5	BEVEL SCALE LABEL		1				
157	256123-4	PIN 5		1		73182990		
158	266320-4	SCREW M10		1				
159	253024-7	FLAT WASHER 10		1		84679900		
160	216413-7	THRUST NEEDLE CAGE 1024		1		73182200		
161	253024-7	FLAT WASHER 10		1		84679900		
162	252130-5	HEX. LOCK NUT M10-17		1		73181500		
163	257214-4	RING 26		1				
164	265790-4	THUMB SCREW M6X28		1				
165	252105-4	HEX. LOCK NUT M8-13		1		73181500		
166	253731-2	FLAT WASHER 8		1		84679900		
167	416355-7	INDICATION PLATE		1		73182990		
168	266026-4	TAPPING SCREW BIND CT 4X12		1		73181500		
169	266026-4	TAPPING SCREW BIND CT 4X12		2		73181500		
170	266026-4	TAPPING SCREW BIND CT 4X12		2		73181500		
171	419103-3	KERF BOARD		1				
172	419103-3	KERF BOARD		1				
173	140614-4	TURN BASE COMPLETE		1				
C10	211376-2	LINEAR BALL BEARING 2560		2				
C20	262077-5	FELT RING 25		4		73182990		
C30	263005-3	RUBBER PIN 6		1		40169390		
C40	344638-4	CAP 35		2		40169390		
C50	810495-7	CAUTION LABEL		1		39199090		
C60	817283-3	CAUTION LABEL		2		83100090		
174	922111-0	HEX. SOCKET HEAD BOLT M4X10		1		73181500		
175	153580-6	SQUARE ROD COMPLETE		1				

