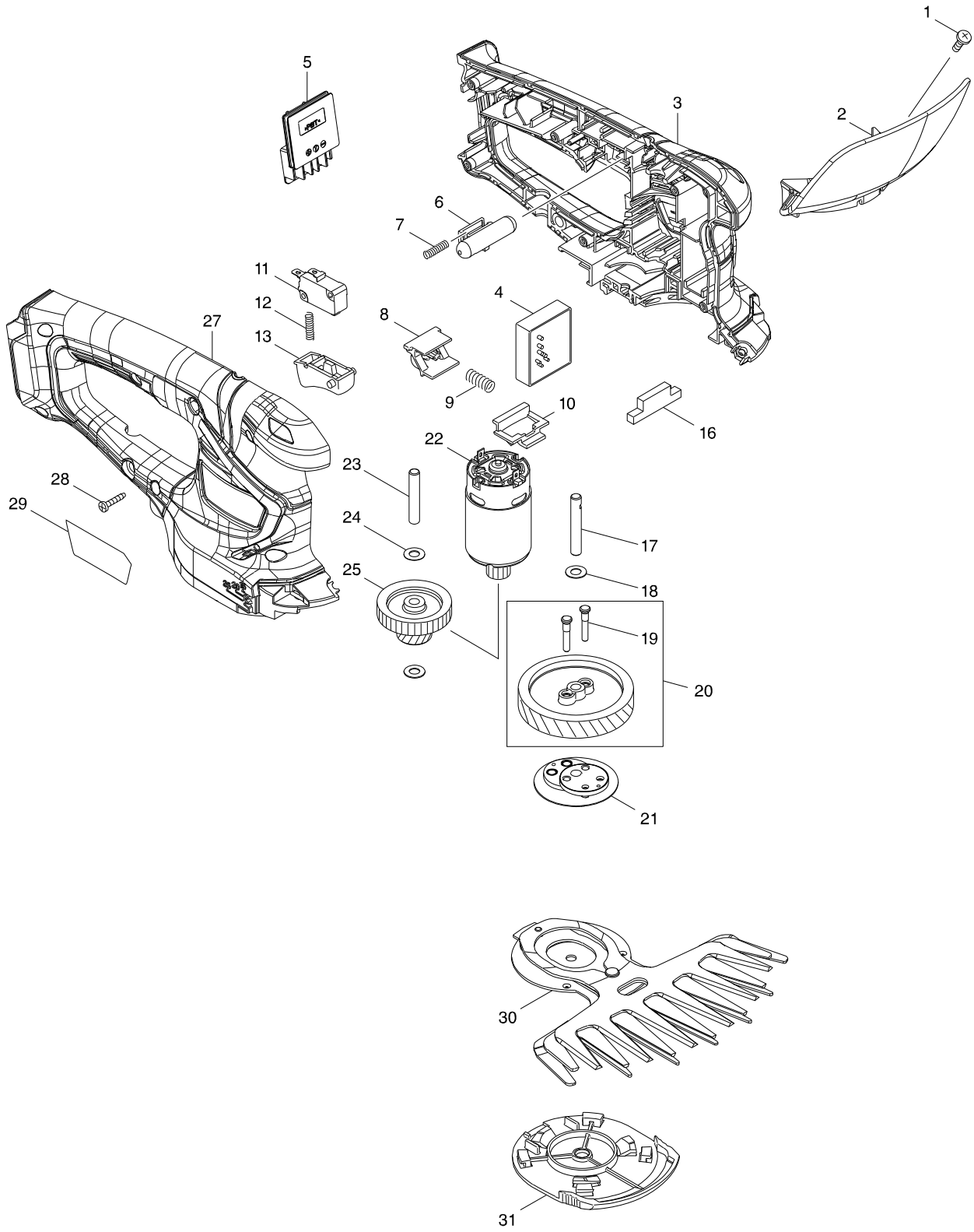


Model No. UM600D 160MM CORDLESS GRASS SHEAR



Model No. UM600D 160MM CORDLESS GRASS SHEAR

Item	Parts No.	Description	I/C	QTY	N/O	Purch.	NOTE
001	915116-7	BINDING HEAD SCREW M4X12		1			
002	144342-3	PROTECTOR COMPLETE		1			
C10	819948-3	CAUTION LABEL		1			
003	183G04-0	HOUSING SET		1			
C10	931102-0	HEX. NUT M4		1			
C20	263002-9	RUBBER PIN 4		2			
C30	346275-0	PLATE		2			
D10		INC. 27					
004	632K10-1	CONTROLLER UNIT		1			
005	644813-5	TERMINAL		1			
006	452438-9	LOCK OFF BUTTON		1			
007	231473-8	COMPRESSION SPRING 4		1			
008	457534-8	SLIDE PLATE		1			
009	234339-1	COMPRESSION SPRING 6		1			
010	454879-5	LOCK LEVER		1			
011	650744-8	SWITCH D3V-16-3C26		1			
012	231473-8	COMPRESSION SPRING 4		1			
013	417564-1	SWITCH LEVER		1			
016	451814-4	DUST GUARD		1			
017	268254-7	PIN 6		1			
018	253715-0	FLAT WASHER 6		1			
019	268256-3	PIN 4		2			
020	135883-0	HELICAL GEAR 47 ASS'Y		1			
D10		INC. 19					
021	161598-3	CRANK COMPLETE		1			
022	629258-8	DC MOTOR		1			
023	268076-5	PIN 6		1			
024	253715-0	FLAT WASHER 6		2			
025	226831-1	GEAR 12-31		1			
027	183G04-0	HOUSING SET		1			
C10	931102-0	HEX. NUT M4		1			
C20	263002-9	RUBBER PIN 4		2			
C30	346275-0	PLATE		2			
D10		INC. 3					
028	266429-2	TAPPING SCREW 3X16		6			
029	852Y86-8	UM600D NAME PLATE		1			
030	195267-4	SHEAR BLADE ASSEMBLY SET		1			
C10	188369-3	OIL VESSEL SET		1			
031	140451-6	UNDER COVER COMPLETE		1			
A01	452055-5	BLADE COVER		1			
A02	457426-1	GRASS RECEIVER 160		1			
A06B	456128-6	BATTERY COVER		2			
A07B	***DC10WD	DC10WD BATTERY CHARGER		1			
D10		COMPO-PARTS					
A08B	198007-9	BATTERY BL1016 SET		2			