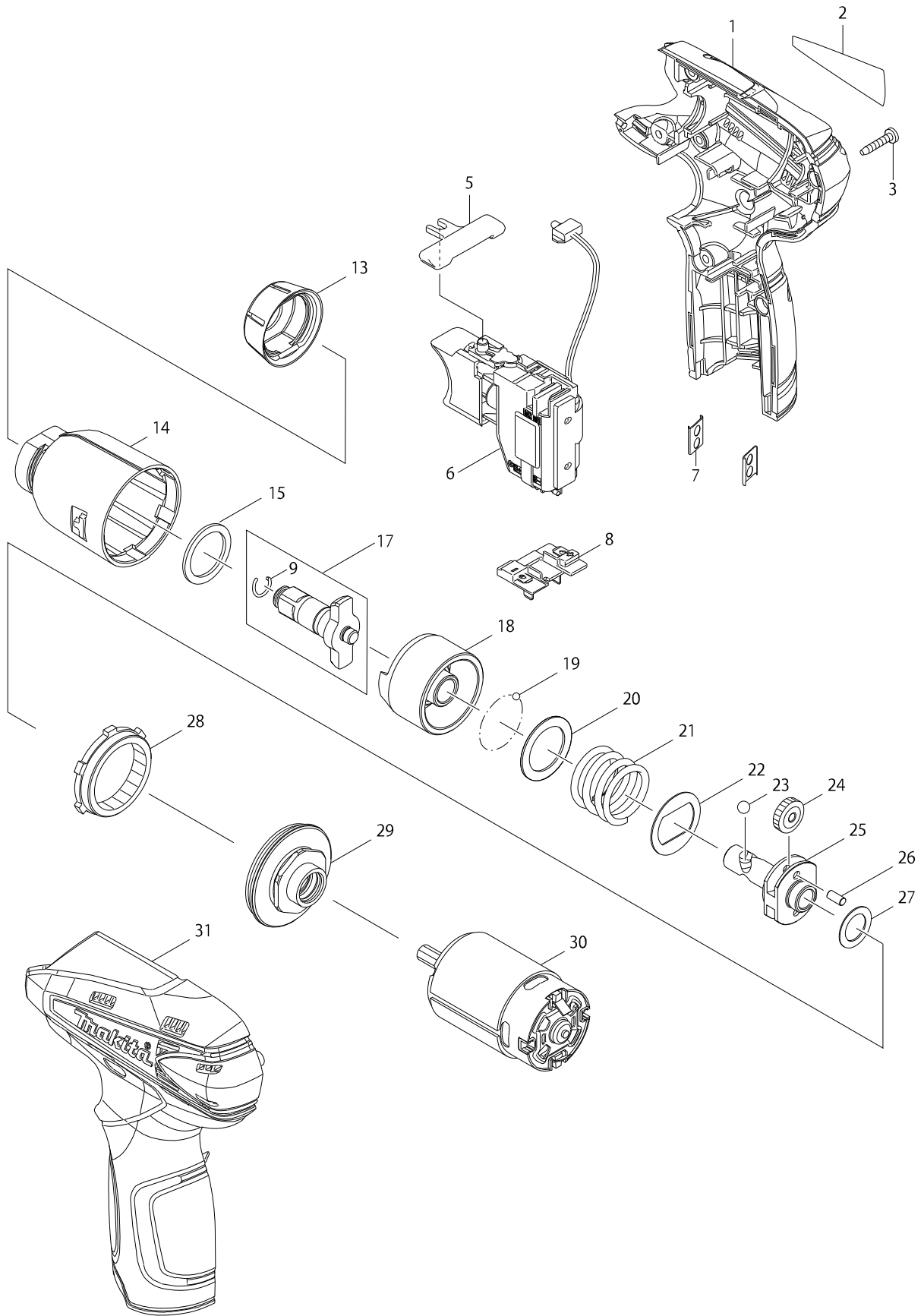


# Model No. TW100D CORDLESS IMPACT WRENCH



# Model No. TW100D CORDLESS IMPACT WRENCH

Item	Parts No.	Description	I/C	QTY	N/O	Opt. 1	Opt. 2	NOTE
001	188497-4	HOUSING SET		1	*			
D10		INC. 31			*			
001-1	187170-3	HOUSING SET	S	1	*			
D10		INC. 31			*			
001-2	187347-0	HOUSING SET	>	1				
D10		INC. 31						
002	869482-3	TW100D NAME PLATE		1				
003	266429-2	TAPPING SCREW 3X16		6				
005	450504-6	F/R CHANGE LEVER		1				
006	650656-5	SWITCH C3HY-1A-EF1M		1	*			
006-1	650691-3	SWITCH C3HW-3A-EF1M	X	1				
007	345998-7	SET PLATE		2				
008	643830-2	TERMINAL		1				
009	231964-9	RING SPRING 7		1				
013	424428-2	BUMPER		1				
014	140929-9	HAMMER CASE COMPLETE		1				
015	261140-1	NYLON WASHER 20		1				
017	135473-9	ANVIL ASSEMBLY		1				
D10		INC. 9						
018	324894-2	HAMMER		1				
019	216019-1	STEEL BALL 3		24				
020	267380-9	FLAT WASHER 20		1				
021	234217-5	COMPRESSION SPRING 21		1				
022	267813-4	WASHER 21		1				
023	216002-8	STEEL BALL 4.8		2				
024	227213-0	SPUR GEAR 17		2				
025	324897-6	SPINDLE		1				
026	268217-3	PIN 3.5		2				
027	253052-2	FLAT WASHER 12		1				
028	227215-6	INTERNAL GEAR 43		1				
029	158671-8	BEARING BOX COMPLETE		1				
C10	210112-3	BALL BEARING 6801LLB		1				
C20	213188-9	O-RING 13		1				
030	629904-3	DC MOTOR		1				
031	188497-4	HOUSING SET		1	*			
D10		INC. 1			*			
031-1	187170-3	HOUSING SET	S	1	*			
D10		INC. 1			*			
031-2	187347-0	HOUSING SET	>	1				
D10		INC. 1						
032	268284-8	PIN 1.5	S	1				
033	263038-8	RUBBER PIN 6	S	1				
034	533020-4	LEAD ASS'Y		1				
035	533019-9	LEAD ASS'Y		1				
A01	***DC10WA	DC10WA BATTERY CHARGER		1				
A02	194550-6	BATTERY BL1013 SET		2				
A03	141104-0	PLASTIC CARRYING CASE COMPLETE		1				
C10	324679-6	SHAFT		1				

