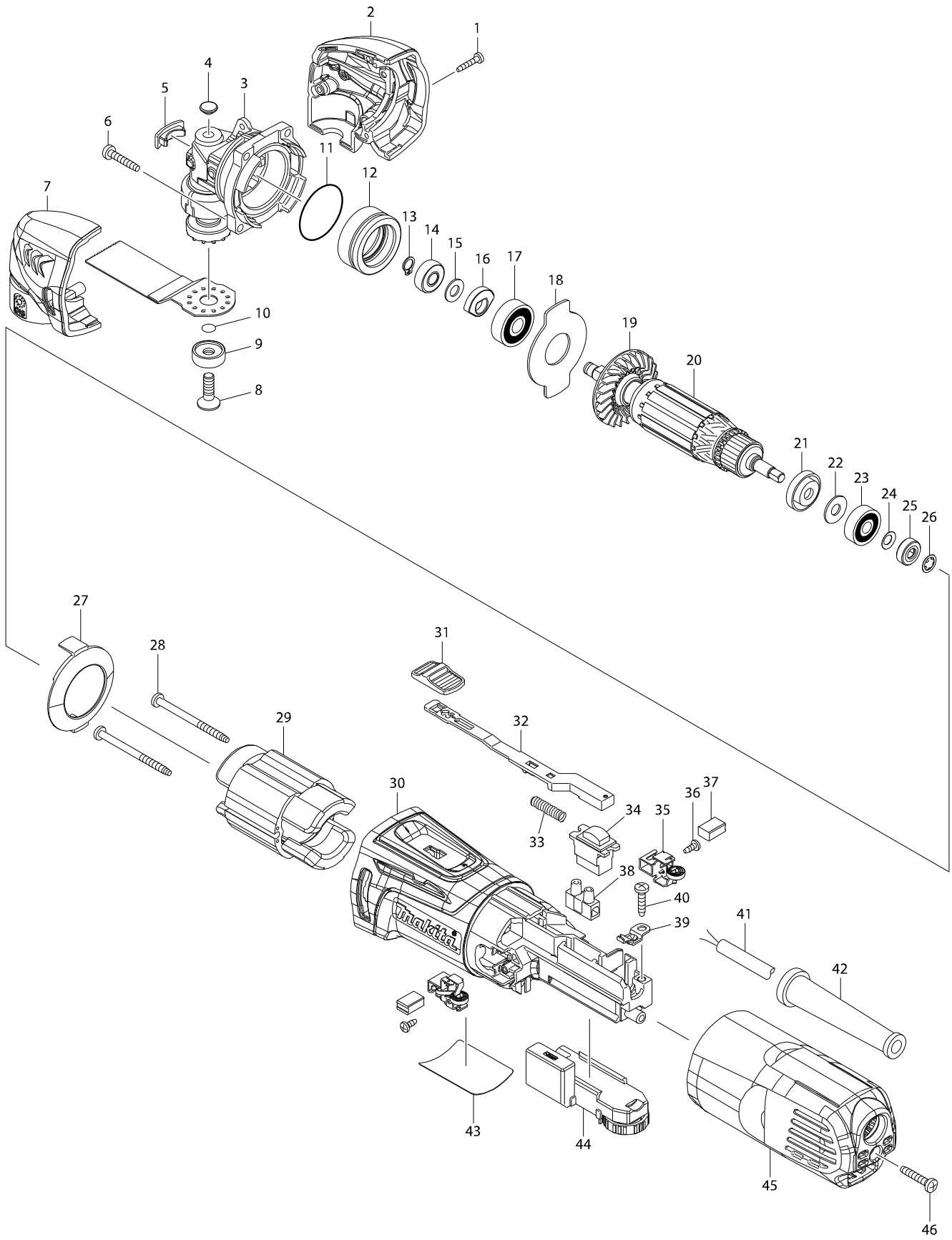


Model No. TM3000C MULTI TOOL



Model No. TM3000C MULTI TOOL

| Item | Parts No. | Description | I/C | QTY | N/O | Opt. 1 | Opt. 2 | NOTE |
|-------|-----------|------------------------------|-----|-----|-----|--------|--------|------|
| 001 | 266429-2 | TAPPING SCREW 3X16 | | 3 | | | | |
| 002 | 187373-9 | HEAD COVER SET | | 1 | | | | |
| D10 | | INC. 7 | | | | | | |
| 003 | 141640-6 | CRANK HOUSING COMPLETE | | 1 | * | | | |
| 003-1 | 142075-4 | CRANK HOUSING COMPLETE | < | 1 | * | | | |
| 003-2 | 142399-8 | CRANK HOUSING COMPLETE | < | 1 | | | | |
| 004 | 424511-5 | CRANK HOUSING CAP B | | 1 | | | | |
| 005 | 424510-7 | CRANK HOUSING CAP A | | 1 | | | | |
| 006 | 266424-2 | TAPPING SCREW 4X20 | | 4 | | | | |
| 007 | 187373-9 | HEAD COVER SET | | 1 | | | | |
| D10 | | INC. 2 | | | | | | |
| 008 | 266783-4 | HEX.SOCKET C.S.H.SCREW M6X20 | | 1 | | | | |
| 009 | 224455-7 | OUTER FLANGE 22 | | 1 | | | | |
| 010 | 213021-5 | O RING 5 | | 1 | | | | |
| 011 | 213479-8 | O RING 33 | | 1 | | | | |
| 012 | 326199-6 | BEARING BOX | | 1 | | | | |
| 013 | 961003-8 | RETAINING RING S-7 | | 1 | | | | |
| 014 | 211392-4 | SPHERE BEARING 706 | | 1 | | | | |
| 015 | 253133-2 | FLAT WASHER 7 | | 1 | | | | |
| 016 | 313245-4 | BALANCER | | 1 | | | | |
| 017 | 211092-6 | BALL BEARING 629DDW | | 1 | | | | |
| 018 | 285857-2 | BEARING RETAINNER | | 1 | | | | |
| 019 | 240140-4 | FAN 46 | | 1 | | | | |
| 020 | 517683-4 | ARMATURE ASSEMBLY 220-240V | | 1 | | | | |
| D10 | | INC. 19,21-26 | | | | | | |
| 021 | 681636-0 | INSULATION WASHER | | 1 | | | | |
| 022 | 267426-1 | FLAT WASHER 7 | | 1 | | | | |
| 023 | 210023-2 | BALL BEARING 627DDW | | 1 | | | | |
| 024 | 267756-0 | WAVE WASHER 6 | | 1 | | | | |
| 025 | 688174-3 | MAGNET SLEEVE | | 1 | | | | |
| 026 | 259039-2 | SELF LOCK 6 | | 1 | | | | |
| 027 | 453828-9 | BAFFLE PLATE | | 1 | | | | |
| 028 | 266415-3 | TAPPING SCREW 4X55 | | 2 | | | | |
| 029 | 623558-8 | FIELD 220-240V | | 1 | | | | |
| 030 | 453823-9 | MOTOR HOUSING | | 1 | | | | |
| 031 | 453761-5 | SWITCH KNOB | | 1 | | | | |
| 032 | 453825-5 | SWITCH LEVER | | 1 | | | | |
| 033 | 234263-8 | COMPRESSION SPRING 5 | | 1 | | | | |
| 034 | 651609-7 | SWITCH SS106A-7-1 | | 1 | | | | |
| 035 | 643839-4 | BRUSH HOLDER 6X9 | | 2 | | | | |
| 036 | 266492-5 | TAPPING SCREW 3X8 | | 2 | | | | |
| 037 | 194722-3 | CARBON BRUSH CB-459 | | 1 | | | | |
| 038 | 654532-5 | TERMINAL BLOCK 1P | | 1 | | | | |
| 039 | 687681-3 | STRAIN RELIEF | | 1 | | | | |
| 040 | 266326-2 | TAPPING SCREW 4X18 | | 1 | | | | |
| 041 | 666071-3 | POWER SUPPLY CORD 1.00-2-5.0 | | 1 | | | | |
| 042 | 682569-2 | CORD GUARD 8-85 | | 1 | | | | |
| 043 | 897303-9 | TM3000C NAME PLATE | | 1 | | | | |

