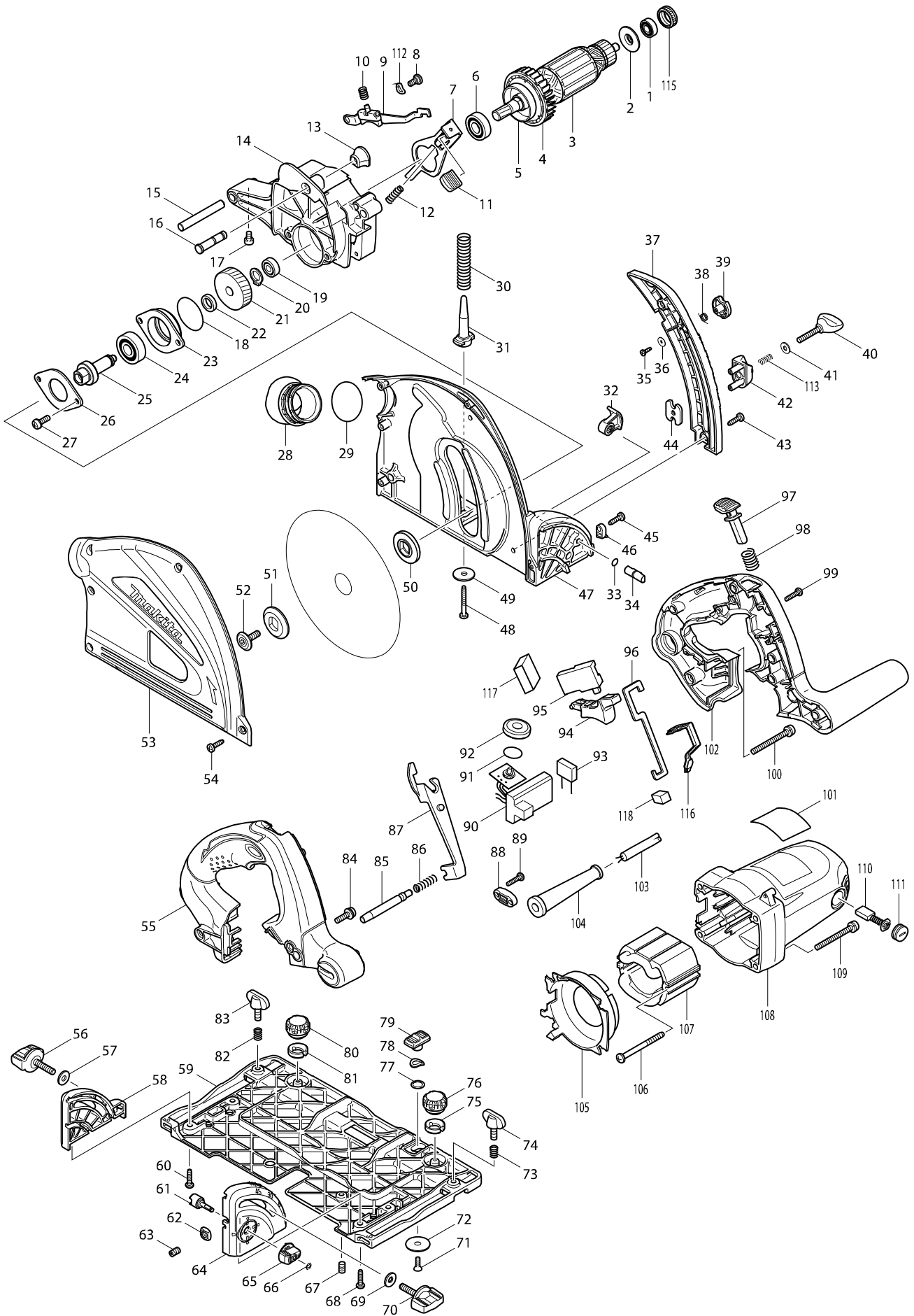


Model No. SP6000 PLUNGE CUT CIRCULAR SAW 165MM



Model No. SP6000 PLUNGE CUT CIRCULAR SAW 165MM

Item	Parts No.	Description	I/C	QTY	N/O	Opt. 1	Opt. 2	NOTE
001	210013-5	BALL BEARING 698VV		1		84821090		
002	681634-4	INSULATION WASHER		1		73182200		
003	513678-5	ARMATURE ASS'Y 220-240V		1				
D10		INC. 1,2,4-6						
004	240091-1	FAN 60		1				
005	345767-6	DRUM		1				
006	211131-2	BALL BEARING 6001DDW		1		84821090		
007	345742-2	SHAFT LOCK		1				
008	265011-4	+ BINDING HEAD SCREW M5		1				
009	158096-6	SHOE COMPLETE		1				
010	233480-7	COMPRESSION SPRING 7		1				
011	286275-7	CAP		1		40169390		
012	233084-5	COMPRESSION SPRING 6		1				
013	286278-1	CAP		1				
014-1	144586-5	GEAR HOUSING COMPLETE		1				
C10	263002-9	RUBBER PIN 4		1		40169390		
015-1	326960-1	PIN 8		1	*			
015-2	324716-6	PIN 8	<	1				
016	324708-5	STOPPER PIN 8		1				
017-1	265907-9	HEX. SOCKET HEAD BOLT M5X10		1				
018	213512-6	O RING 39		1		40169320		
019	211021-9	BALL BEARING 607LLB		1		84821090		
020	961052-5	RETAINING RING S-12		1		73182990		
021	226637-7	HELICAL GEAR 39		1				
022	257010-0	RING 12		1				
023	318088-9	BEARING BOX		1				
024	211129-9	BALL BEARING 6201DDW		1		84821090		
025	324707-7	SPINDLE		1				
026	285689-7	BEARING RETAINER 55		1				
027	911221-8	PAN HEAD SCREW M5X16		2		73181500		
028	419620-3	DUST NOZZLE		1				
029	213460-9	O RING 35		1		40169320		
030	233479-2	COMPRESSION SPRING 11		1				
031	419624-5	SPRING HOLDER		1				
032	158095-8	LEVER 20 COMPLETE		1				
C10	263002-9	RUBBER PIN 4		1		40169390		
033	213021-5	O RING 5		1		40169320		
034	324710-8	PIN 8		1				
035	266007-8	TAPPING SCREW BIND PT 3X10		1		73181500		
036	253821-1	FLAT WASHER 3		1				
037-1	457756-0	DEPTH GUIDE		1				
038	231665-9	TORSION SPRING 7		1				
039	419630-0	LOCK LEVER		1				
040	251867-1	THUMB SCREW M5X30		1				
041	941101-4	FLAT WASHER 5		1		73182200		
042	419623-7	STOPPER BLOCK		1				
043	266034-5	TAPPING SCREW CT 4X16		2		73181500		
044	345744-8	NUT PLATE		1				

Model No. SP6000 PLUNGE CUT CIRCULAR SAW 165MM

Item	Parts No.	Description	I/C	QTY	N/O	Opt. 1	Opt. 2	NOTE
045	266034-5	TAPPING SCREW CT 4X16		1		73181500		
046	419632-6	POSITION PLATE		1				
047-1	158547-9	BLADE CASE COMPLETE		1				
C10	233025-1	COMPRESSION SPRING 2		2		73209090		
C20	253874-0	FLAT WASHER 4		2		84679900		
C30	259008-3	PUSH NUT 4		2				
C40	286277-3	CAP 14		2				
C50	345747-2	SPACER PLATE		2				
048	266053-1	TAPPING SCREW 4X35		1		73181500		
049	253010-8	FLAT WASHER 6		1		73182200		
050	224406-0	INNER FLANGE 35		1				
051	224405-2	OUTER FLANGE 35		1	*			
051-1	224409-4	OUTER FLANGE 35	O	1		73182990		
052	266403-0	HEX. SOCKET HEAD BOLT M6		1				
053	318084-7	BLADE CASE COVER		1				
054	266034-5	TAPPING SCREW CT 4X16		5		73181500		
055	188197-6	HANDLE SET		1				
D10		INC. 102						
056	265776-8	THUMB SCREW M6X26		1				
057	253111-2	FLAT WASHER 6		1				
058	419596-4	REAR ANGULAR GUIDE		1				
059-1	318179-6	BASE		1				
060	265995-6	TAPPING SCREW 4X18		2		73181500		
061	324731-0	STOPPER PIN		1				
062	252157-5	SQUARE NUT M6		1		73181500		
063-1	266225-8	H.S.SET SCREW(FLAT POINT)M6X8		1				
064	419595-6	FRONT ANGULAR GUIDE		1				
065	419571-0	DIAL 22		1				
066	961017-7	STOP RING E-3		1		73182990		
067-2	266225-8	H.S.SET SCREW(FLAT POINT)M6X8		2				
068	265995-6	TAPPING SCREW 4X18		2		73181500		
069	253111-2	FLAT WASHER 6		1				
070	265776-8	THUMB SCREW M6X26		1				
071	912112-6	COUNTERSUNK HEAD SCREW M4X10		1		73181500		
072	345748-0	LOCK WASHER		1				
073	231316-4	COMPRESSION SPRING 7		1				
074	265701-9	THUMB SCREW M6X14		1				
075	419627-9	HOLDER		1				
076	265775-0	THUMB SCREW M4X3		1				
077-1	345977-5	PLATE		1				
078	253932-2	WAVE WASHER 10		1		84679900		
079	419621-1	SLIDE LEVER		1				
080	265775-0	THUMB SCREW M4X3		1				
081	419627-9	HOLDER		1				
082	231316-4	COMPRESSION SPRING 7		1				
083	265701-9	THUMB SCREW M6X14		1				
084	922232-8	HEX. SOCKET HEAD BOLT M5X20		1		73181500		
085	324709-3	LOCK PIN 8		1				

Item	Parts No.	Description	I/C	QTY	N/O	Opt. 1	Opt. 2	NOTE
086	233267-7	COMPRESSION SPRING 7		1		73209090		
087	419631-8	LOCK PLATE		1				
088-1	687124-5	STRAIN RELIEF		1		84679900		
089	265995-6	TAPPING SCREW 4X18		2		73181500		
090	631729-3	CONTROLLER		1				
091	213261-5	O RING 17		1		40169320		
092	418905-4	DIAL		1		84679900		
094	419622-9	SWITCH LEVER		1				
095	651922-3	SWITCH TG71B		1		85366990		
096	345745-6	LINK PLATE		1				
097	419629-5	LOCK OFF BUTTON		1				
098	233089-5	COMPRESSION SPRING 12		1		73209090		
099	265995-6	TAPPING SCREW 4X18		6		73181500		
100	911273-9	PAN HEAD SCREW M5X50		1		73181500		
101-3	862913-1	SP6000 NAME PLATE		1				
102	188197-6	HANDLE SET		1				
D10		INC. 55						
103	666216-3	POWER SUPPLY CORD 1.5-2-2.5		1		85442090		
104	682503-2	CORD GUARD 8-90		1		73182990		
105	419626-1	BAFFLE PLATE		1				
106	266044-2	TAPPING SCREW 5X60		2		73181500		
107	525743-8	FIELD ASS'Y 220-240V		1				
C10	654020-2	RING TERMINAL		2		73182990		
C20	654501-6	CONNECTOR P-1.25		2		73182990		
108	158094-0	MOTOR HOUSING COMPLETE		1				
C10	643708-9	BRUSH HOLDER 5-11		2		82078000		
109	911273-9	PAN HEAD SCREW M5X50		4		73181500		
110	191963-2	CARBON BRUSH CB-303		1		85452000		
111	643750-0	BRUSH HOLDER CAP 7-11		2		40169390		
112	267781-1	WAVE WASHER 7		1				
113	231372-4	COMPRESSION SPRING 5		1				
115	421479-6	RUBBER RING 19		1		40169390		
116	424047-4	PACKING		1				
117	424050-5	SPONGE		1				
118	443137-4	FELT		1				
122	213045-1	O-RING 6		2		40169320		
A01	B-07353	TCT SAW BLADE 165X20X48T		1		82029990		
A02	783203-8	HEX. WRENCH 5		1		82041120		
A03	165447-6	SUB BASE		1				