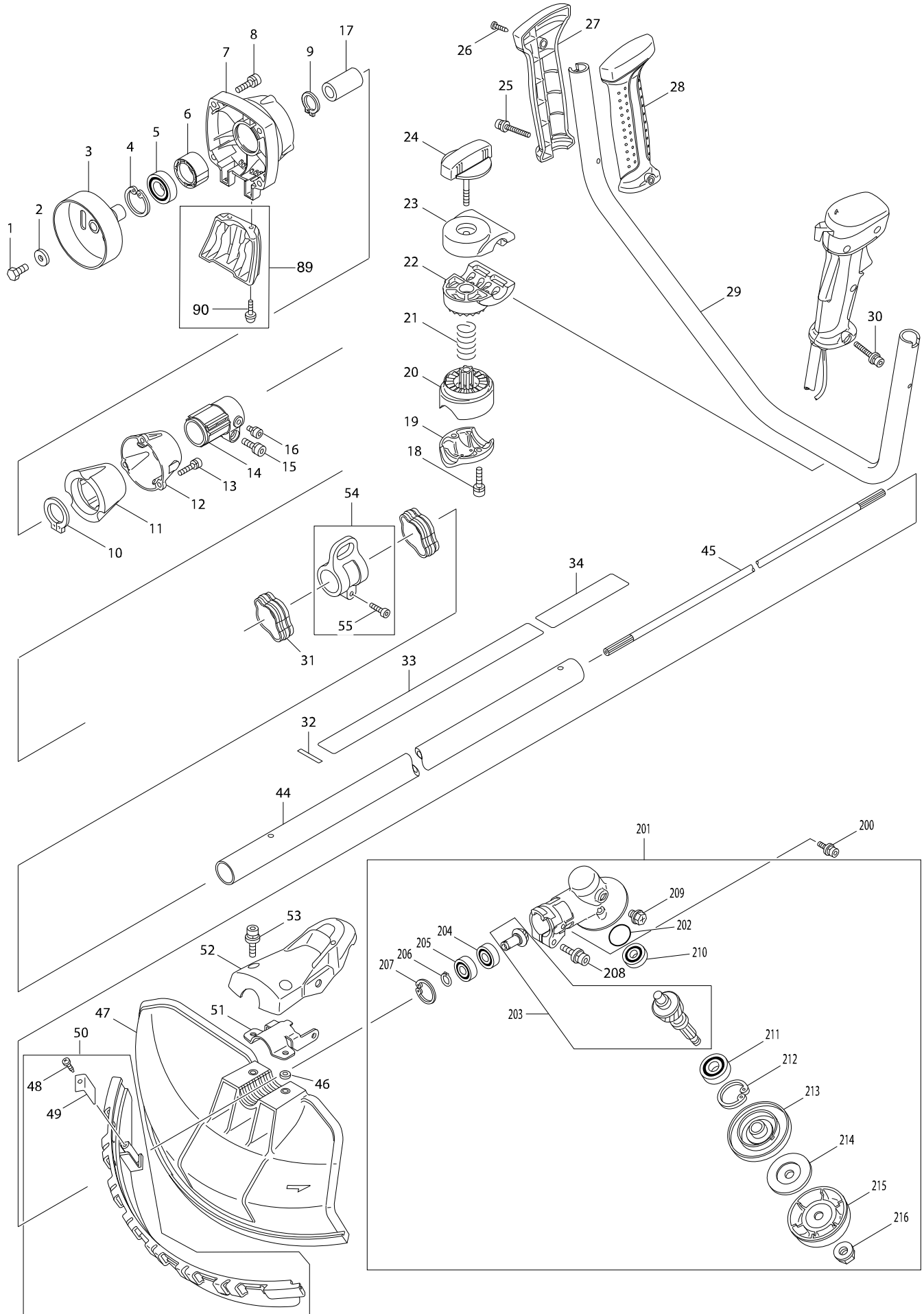
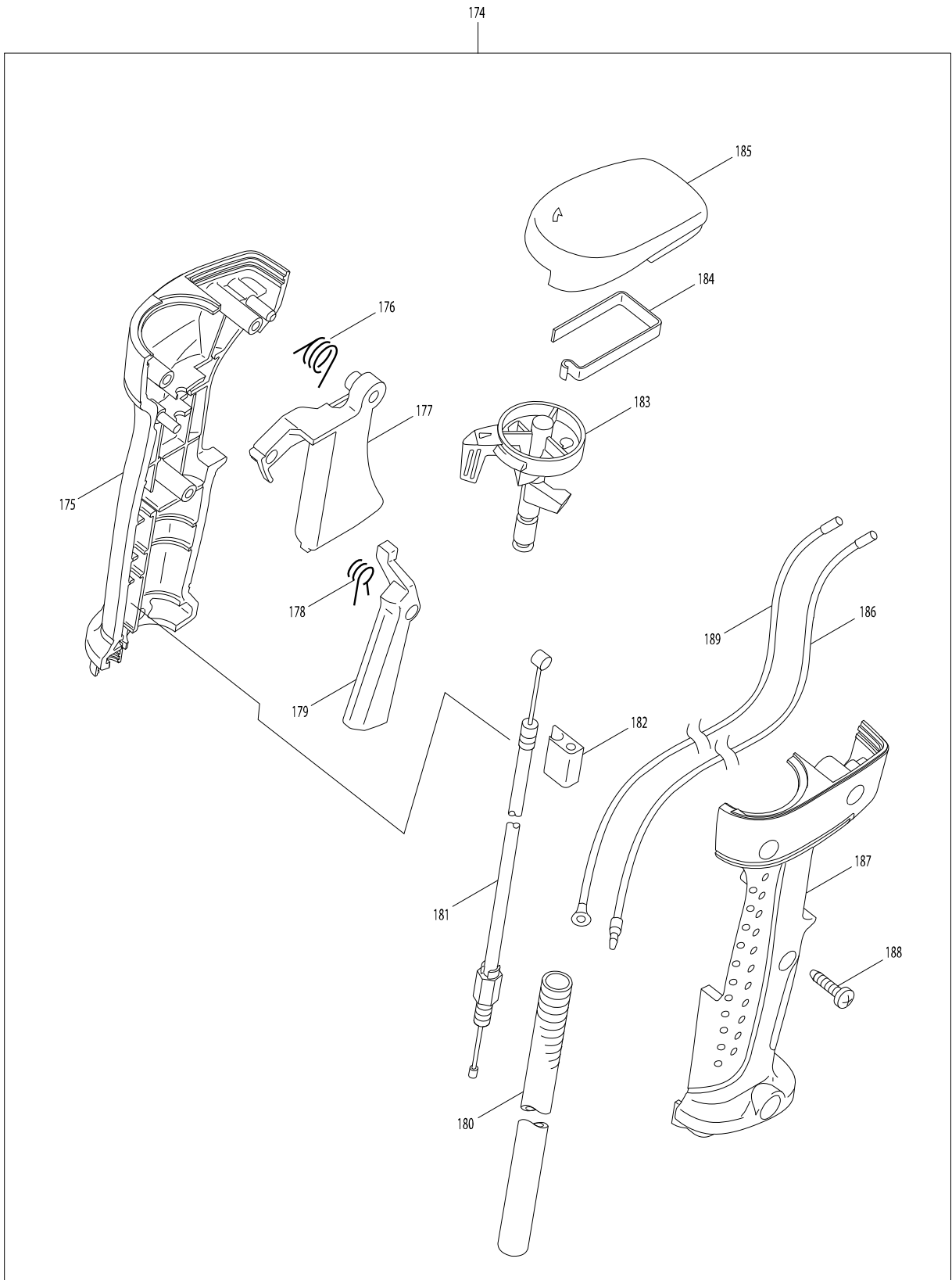


Model No. RBC414U PETROL BRUSH CUTTER



Model No. RBC414U PETROL BRUSH CUTTER



Model No. RBC414U PETROL BRUSH CUTTER

Model No. RBC414U PETROL BRUSH CUTTER

Item	Parts No.	Description	I/C	QTY	N/O	Opt. 1	Opt. 2	NOTE
001	266598-9	HEX. HEAD BOLT M6X14		1				
002	267429-5	FLAT WASHER 6		1				
003	141689-6	CLUTCH DRUM COMPLETE		1				
004	962153-2	RETAINING RING R-35		1				
005	210126-2	BALL BEARING 6003LLU		1				
006	451157-4	SPACER		1				
007	318421-5	CLUTCH CASE		1				
008	922331-6	HEX. SOCKET HEAD BOLT M6X20		4				
009	961057-5	RETAINING RING S-17		1				
010	961151-3	RETAINING RING S-32		1				
011	424204-4	DAMPER		1				
012	318453-2	PIPE RETAINER		1				
013	922231-0	HEX. SOCKET HEAD BOLT M5X20		3				
014	318454-0	PIPE BRACKET		1				
015	922331-6	HEX. SOCKET HEAD BOLT M6X20		1				
016	922201-9	HEX. SOCKET HEAD BOLT M5X8		1				
017	424403-8	DAMPER		1				
018	922341-3	HEX. SOCKET HEAD BOLT M6X25		2				
019	318422-3	PIPE CLAMP		1				
020	318423-1	PIPE HOLDER		1				
021	233202-5	COMPRESSION SPRING 20		1				
022	318424-9	HANDLE HOLDER		1				
023	318425-7	HANDLE CLAMP		1				
024	168796-0	KNOB 57		1				
025	922256-4	HEX. SOCKET HEAD BOLT M5X35		1				
026	266326-2	TAPPING SCREW 4X18		1				
027	188660-9	GRIP SET		1				
D10		INC. 28						
028	188660-9	GRIP SET		1				
D10		INC. 27						
029	331863-6	HANDLE 22		1				
030	922256-4	HEX. SOCKET HEAD BOLT M5X35		1				
031	451525-1	WIRE CLAMP		2	*			
031-1	451160-5	WIRE CLAMP	<	2	*			
031-2	455588-9	WIRE CLAMP	<	2				
032	814E64-6	SERIAL NO. LABEL		1				
034	819312-8	MAKITA LOGO LABEL		1				
044	142701-5	SHAFT PIPE COMPLETE		1				
C10	803W67-3	CAUTION LABEL		1				
C20	808723-2	CAUTION LABEL		1				
045	142144-1	SHAFT COMPLETE		1				
047	452259-9	PROTECTOR		1				
048	266326-2	TAPPING SCREW 4X18		1				
049	346074-0	CUTTER		1				
050	135398-7	PROTECTOR EXTENSION ASSY		1				
D10		INC. 48,49						
051	346642-9	PROTECTOR CLAMP		1				
053	922353-6	HEX.SOCKET HEAD BOLT M6X30		2				

Model No. RBC414U PETROL BRUSH CUTTER

Item	Parts No.	Description	I/C	QTY	N/O	Opt. 1	Opt. 2	NOTE
054	125558-9	HANGER ASSEMBLY		1				
D10		INC. 55						
055	922232-8	HEX. SOCKET HEAD BOLT M5X20		1				
056	266595-5	HEX. HEAD BOLT M5X14		2				
058	168586-1	FUEL TANK BRACKET ASSEMBLY		1	*			
058-1	455434-6	FUEL TANK BRACKET	S	1				
059	424335-9	BRACKET DAMPER		1	*			
059-1	424660-8	BRACKET DAMPER	S	1				
060	266894-5	SHOULDER HEX. BOLT M8		2				
061	267849-3	WAVE WASHER 10		2				
062	168622-3	CLUTCH SHOE		2				
063	231869-3	SPRING		2				
064	313197-9	HOLDER		1				
065	267428-7	FLAT WASHER 8		2				
066	267429-5	FLAT WASHER 6		1				
067	942151-2	SPRING WASHER 6		1				
068	266598-9	HEX. HEAD BOLT M6X14		1				
069	135558-1	CRANKCASE ASSEMBLY		1				
D10		INC. 70-75						
070	213546-9	OIL SEAL 15		1				
071	922251-4	HEX. SOCKET HEAD BOLT M5X30		4				
072	442157-5	CRANKCASE GASKET		1				
073	211483-1	BALL BEARING 6202		1				
074	211483-1	BALL BEARING 6202		1				
075	213546-9	OIL SEAL 15		1				
076	442160-6	LEAD VALVE GASKET		1				
077	126211-0	LEAD VALVE ASSEMBLY		1				
078	442189-2	INSULATOR GASKET		1				
079	453971-4	INSULATOR		1				
080	442190-7	CARBURETOR GASKET		1				
081	266793-1	HEX. S.H.B. M5X25 WITH WR		4				
082	922236-0	HEX. SOCKET HEAD BOLT M5X22		2				
083	168587-9	IGNITION COIL		1				
084	422059-1	TUBE		1				
085	266596-3	HEX. HEAD BOLT M6X16 WITH W		1				
086	142159-8	CRANKSHAFT COMPLETE		1				
087	267427-9	FLAT WASHER 7		1				
088	318632-2	FLYWHEEL		1				
089	195144-0	STAND SET		1				
D10		INC. 90						
090	911218-7	PAN HEAD SCREW M5X14		2				
091	254040-2	WOODRUFF KEY 3		1				
092	212085-6	NEEDLE CAGE1014		1				
093	233983-1	CLIP		1				
094	257797-4	PISTON PIN		1				
095	318631-4	PISTON		1				
096	233983-1	CLIP		1				
097	257309-3	PISTON RING		2				

Model No. RBC414U PETROL BRUSH CUTTER

Item	Parts No.	Description	I/C	QTY	N/O	Opt. 1	Opt. 2	NOTE
098	324891-8	PLUG CAP SPRING		1				
099	922327-7	HEX. SOCKET HEAD BOLT M6X18		4				
100	424337-5	PLUG CAP		1				
101	168588-7	SPARK PLUG		1				
102	452003-4	CYLINDER COVER		1				
103	911233-1	PAN HEAD SCREW M5X20		1	*			
103-1	0140059330	SCREW M5X20(W,SW)	<	1	*			
103-2	265A08-9	PAN HEAD SCREW M5X20	O	1				
104	911218-7	PAN HEAD SCREW M5X14		1	*			
104-1	266677-3	PAN HEAD SCREW M5X14	<	1				
105	318630-6	CYLINDER		1				
106	442156-7	CYLINDER GASKET		1				
107	168584-5	MUFFLER GASKET		1				
108	168589-5	EXHAUST MUFFLER		1				
109	266589-0	HEX. SOCKET HEAD BOLT M6X60		2				
110	911218-7	PAN HEAD SCREW M5X14		3	*			
110-1	266677-3	PAN HEAD SCREW M5X14	<	3				
111	451998-8	MUFFLER COVER		1				
112	452920-8	FUEL TANK CAP		1				
113	454559-3	FUEL TANK		1				
114	168765-1	TUBE COMPLETE		1				
115	168766-9	TUBE COMPLETE		1				
116	345920-4	HOSE CLAMP		3				
117	163447-0	GASOLINE FILTER		1				
118	424336-7	FUEL TANK DAMPER		1				
119	452002-6	BLOWER HOUSING		1				
120	266592-1	HEX. SOCKET HEAD BOLT M5X50		1				
121	941102-2	FLAT WASHER 5		1				
122	922236-0	HEX. SOCKET HEAD BOLT M5X22		2				
123	126364-5	RECOIL STARTER ASSEMBLY		1				
D10		INC. 124-129						
124	266634-1	SET SCREW M6X20		1				
125	SG00000019	STARTER ROPE		1				
126	452288-2	REEL		1				
127	SG00000018	SPIRAL SPRING		1				
128	424360-0	ROPE STOPPER		1				
129	424361-8	STARTER KNOB		1				
130	911218-7	PAN HEAD SCREW M5X14		4				
131	803S10-8	RBC414U MODEL NO. LABEL		1				
132	819967-9	SERIAL NO. LABEL		1				
133	125829-4	CLUTCH ASSEMBLY		1				
D10		INC. 60-65						
137	168856-8	CABURETOR		1				
D10		INC. 138-153,155-160						
138	325922-6	SWIVEL		1				
139	413140-9	WASHER		1				
140	266704-6	PAN HEAD SCREW M3X10		2				
141	453970-6	THROTTLE VALVE		1				

Model No. RBC414U PETROL BRUSH CUTTER

Item	Parts No.	Description	I/C	QTY	N/O	Opt. 1	Opt. 2	NOTE
144	346491-4	BRACKET CABLE		1				
145	257964-1	STOP RING E-3		1				
146	326211-2	HIGH SPEED NEEDLE		1				
147	WJ00098404	SPRING		1				
148	WJ00136152	WASHER		1				
149	WJ00016105	O RING		1				
150	424444-4	PACKING RING		1				
151	442172-9	PUMP GASKET		1				
152	168575-6	PUMP DIAPHRAGM		1				
153	140989-1	PUMP BODY ASSEMBLY		1				
D10		INC. 154						
154	352010-6	INLET SCREEN		1				
155	442154-1	METERING DIAPHRAGM GASKET		1				
156	168767-7	METALING DIAPHRAGM		1				
157	140988-3	AIR PURGE BODY ASSEMBLY		1				
158	424314-7	PRIMER PUMP		1				
159	346270-0	PRIMER PUMP COVER		1				
160	266582-4	TAPPING SCREW 3X24		4				
161	126212-8	AIR CLEANER ASSEMBLY		1				
D10		INC. 162-169						
162	453981-1	AIR CLEANER HOUSING		1				
163	346627-5	CHOKE VALVE		1				
164	332044-5	SLEEVE		2				
165	453983-7	CLEANER COVER CLIP		1				
166	424523-8	WASHER		1				
167	346626-7	PLATE		1				
168	443180-3	AIR FILTER		1				
169	453982-9	AIR CLEANER COVER		1				
170	266794-9	HEX. SOCKET HEAD BOLT M5X50		2				
171	800G01-8	INDICATION LABEL		1				
174	126447-1	CONTRLR LEVER ASSEMBLY		1				
D10		INC. 175-189						
175	188657-8	LEVER CASE SET		1	*			
D10		INC. 187			*			
175-1	183A09-4	LEVER CASE SET	S	1				
D10		INC. 187						
176	233540-5	TORSION SPRING 11		1				
177	451084-5	THROTTLE LEVER		1				
178	233541-3	TORSION SPRING 7		1				
179	451083-7	LOCK OFF LEVER		1				
180	451213-0	CORRUGATE TUBE		1				
181	168846-1	CONTROLL CABLE		1				
182	451081-1	CABLE HOLDER		1				
183	451500-7	SWITCH LEVER		1				
184	232251-9	LEAF SPRING		1				
185	451253-8	SWITCH COVER		1	*			
185-1	455723-9	SWITCH COVER	S	1				
186	632A46-0	LEAD UNIT		1				

Model No. RBC414U PETROL BRUSH CUTTER

Item	Parts No.	Description	I/C	QTY	N/O	Opt. 1	Opt. 2	NOTE
187	188657-8	LEVER CASE SET		1	*			
D10		INC. 175			*			
187-1	183A09-4	LEVER CASE SET	S	1				
D10		INC. 175						
188	266326-2	TAPPING SCREW 4X18		3				
189	632A47-8	LEAD UNIT		1				
200	922218-2	H.S.H.BOLT M5X14 WITH WR		2				
201	126310-8	GEAR CASE ASSEMBLY		1				
D10		INC. 202-216						
202	213459-4	O RING 32		1				
203	187644-4	CUTTER SHAFT SET		1				
204	211064-1	BALL BEARING 6000		1				
205	211062-5	BALL BEARING 6000ZZ		1				
206	961006-2	RETAINING RING S-10		1				
207	962105-3	RETAINING RING R-26		1				
208	922353-6	HEX.SOCKET HEAD BOLT M6X30		1				
209	265590-2	+HEX.BOLT M8X10 WITH R		1				
210	210081-8	BALL BEARING 629ZZ		1				
211	210116-5	BALL BEARING 6201LLU		1				
212	962151-6	RETAINING RING R-32		1				
213	332114-0	RECEIVE WASHER		1				
214	346355-2	CLAMP WASHER		1				
215	168526-9	CUP		1				
216	264025-0	HEX. NUT M10-17		1				
218	804K21-8	MAKITA LOGO LABEL		1				
A01	125520-4	BAND ASSEMBLY		1				
A02	122931-4	NYLON HEAD		1				
A03	782235-2	WRENCH 17-19		1				
A05	783223-2	HEX. WRENCH 4		1				
A06	783232-1	HEX. WRENCH 5		1				
A07	831304-7	ACCESSORY BAG		1				
A08	196051-0	PROTECTOR SET		1				
C10	453874-2	PROTECTOR		1				
C20	346642-9	PROTECTOR CLAMP		1				
C30	922328-5	H.S.H.BOLT M6X18 WITH WR		2				
A09	195624-6	CUTTER BLADE 305 SET		1				