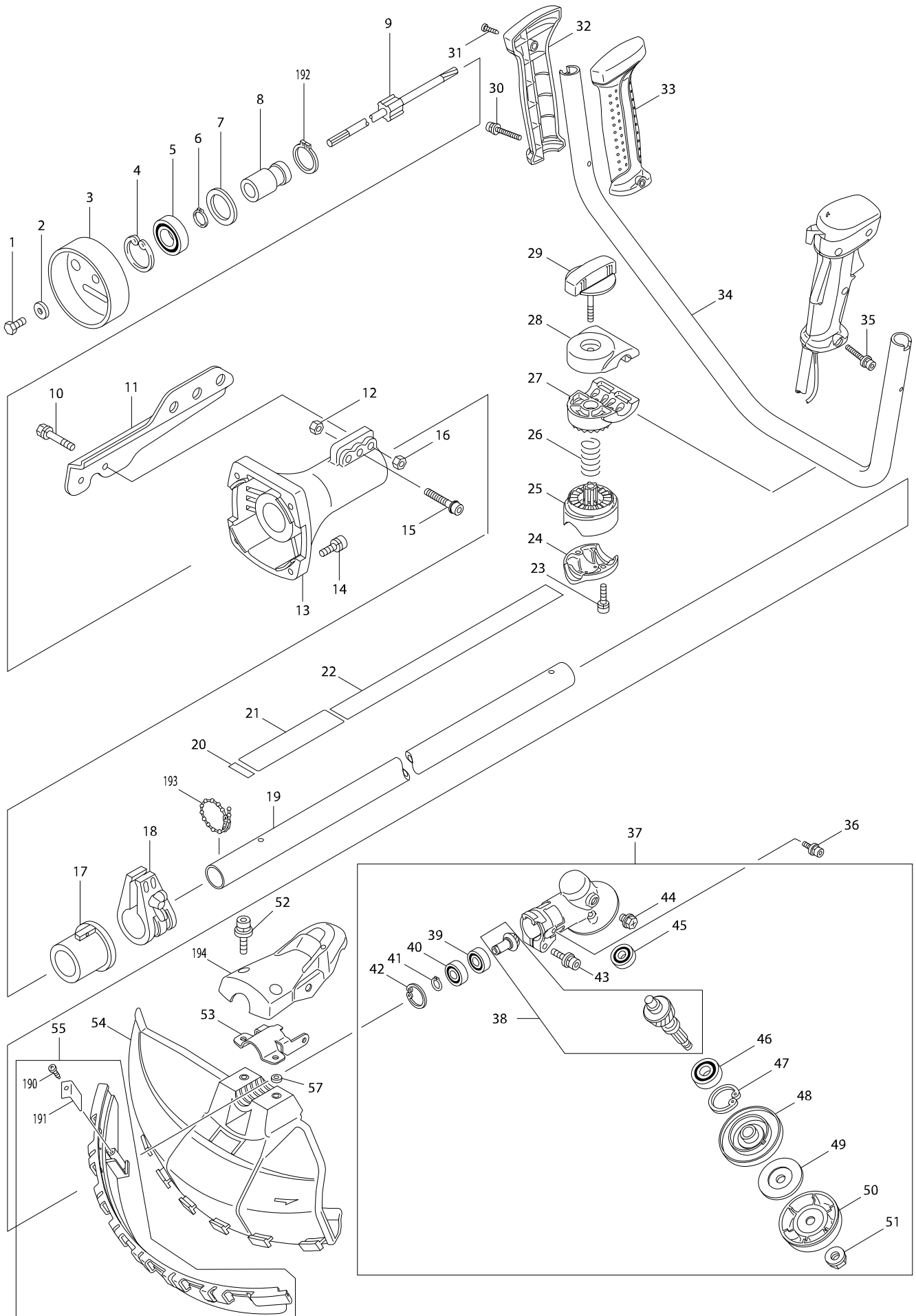
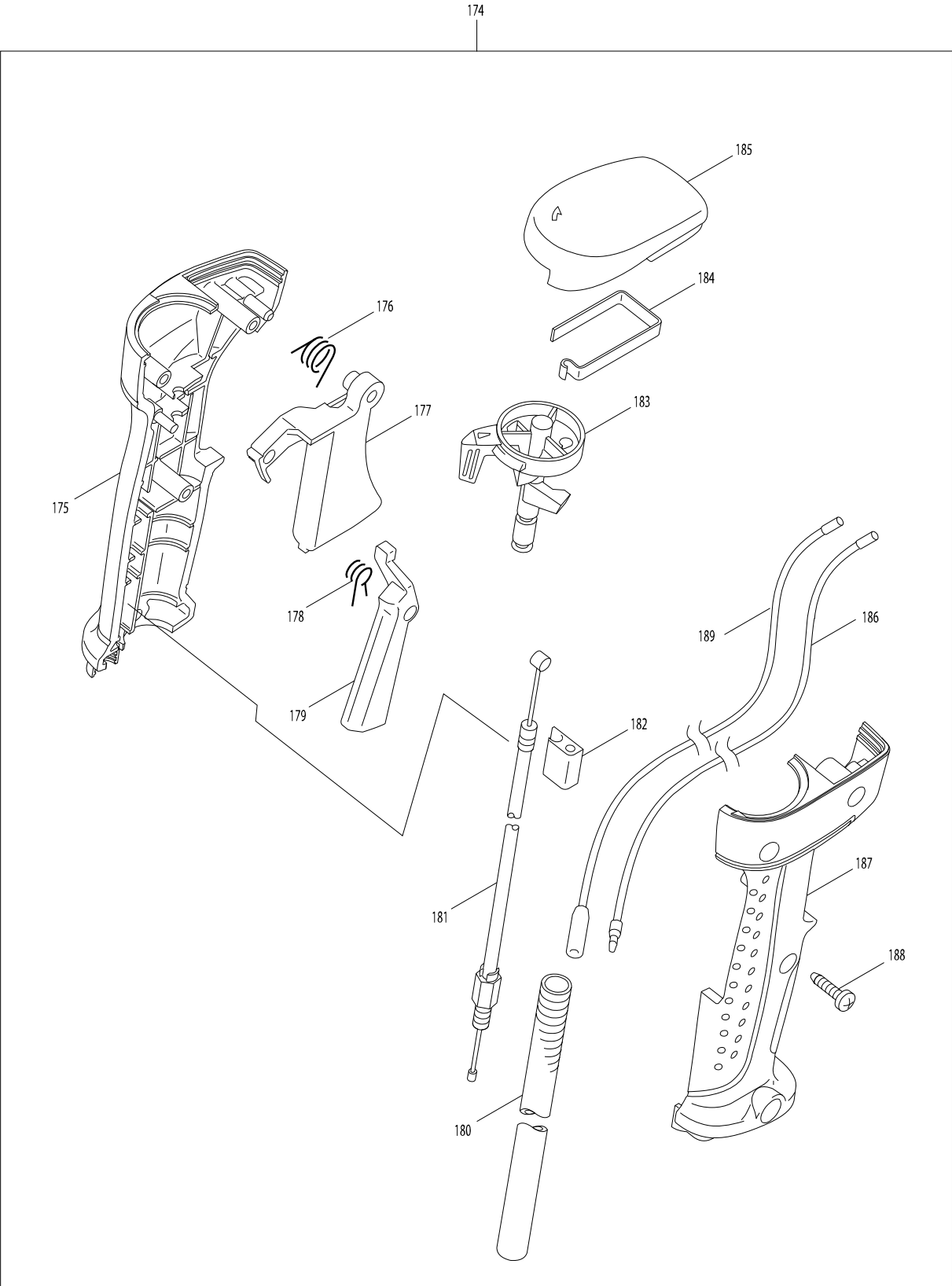


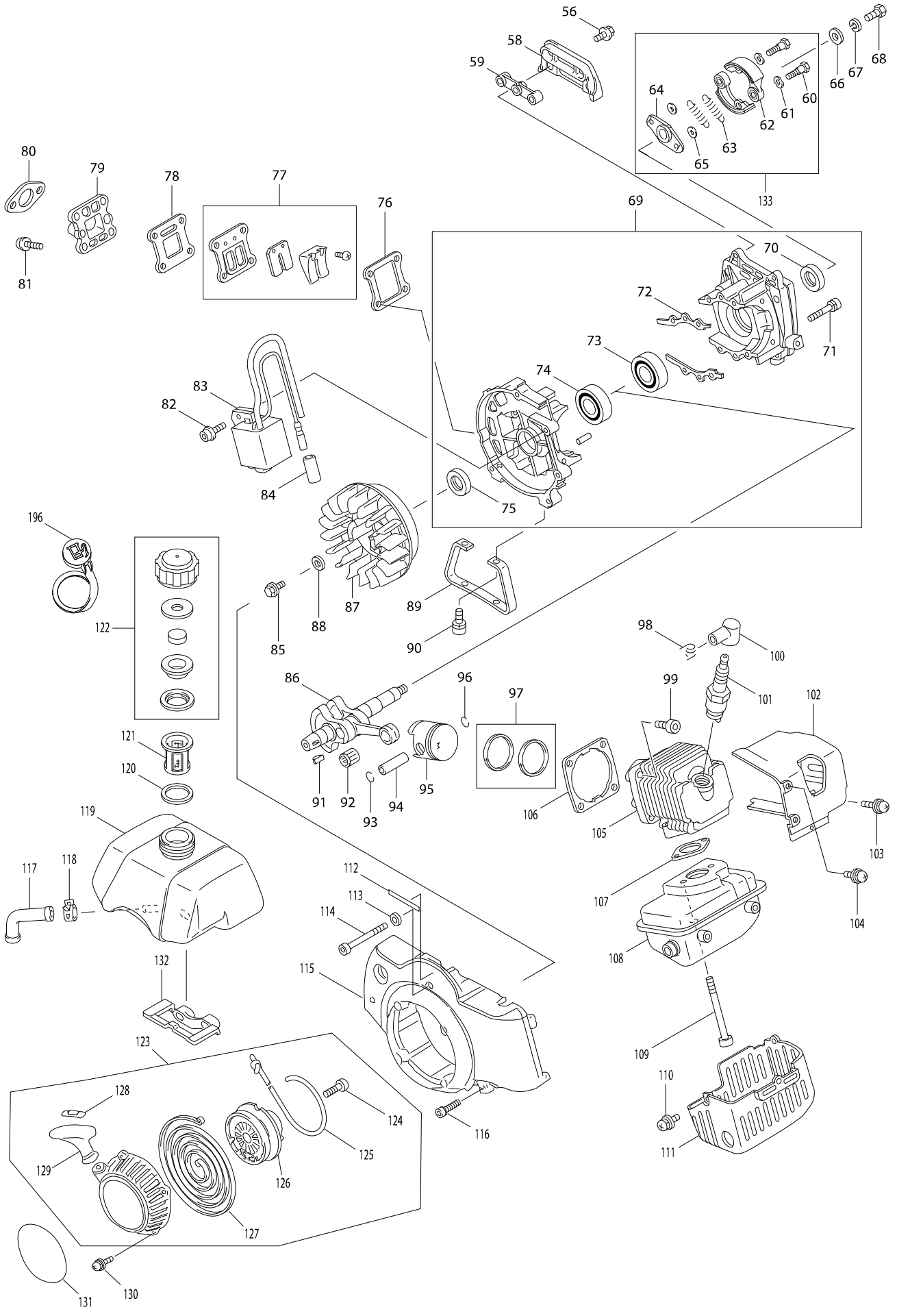
# Model No. RBC412U PETROL BRUSHCUTTER



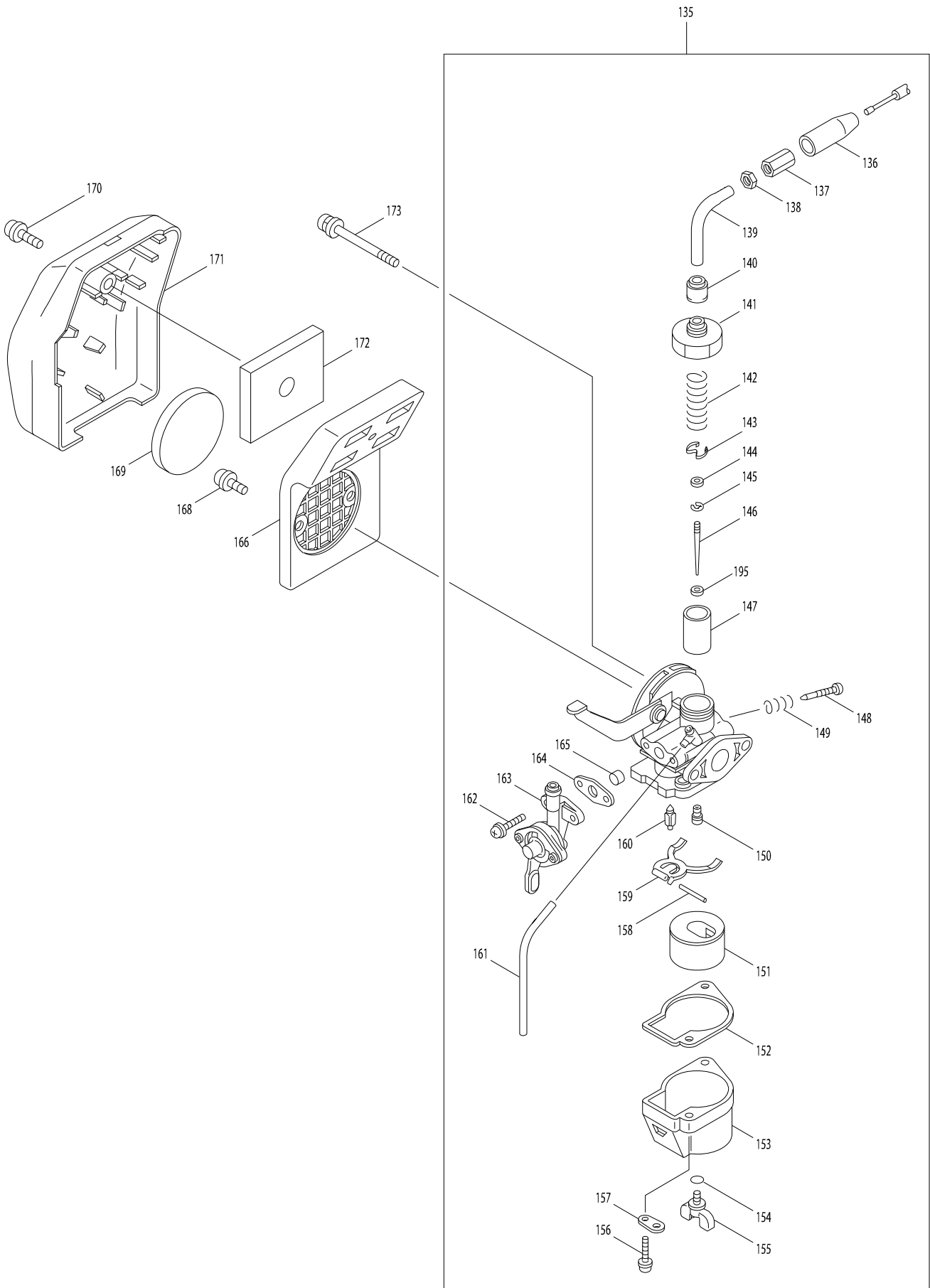
Model No. RBC412U PETROL BRUSHCUTTER



# Model No. RBC412U PETROL BRUSHCUTTER



# Model No. RBC412U PETROL BRUSHCUTTER



# Model No. RBC412U PETROL BRUSHCUTTER

Item	Parts No.	Description	I/C	QTY	N/O	Opt. 1	Opt. 2	NOTE
001	266598-9	HEX. HEAD BOLT M6X14		1				
002	267429-5	FLAT WASHER 6		1				
003	141689-6	CLUTCH DRUM COMPLETE		1				
004	962153-2	RETAINING RING R-35		1				
005	210126-2	BALL BEARING 6003LLU		1				
006	961057-5	RETAINING RING S-17		1				
007	267445-7	WASHER 24.5		1				
008	424403-8	DAMPER		1				
009	142144-1	SHAFT COMPLETE		1				
010	922353-6	HEX.SOCKET HEAD BOLT M6X30		2				
011	346356-0	HANGER		1				
012	931302-2	HEX. NUT M6		1				
013	140628-3	CLUTCH CASE COMPLETE		1				
014	922336-6	HEX. SOCKET HEAD BOLT M6X22		4				
015	922358-6	H.S.H.BOLT M6X35 WITH WR		1				
016	931302-2	HEX. NUT M6		2				
017	452287-4	STOPPER		1				
018	140629-1	STOPPER COMPLETE		1				
C10	941151-9	FLAT WASHER 6		1				
019	142069-9	SHAFT PIPE COMPLETE		1				
C10	808723-2	CAUTION LABEL		1				
D10		INC. 22						
020	814L23-2	SERIAL NO. LABEL		1	*			
020-1	814E64-6	SERIAL NO. LABEL	<	1				
021	819312-8	MAKITA LOGO LABEL		1				
022	801G14-2	CAUTION LABEL		1				
023	922341-3	HEX. SOCKET HEAD BOLT M6X25		2				
024	318422-3	PIPE CLAMP		1				
025	318423-1	PIPE HOLDER		1				
026	233202-5	COMPRESSION SPRING 20		1				
027	318424-9	HANDLE HOLDER		1				
028	318425-7	HANDLE CLAMP		1				
029	168796-0	KNOB 57		1				
030	922256-4	HEX. SOCKET HEAD BOLT M5X35		1				
031	266326-2	TAPPING SCREW 4X18		1				
032	188660-9	GRIP SET		1				
D10		INC. 33						
033	188660-9	GRIP SET		1				
D10		INC. 32						
034	331863-6	HANDLE 22		1				
035	922256-4	HEX. SOCKET HEAD BOLT M5X35		1				
036	922218-2	H.S.H.BOLT M5X14 WITH WR		2				
037	126310-8	GEAR CASE ASSEMBLY		1				
C10	213459-4	O RING 32		1				
D10		INC. 38-51						
038	187644-4	CUTTER SHAFT SET		1				
039	211064-1	BALL BEARING 6000		1				
040	211062-5	BALL BEARING 6000ZZ		1				

# Model No. RBC412U PETROL BRUSHCUTTER

Item	Parts No.	Description	I/C	QTY	N/O	Opt. 1	Opt. 2	NOTE
041	961006-2	RETAINING RING S-10		1				
042	962105-3	RETAINING RING R-26		1				
043	922353-6	HEX.SOCKET HEAD BOLT M6X30		1				
044	265590-2	+HEX.BOLT M8X10 WITH R		1				
045	210081-8	BALL BEARING 629ZZ		1				
046	210116-5	BALL BEARING 6201LLU		1				
047	962151-6	RETAINING RING R-32		1				
048	331860-2	RECEIVE WASHER		1	*			
048-1	332114-0	RECEIVE WASHER	<	1				
049	346355-2	CLAMP WASHER		1				
050	168526-9	CUP		1				
051	264025-0	HEX. NUT M10-17		1				
052	922353-6	HEX.SOCKET HEAD BOLT M6X30		2				
053	346642-9	PROTECTOR CLAMP		1				
054	452259-9	PROTECTOR		1				
055	135398-7	PROTECTOR EXTENSION ASSY		1				
D10		INC. 190,191						
056	266595-5	HEX. HEAD BOLT M5X14		2				
058	168586-1	FUEL TANK BRACKET ASSEMBLY		1	*			
058-1	455434-6	FUEL TANK BRACKET	S	1				
059	424335-9	BRACKET DAMPER		1	*			
059-1	424660-8	BRACKET DAMPER	S	1				
060	266597-1	SHOULDER HEX. BOLT M8		2	*			
060-1	266894-5	SHOULDER HEX. BOLT M8	O	2				
061	267849-3	WAVE WASHER 10		2				
062	168622-3	CLUTCH SHOE		2				
063	231869-3	SPRING		2				
064	313197-9	HOLDER		1				
065	267428-7	FLAT WASHER 8		2				
066	267429-5	FLAT WASHER 6		1				
067	942151-2	SPRING WASHER 6		1				
068	266598-9	HEX. HEAD BOLT M6X14		1				
069	135558-1	CRANKCASE ASSEMBLY		1				
D10		INC. 70-75						
070	213546-9	OIL SEAL 15		1				
071	922251-4	HEX. SOCKET HEAD BOLT M5X30		4				
072	442157-5	CRANKCASE GASKET		1				
073	211483-1	BALL BEARING 6202		1				
074	211483-1	BALL BEARING 6202		1				
075	213546-9	OIL SEAL 15		1				
076	442160-6	LEAD VALVE GASKET		1				
077	125796-3	LEAD VALVE ASSEMBLY		1				
078	442158-3	INSULATOR GASKET		1				
079	451999-6	INSULATOR ASSEMBLY		1				
080	442159-1	CARBURETOR GASKET		1				
081	266590-5	HEX.S.HEAD BOLT M5X20 WITH WR		4	*			
081-1	266903-0	HEX.S.HEAD BOLT M5X20 WITH WR	<	4				
082	922236-0	HEX. SOCKET HEAD BOLT M5X22		2				

# Model No. RBC412U PETROL BRUSHCUTTER

Item	Parts No.	Description	I/C	QTY	N/O	Opt. 1	Opt. 2	NOTE
083	168587-9	IGNITION COIL		1				
C10	140885-3	WIRE COMPLETE		1				
084	422059-1	TUBE		1				
085	266596-3	HEX. HEAD BOLT M6X16 WITH W		1				
086	125795-5	CRANKSHAFT ASSEMBLY		1	*			
086-1	142159-8	CRANKSHAFT COMPLETE	O	1				
087	318632-2	FLYWHEEL		1				
088	267427-9	FLAT WASHER 7		1				
089	346286-5	STAND		1				
090	922316-2	HEX. SOCKET HEAD BOLT M6X14		2				
091	254040-2	WOODRUFF KEY 3		1				
092	212085-6	NEEDLE CAGE1014		1				
093	233983-1	CLIP		1				
094	257797-4	PISTON PIN		1				
095	318631-4	PISTON		1				
096	233983-1	CLIP		1				
097	257309-3	PISTON RING		2				
098	324891-8	PLUG CAP SPRING		1				
099	922327-7	HEX. SOCKET HEAD BOLT M6X18		4				
100	424337-5	PLUG CAP		1				
101	168588-7	SPARK PLUG		1				
102	452003-4	CYLINDER COVER		1				
103	911233-1	PAN HEAD SCREW M5X20		1	*			
103-1	0140059330	SCREW M5X20(W,SW)	<	1	*			
103-2	265A08-9	PAN HEAD SCREW M5X20	O	1				
104	911218-7	PAN HEAD SCREW M5X14		1	*			
104-1	266677-3	PAN HEAD SCREW M5X14	<	1				
105	318630-6	CYLINDER		1				
106	442156-7	CYLINDER GASKET		1				
107	168584-5	MUFFLER GASKET		1				
108	168589-5	EXHAUST MUFFLER		1				
109	266589-0	HEX. SOCKET HEAD BOLT M6X60		2				
110	911218-7	PAN HEAD SCREW M5X14		3	*			
110-1	266677-3	PAN HEAD SCREW M5X14	<	3				
111	451998-8	MUFFLER COVER		1				
112	819967-9	SERIAL NO. LABEL		1				
113	941102-2	FLAT WASHER 5		1				
114	266592-1	HEX. SOCKET HEAD BOLT M5X50		1				
115	452002-6	BLOWER HOUSING		1				
116	922236-0	HEX. SOCKET HEAD BOLT M5X22		2				
117	422060-6	FUEL TUBE		1				
118	346285-7	HOSE CLAMP		1				
119	452004-2	FUEL TANK		1				
120	423412-4	GASKET		1				
121	168585-3	FUEL FILTER		1				
122	125799-7	FUEL TANK CAP ASSEMBLY		1				
123	126108-3	RECOIL STARTER ASSEMBLY		1	*			
D10		INC. 124-129			*			

# Model No. RBC412U PETROL BRUSHCUTTER

Item	Parts No.	Description	I/C	QTY	N/O	Opt. 1	Opt. 2	NOTE
123-1	126364-5	RECOIL STARTER ASSEMBLY	O	1				
D10		INC. 124-129						
124	266634-1	SET SCREW M6X20		1	*			
124-1	266634-1	SET SCREW M6X20	O	1				
125	444027-4	STARTER ROPE		1	*			
125-1	SG00000019	STARTER ROPE	X	1				
126	453466-7	REEL		1	*			
126-1	452288-2	REEL	X	1				
127	232262-4	SPIRAL SPRING		1	*			
127-1	SG00000018	SPIRAL SPRING	X	1				
128	424360-0	ROPE STOPPER		1	*			
128-1	424360-0	ROPE STOPPER	O	1				
129	424361-8	STARTER KNOB		1	*			
129-1	424361-8	STARTER KNOB	O	1				
130	911218-7	PAN HEAD SCREW M5X14		4				
131	801A86-1	RBC412U MODEL NO. LABEL		1				
132	424336-7	FUEL TANK DAMPER		1				
133	125829-4	CLUTCH ASSEMBLY		1	*			
D10		INC. 60-65			*			
133-1	125829-4	CLUTCH ASSEMBLY	O	1				
D10		INC. 60-65						
135	168590-0	CARBURETOR		1				
D10		INC. 136-165						
136	286290-1	CAP		1				
137	325997-5	ADJUSTER CABLE		1				
138	264045-4	NUT		1				
139	331923-4	CABLE GUIDE		1				
140	286291-9	CAP		1				
141	286035-7	MIXING CAP		1				
142	234199-1	SPRING		1				
143	346348-9	SPRING PLATE		1				
144	452279-3	PACKING		2				
145	259049-9	E-RING		1				
146	325998-3	JET NEEDLE		1				
147	318666-5	PISTON VALVE		1				
148	266632-5	ADJUST SCREW		1				
149	234198-3	SPRING		1				
150	325999-1	MAIN JET		1				
151	452280-8	FLOAT		1				
152	442162-2	GASKET		1				
153	318667-3	FLOAT BODY		1				
154	213590-6	O RING		1				
155	265793-8	WING BOLT M5X5		1				
156	266633-3	PAN HEAD SCREW M4X16		2				
157	346349-7	PLATE		1				
158	268270-9	STRAIGHT PIN		1				
159	346350-2	FLOAT ARM		1				
160	163519-1	NEEDLE		1				



# Model No. RBC412U PETROL BRUSHCUTTER

Item	Parts No.	Description	I/C	QTY	N/O	Opt. 1	Opt. 2	NOTE
161	422069-8	HOSE		1				
162	266619-7	PAN HEAD SCREW		2				
163	140633-0	COCK BODY COMPLETE		1				
164	442163-0	GASKET		1				
165	352011-4	FILTER		1				
166	452000-0	AIR CLEANER PLATE		1				
168	266591-3	PAN HEAD SCREW M5X14		2				
169	443161-7	ELEMENT		1				
170	911233-1	PAN HEAD SCREW M5X20		1				
171	452001-8	AIR CLEANER COVER		1				
172	443162-5	AIR CLEANER ELEMENT		1				
173	266594-7	PAN HEAD SCREW M5X58 WITH WR		2				
174	126232-2	CONTROL LEVER ASSEMBLY		1				
D10		INC. 175-189						
175	188657-8	LEVER CASE SET		1	*			
D10		INC. 187			*			
175-1	183A09-4	LEVER CASE SET	S	1				
D10		INC. 187						
176	233540-5	TORSION SPRING 11		1				
177	451084-5	THROTTLE LEVER		1				
178	233541-3	TORSION SPRING 7		1				
179	451083-7	LOCK OFF LEVER		1				
180	451213-0	CORRUGATE TUBE		1				
181	168778-2	CONTROL CABLE		1				
182	451081-1	CABLE HOLDER		1				
183	451500-7	SWITCH LEVER		1				
184	232251-9	LEAF SPRING		1				
185	451253-8	SWITCH COVER		1	*			
185-1	455723-9	SWITCH COVER	S	1				
186	632A46-0	LEAD UNIT		1				
187	188657-8	LEVER CASE SET		1	*			
D10		INC. 175			*			
187-1	183A09-4	LEVER CASE SET	S	1				
D10		INC. 175						
188	266326-2	TAPPING SCREW 4X18		3				
189	632A47-8	LEAD UNIT		1				
190	266326-2	TAPPING SCREW 4X18		1				
191	346074-0	CUTTER		1				
192	257974-8	RETAINING RING (EXT)28		1				
193	452193-3	CLAMP		1				
A01	125802-4	BAND ASSEMBLY		1				
C10	326000-5	HOOK		1	*			
C11	165692-3	HOOK	O	1				
A02	122931-4	NYLON HEAD		1				
A03	782235-2	WRENCH 17-19		1				
A04	783223-2	HEX. WRENCH 4		1				
A05	783232-1	HEX. WRENCH 5		1				
A06	831304-7	ACCESSORY BAG		1				

