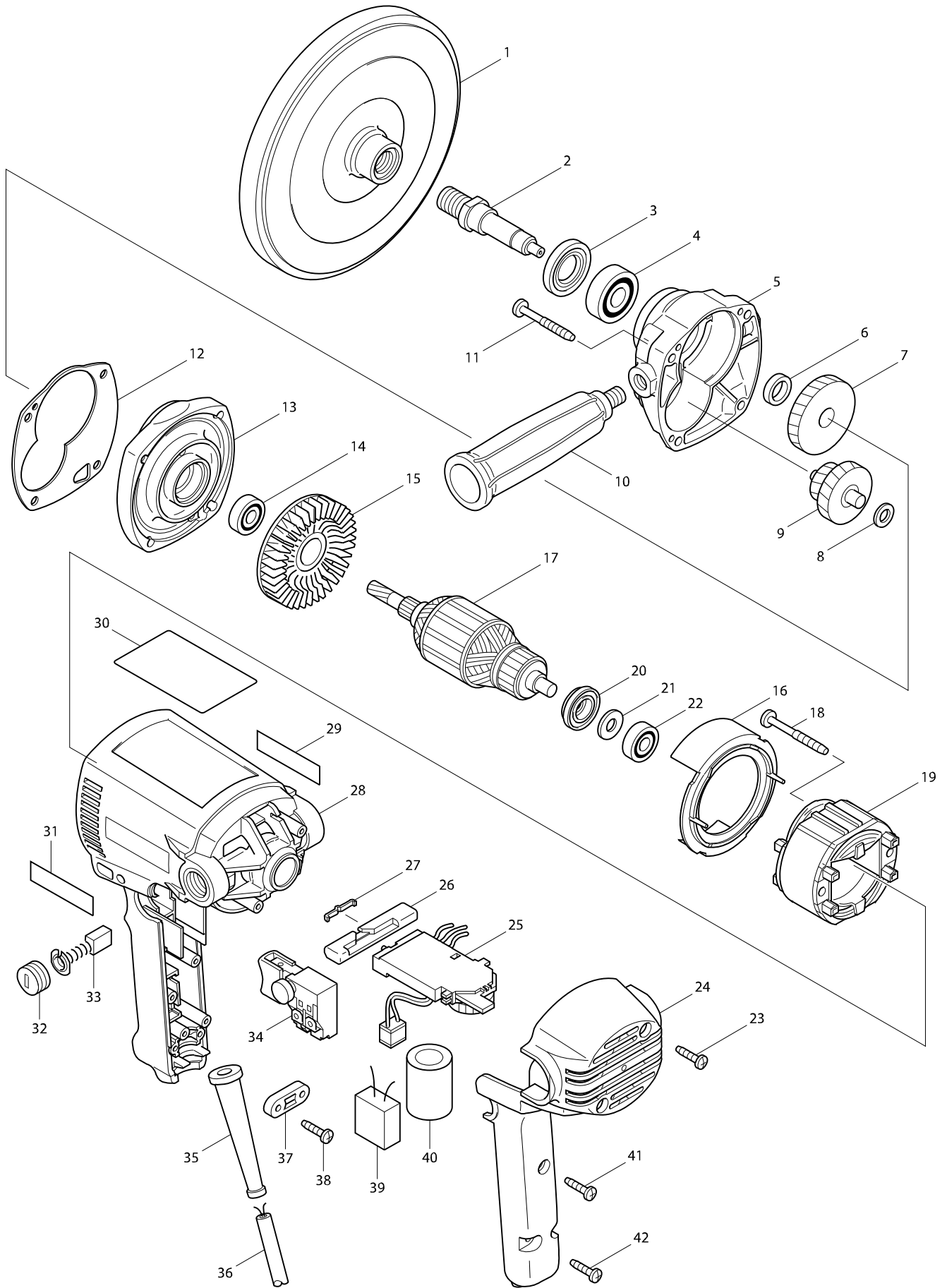


Model No. PV7000C POLISER 180MM



Model No. PV7000C POLISHER 180MM

Item	Parts No.	Description	I/C	QTY	N/O	Opt. 1	Opt. 2	NOTE
001	743053-3	PAD 165		1				
002	324079-0	SPINDLE		1				
003	152690-6	BEARING RETAINER COMPLETE		1				
C10	213209-7	OIL SEAL 16		1				
004	211129-9	BALL BEARING 6201DDW		1				
005-1	153318-9	GEAR HOUSING COMPLETE		1				
C10	210018-5	BALL BEARING 626		1				
006	257707-1	SLEEVE 12		1				
007	226536-3	HELICAL GEAR 43		1				
008	253215-0	FLAT WASHER 8		1				
009	226141-6	GEAR COMPLETE 21-44		1				
010	273649-1	GRIP 34		1				
011	266211-9	TAPPING SCREW 5X40		4				
012-1	417837-2	GASKET		1				
013-1	153319-7	GEAR HOUSING COVER COMPLETE		1				
C10	212016-5	NEEDLE BEARING 609		1				
C20	214028-4	PLANE BEARING 8		1				
014	210005-4	BALL BEARING 608DDW		1				
015	240020-4	FAN 65		1				
016-1	419721-7	BAFFLE PLATE		1				
017	516433-4	ARMATURE ASS'Y 220-240V		1				
D10		INC. 14,15,20-22						
018	266056-5	TAPPING SCREW 5X45		2				
019B_	594388-3	FIELD ASS'Y 220-240V		1				
C10	654020-2	RING TERMINAL		1				
C20	654501-6	CONNECTOR P-1.25		1				
020	681660-3	INSULATION WASHER		1				
021	253139-0	FLAT WASHER 8		1				
022	210005-4	BALL BEARING 608DDW		1				
023	265995-6	TAPPING SCREW 4X18		2				
024	417450-6	HANDLE COVER		1				
025	631427-9	CONTROLLER		1				
026	417449-1	LEVER		1				
027	232201-4	LEAF SPRING		1				
028	183300-4	MOTOR HOUSING SET		1				
D10		INC. 29,31						
029	819063-3	MAKITA LABEL		1				
030	852814-1	NAME PLATE PV7000C		1				
031	819063-3	MAKITA LABEL		1				
032	643750-0	BRUSH HOLDER CAP 7-11		2				
033	191963-2	CARBON BRUSH CB-303		1				
034B_	651284-9	SWITCH SGEL115CDY-6		1				
035	682559-5	CORD GUARD 8		1				
036E_	666066-6	POWER SUPPLY CORD 1.0-2-2.5		1				
037	687063-9	CORD CLAMP		1				
038	265995-6	TAPPING SCREW 4X18		2				
041	265995-6	TAPPING SCREW 4X18		1				
042	265995-6	TAPPING SCREW 4X18		2				

