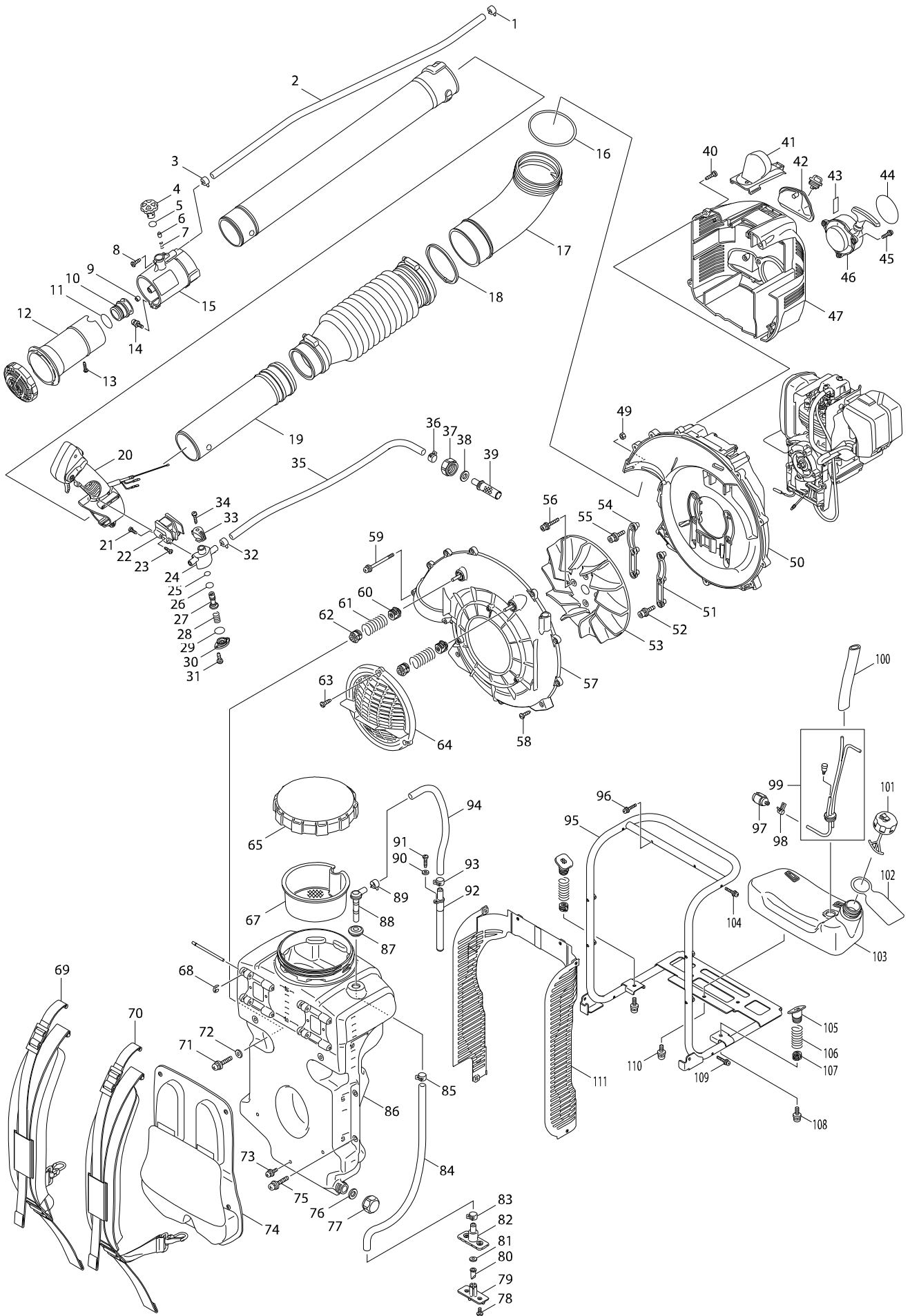
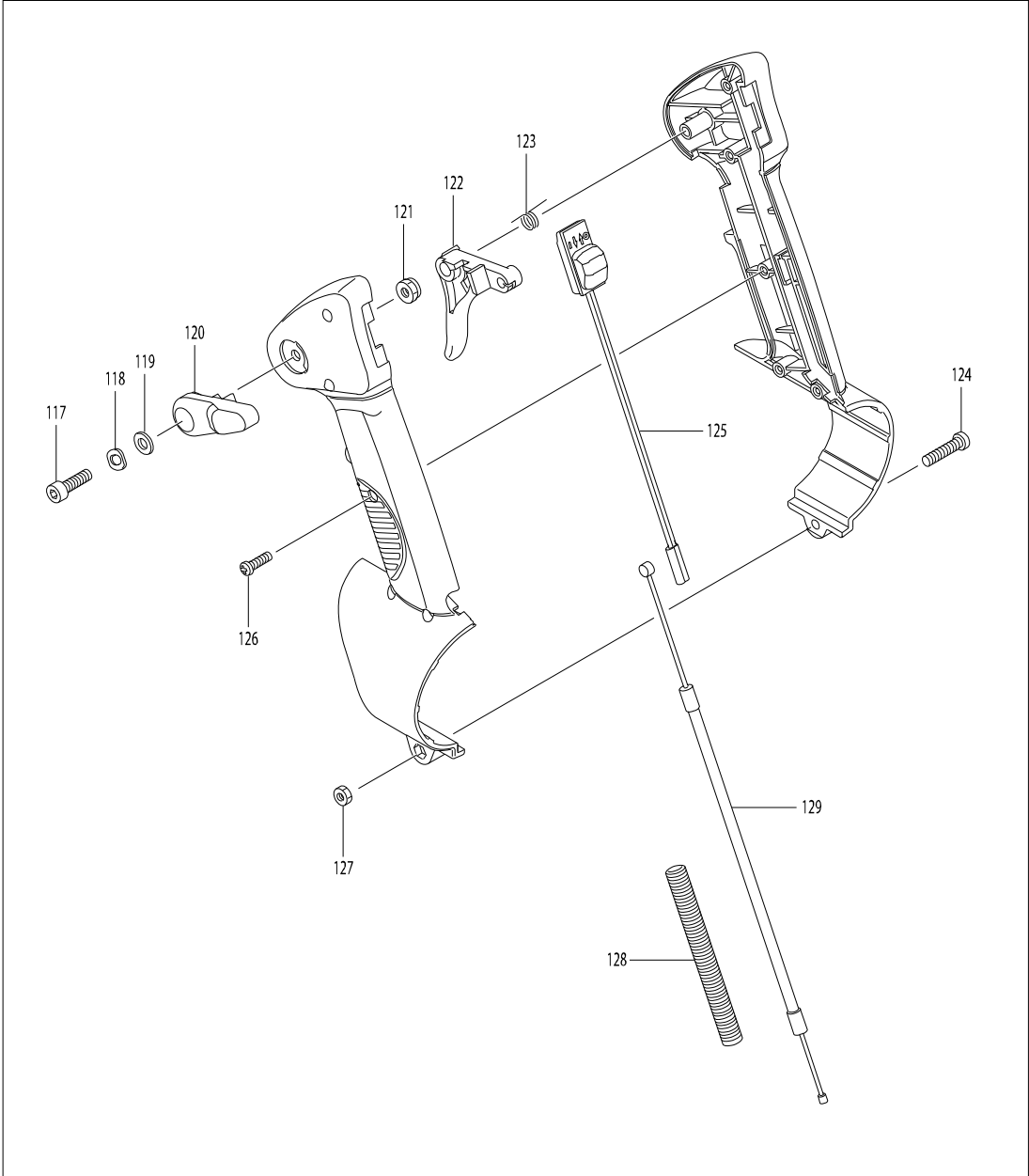


# Model No. PM7650H PETROL MIST BLOWER

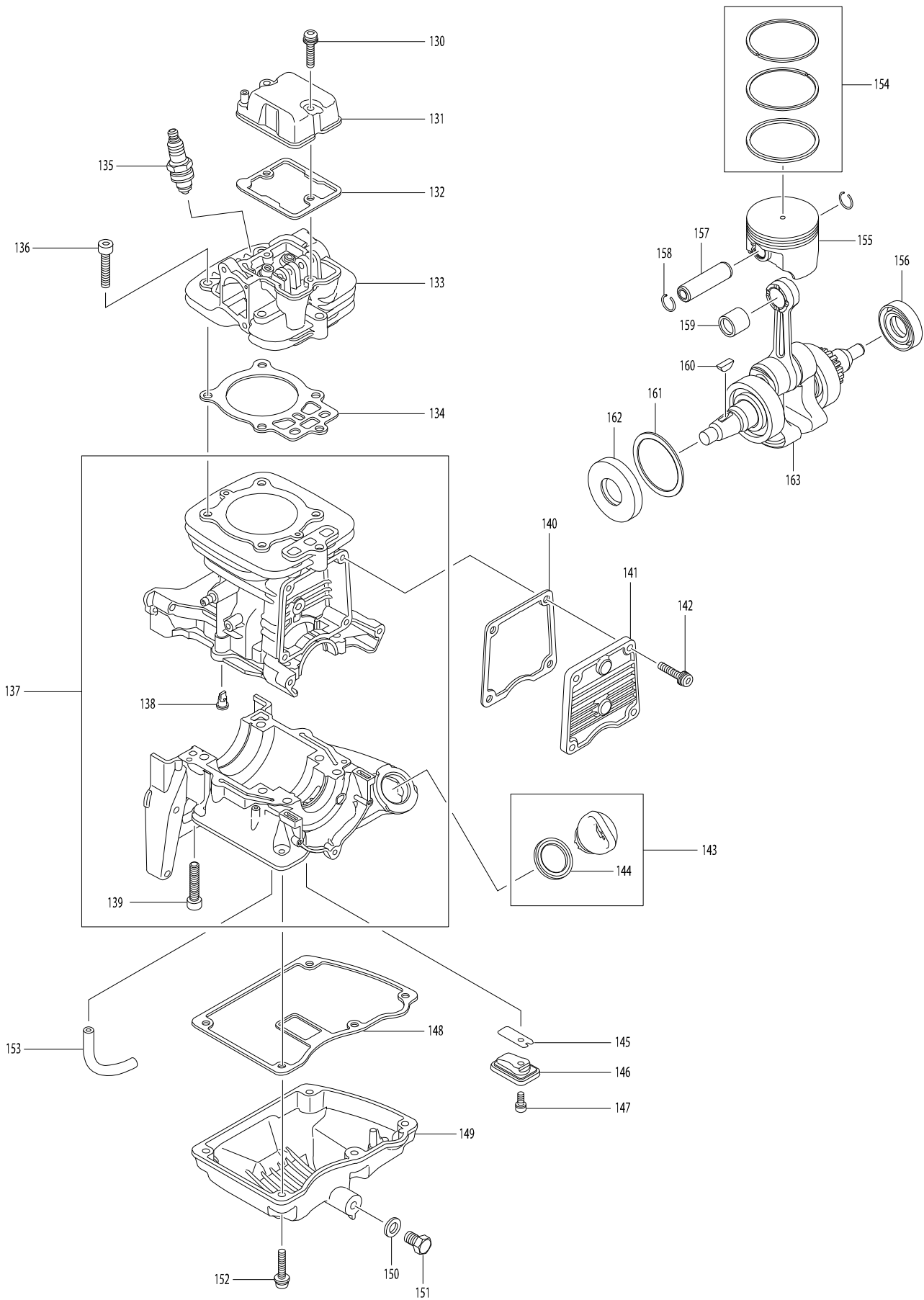


Model No. PM7650H PETROL MIST BLOWER

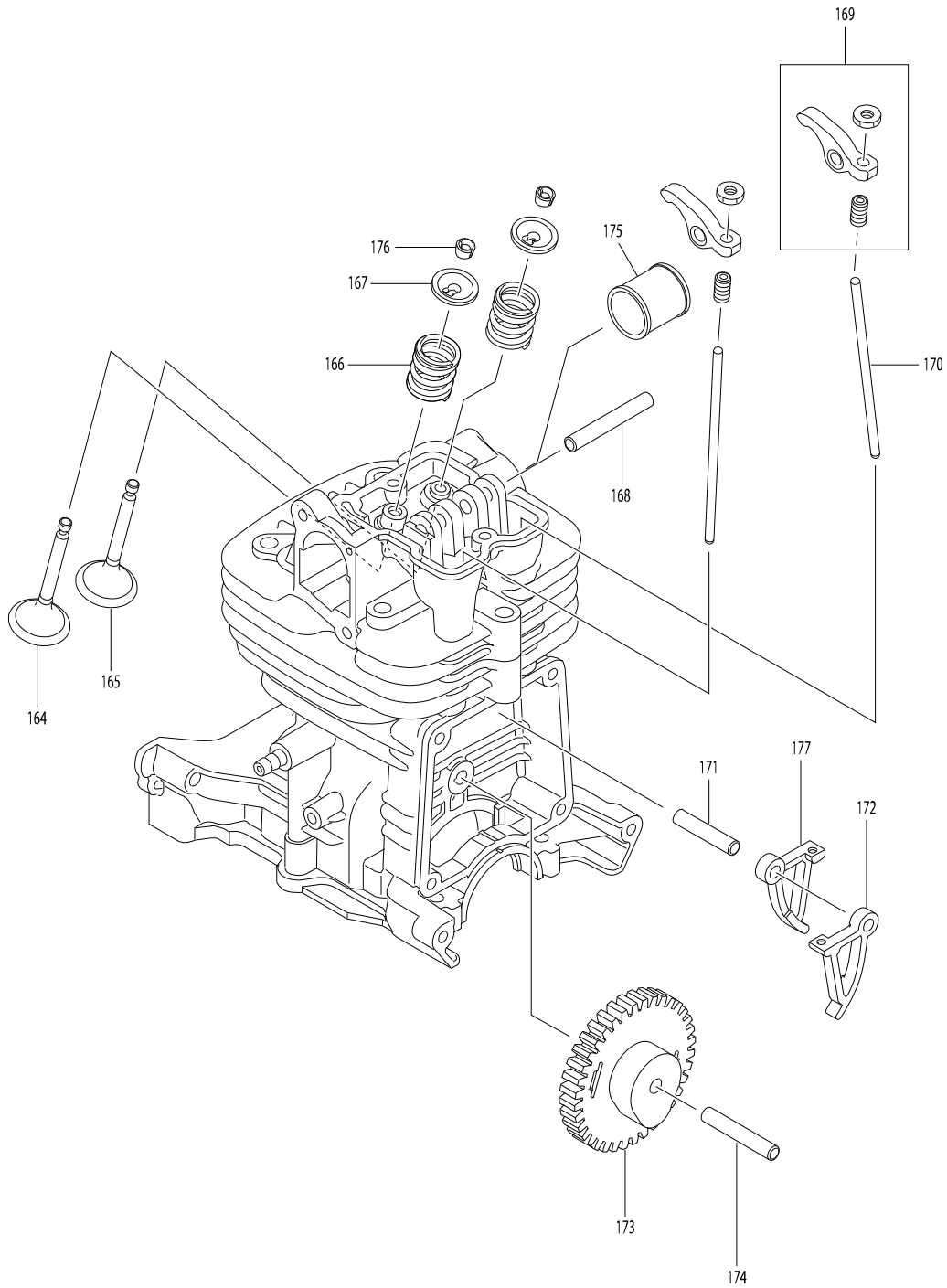
20



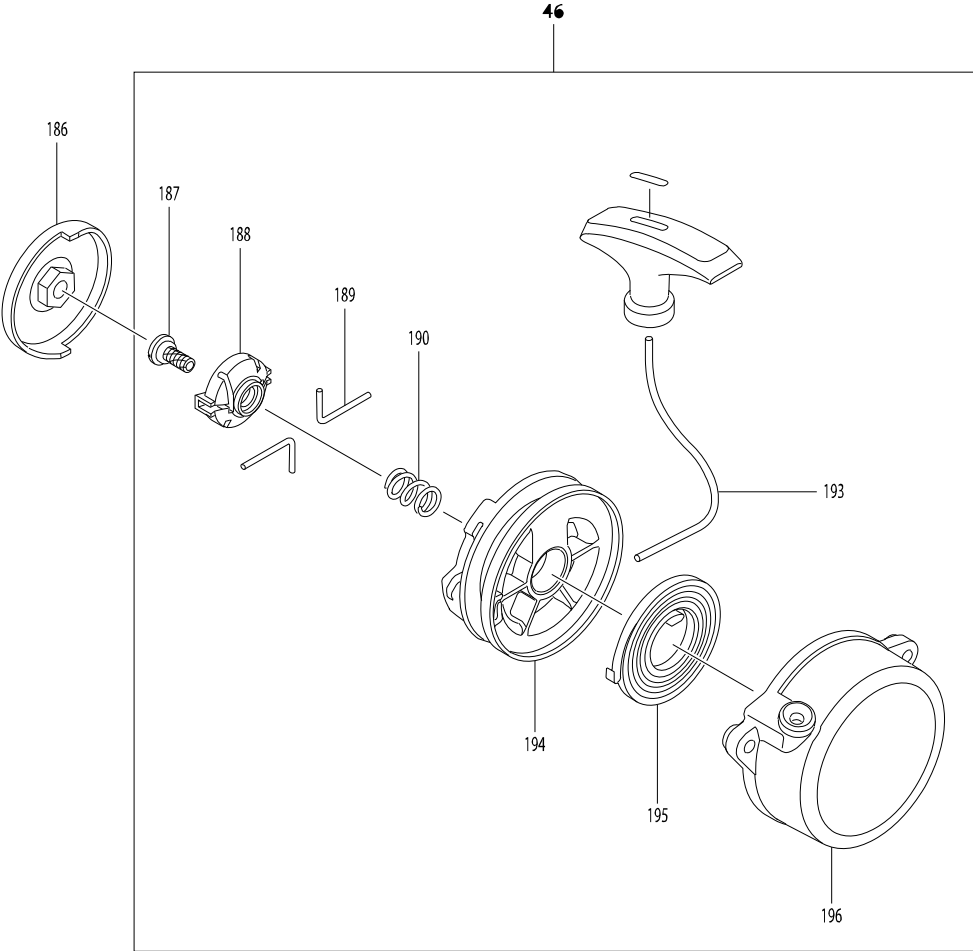
# Model No. PM7650H PETROL MIST BLOWER



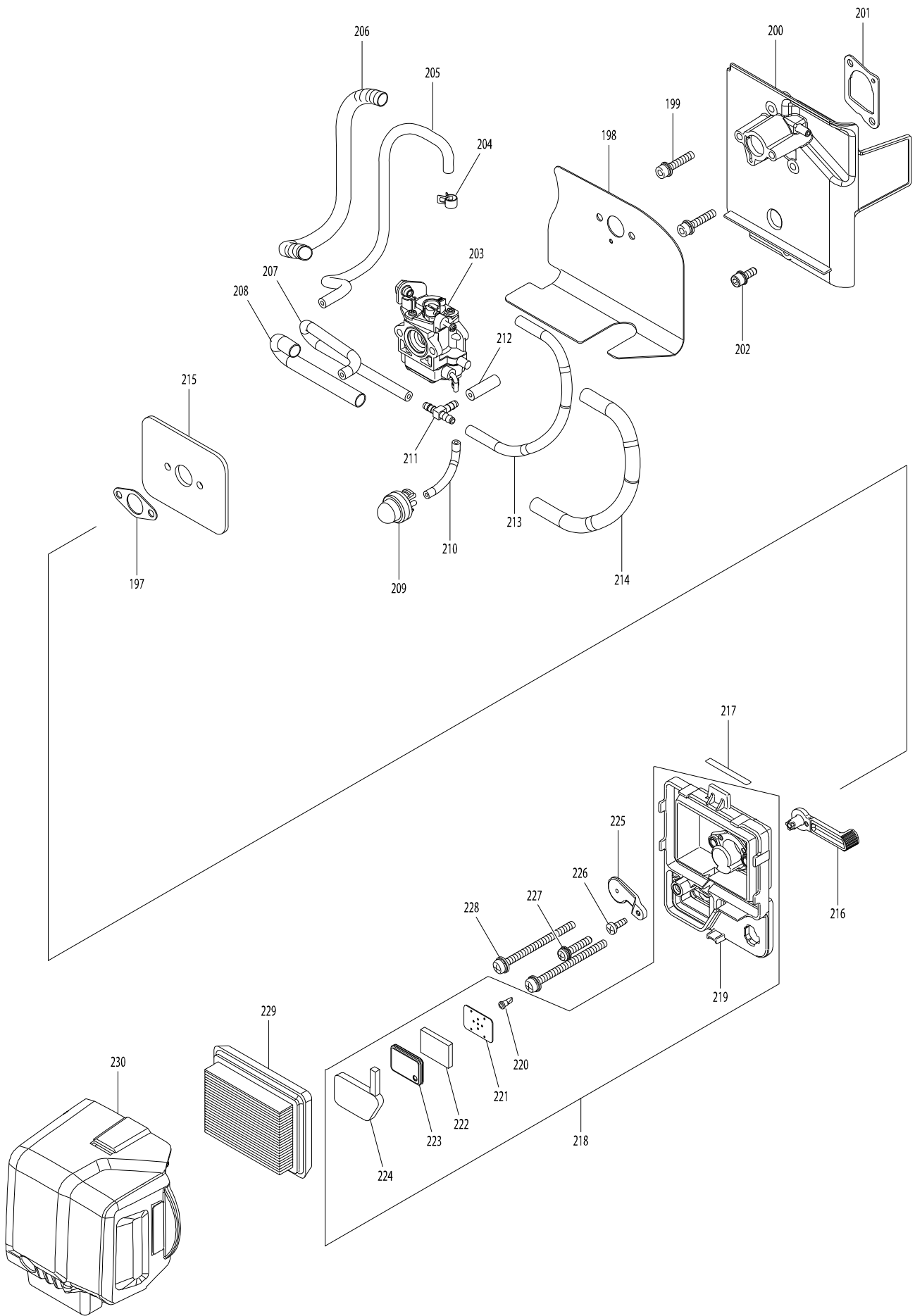
# Model No. PM7650H PETROL MIST BLOWER



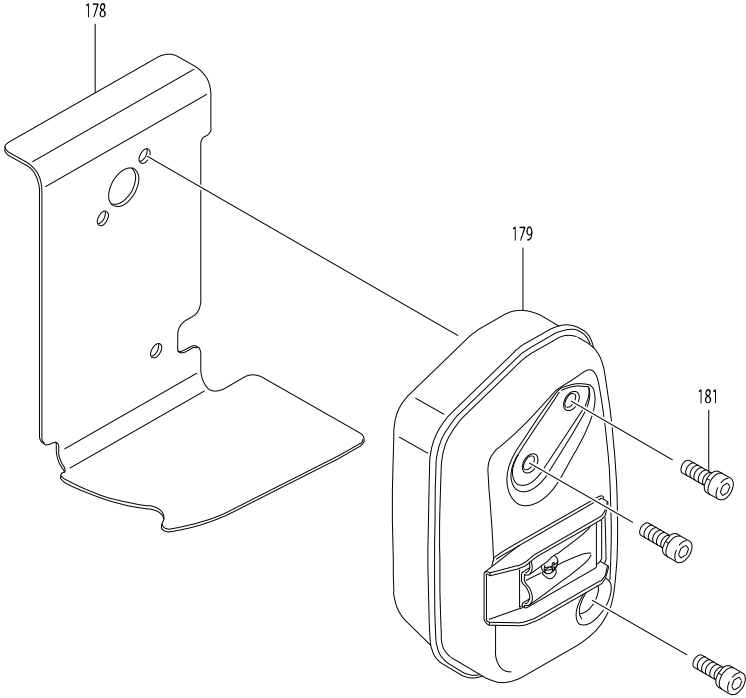
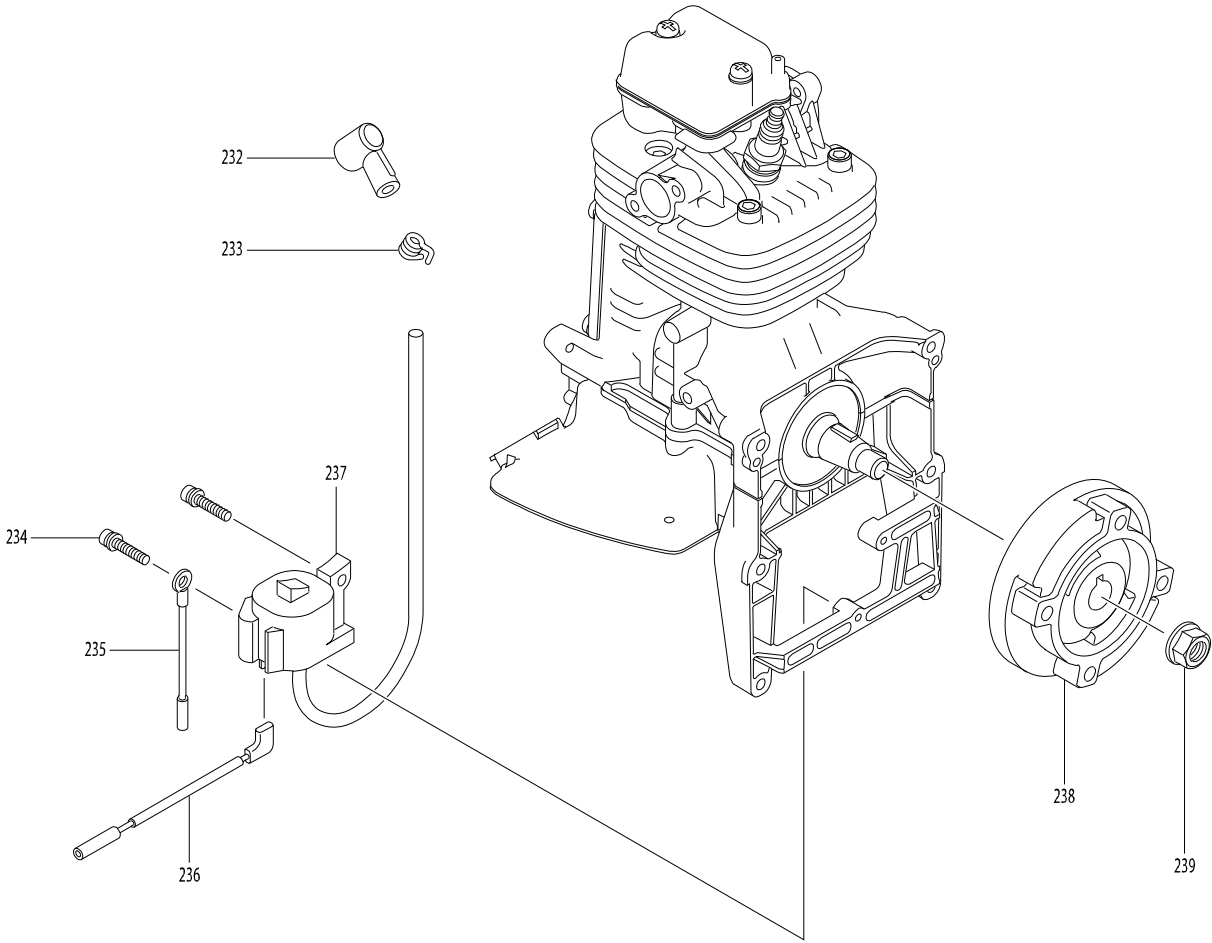
**Model No. PM7650H PETROL MIST BLOWER**



# Model No. PM7650H PETROL MIST BLOWER

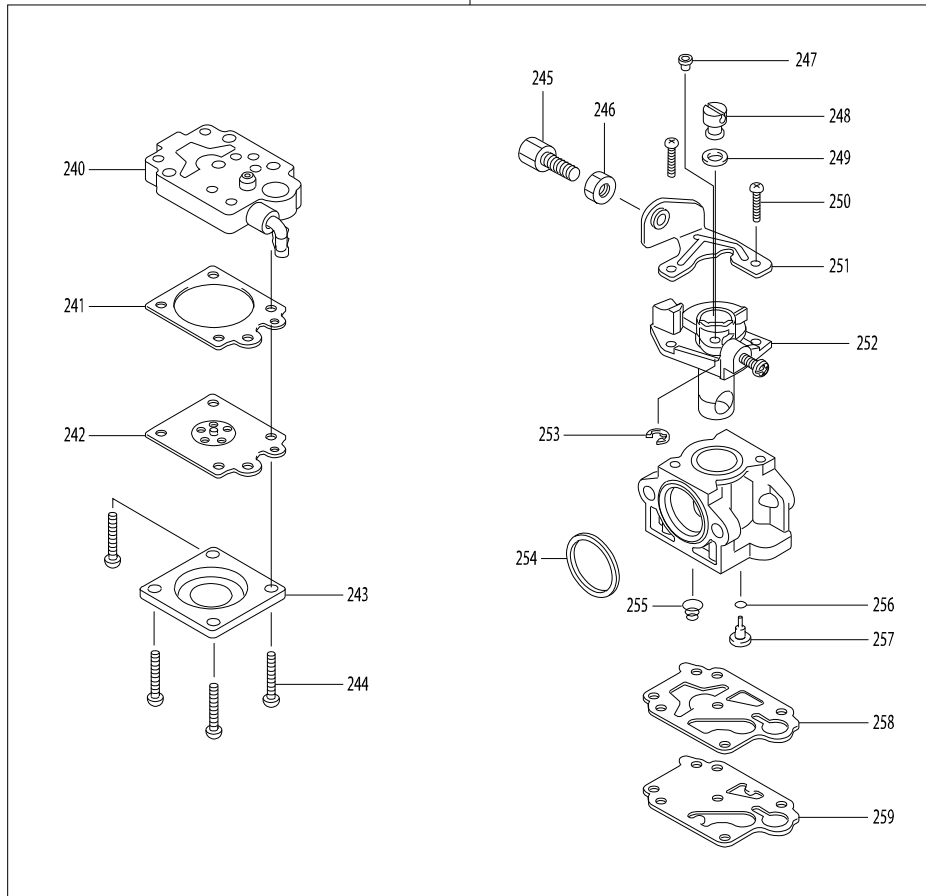


**Model No. PM7650H PETROL MIST BLOWER**



# Model No. PM7650H PETROL MIST BLOWER

203





# Model No. PM7650H PETROL MIST BLOWER

Item	Parts No.	Description	I/C	QTY	N/O	Opt. 1	Opt. 2	NOTE
001	282023-2	HOSE CLAMP 14		1				
002	412109-0	TUBE 10-500		1	*			
002-1	412108-2	TUBE 10-300	S	1				
003	282023-2	HOSE CLAMP 14		1				
004	453505-3	NOZZLE CAP		1				
005	213686-3	O-RING 12		1				
006	268288-0	PIN 5.5		1				
007	234244-2	COMPRESSION SPRING 3		1				
008	266007-8	TAPPING SCREW BIND PT 3X10		1				
009	326198-8	NOZZLE 4.5		1				
010	453599-8	SLEEVE 25		1				
011	213437-4	O RING 28		1				
012	453986-1	TOP ADAPTER		1				
013	266045-0	TAPPING SCREW 4X20		1				
014	911228-4	PAN HEAD SCREW M5X18		1				
015	141921-8	NOZZLE ADAPTER COMPLETE		1				
016	213645-7	O RING 93		1	*			
016-1	213645-7	O RING 93	O	1				
017	412116-3	ELBOW		1				
018	453714-4	WIRE BAND		1				
019	168746-5	SWIVEL PIPE COMPLETE		1				
020	126137-6	CONTROL LEVER ASSEMBLY		1	*			
D10		INC. 117-129			*			
020-1	197095-3	CONTROL LEVER SET	O	1	*			
D10		INC. 117-129			*			
020-2	198218-6	CONTROL LEVER SET	O	1				
D10		INC. 117-129						
021	266192-7	TAPPING SCREW 4X14		2	*			
022	141522-2	BODY HOLDER COMPLETE		1	*			
C10	898351-1	INDICATION LABEL		1	*			
023	266192-7	TAPPING SCREW 4X14		2	*			
024	453508-7	COCK BODY		1	*			
024-1	126580-9	COCK ASSEMBLY	S	1	*			
C10	455656-8	COCK BODY		1	*			
C20	213647-3	O-RING 9		1	*			
C30	455655-0	COCK		1	*			
C40	455657-6	COCK LEVER		1	*			
C50	266326-2	TAPPING SCREW 4X18		1	*			
024-2	123852-3	COCK ASSEMBLY	O	1	*			
C10	455656-8	COCK BODY		1	*			
C20	213647-3	O-RING 9		1	*			
C30	455655-0	COCK		1	*			
C41	457249-7	COCK LEVER	O	1	*			
C50	266326-2	TAPPING SCREW 4X18		1	*			
024-3	123981-2	COCK ASSEMBLY	<	1				
C10	455656-8	COCK BODY		1				
C20	213647-3	O-RING 9		1				
C31	457674-2	COCK	S	1				

# Model No. PM7650H PETROL MIST BLOWER

Item	Parts No.	Description	I/C	QTY	N/O	Opt. 1	Opt. 2	NOTE
C42	457675-0	COCK LEVER	S	1				
C50	266326-2	TAPPING SCREW 4X18		1				
025	213647-3	O-RING 9		1	*			
026	213686-3	O-RING 12		1	*			
027	453510-0	VALVE ROD		1	*			
028	234245-0	COMPRESSION SPRING 12		1	*			
029	213649-9	O-RING 18		1	*			
029-1	213649-9	O-RING 18	O	1	*			
030	453509-5	BODY COVER		1	*			
031	266192-7	TAPPING SCREW 4X14		2	*			
032	282023-2	HOSE CLAMP 14		1				
033	453511-8	PUSH BUTTON		1	*			
034	266130-9	TAPPING SCREW BIND PT 3X16		1	*			
035	412110-5	TUBE 10-750		1				
036	282023-2	HOSE CLAMP 14		1				
037	453616-4	CAP HOSE		1				
038	423434-4	BLIND PACKING		1	*			
038-1	424760-4	BLIND PACKING	O	1				
039	453559-0	JOINT STRAINER		1				
040	266420-0	TAPPING SCREW 5X20		4				
041	450964-2	PLUG COVER		1				
042	424504-2	OIL GUARD		1				
043	897623-1	SERIAL NO. LABEL		1				
044	898355-3	PM7650H MODEL NO. LABEL		1				
045	911233-1	PAN HEAD SCREW M5X20		3				
046	126165-1	RECOIL		1				
D10		INC. 187-190,193-196			*			
D11		INC. 187-190,193-196,261,262						
047	141521-4	ENGINE COVER COMPLETE		1				
C10	898343-0	CAUTION LABEL		1				
C20	443193-4	INSULATION LABEL D		1				
049	931202-6	HEX. NUT M5		2				
050	453558-2	VOLUTE CASE 2		1				
051	318891-8	BASE R		1				
052	922353-6	HEX.SOCKET HEAD BOLT M6X30		3				
053	240138-1	IMPELLER		1				
054	318890-0	BASE L		1				
055	922353-6	HEX.SOCKET HEAD BOLT M6X30		3				
056	922363-3	H.S.H.BOLT M6X40 WITH WR		4	*			
056-1	266828-8	H.S.H.BOLT M6X40 WITH WR	<	4				
057	453491-8	VOLUTE CASE 1		1	*			
057-1	454669-6	VOLUTE CASE 1	<	1				
058	266420-0	TAPPING SCREW 5X20		9				
059	911288-6	PAN HEAD SCREW M5X65		2				
060	453561-3	TANK HOLDER		2				
061	234247-6	COMPRESSION SPRING 20		2				
062	453561-3	TANK HOLDER		2				
063	266420-0	TAPPING SCREW 5X20		3				

# Model No. PM7650H PETROL MIST BLOWER

Item	Parts No.	Description	I/C	QTY	N/O	Opt. 1	Opt. 2	NOTE
064	453497-6	FAN GUARD		1	*			
064-1	454670-1	FAN GUARD	S	1				
065	141764-8	TANK CAP COMPLETE		1				
067	453493-4	TANK STRAINER		1	*			
067-1	455784-9	TANK STRAINER	S	1				
068	961011-9	STOP RING E-4		4				
069	166109-9	BAND R		1	*			
069-1	166121-9	BAND R	<	1	*			
069-2	166143-9	BAND R	<	1	*			
069-3	161510-3	BAND R	<	1				
070	166108-1	BAND L		1	*			
070-1	166120-1	BAND L	<	1	*			
070-2	166142-1	BAND L	<	1	*			
070-3	161509-8	BAND L	<	1				
071	911353-1	PAN HEAD SCREW M6X30		2				
072	253804-1	FLAT WASHER 6		2				
073	911213-7	PAN HEAD SCREW M5X12		5				
074	166107-3	CUSHION		1	*			
074-1	166144-7	CUSHION	<	1	*			
074-2	161566-6	CUSHION	<	1				
075	911353-1	PAN HEAD SCREW M6X30		4				
076	423434-4	BLIND PACKING		1	*			
076-1	424760-4	BLIND PACKING	O	1				
077	453615-6	CAP		1				
078	266767-2	PAN HEAD SCREW M5X12		2				
079	453496-8	MIXING BODY LOWER		1				
080	424492-3	CHECK VALVE		1				
081	267462-7	FLAT WASHER 10		1				
082	453495-0	MIXING BODY UPPER		1				
083	282023-2	HOSE CLAMP 14		1				
084	412109-0	TUBE 10-500		1				
085	282023-2	HOSE CLAMP 14		1				
086	141523-0	TANK COMPLETE		1	*			
C10	898344-8	CAUTION LABEL		1	*			
086-1	142370-2	TANK COMPLETE	<	1	*			
C10	898344-8	CAUTION LABEL		1	*			
086-2	143198-1	TANK COMPLETE	S	1				
C10	898344-8	CAUTION LABEL		1				
087	424503-4	GROMMET		1				
088	453494-2	JOINT 1		1	*			
088-1	454683-2	JOINT 1	S	1				
089	282023-2	HOSE CLAMP 14		1				
090	253874-0	FLAT WASHER 4		1				
091	265995-6	TAPPING SCREW 4X18		1				
092	453498-4	PRESSURE PIPE		1				
093	282023-2	HOSE CLAMP 14		1				
094	412108-2	TUBE 10-300		1				
095	165686-8	FRAME COMPLETE		1				

# Model No. PM7650H PETROL MIST BLOWER

Item	Parts No.	Description	I/C	QTY	N/O	Opt. 1	Opt. 2	NOTE
096	911148-2	PAN HEAD SCREW M4X25		2				
097	163532-9	FILTER		1				
098	345920-4	HOSE CLAMP		1				
099	126138-4	TUBE ASSEMBLY		1				
100	412119-7	TUBE GUARD 20-160		1				
101	125472-9	FUEL TANK CAP ASSEMBLY		1				
102	810455-9	CAUTION PLATE		1				
103	453618-0	FUEL TANK		1				
104	911148-2	PAN HEAD SCREW M4X25		2				
105	453499-2	FRAME HOLDER		2				
106	234246-8	COMPRESSION SPRING 17		2				
107	453560-5	LOWER FRAME HOLDER		2				
108	911333-7	PAN HEAD SCREW M6X20		2				
109	911148-2	PAN HEAD SCREW M4X25		2				
110	911313-3	PAN HEAD SCREW M6X12 WITH WR		3				
111	453600-9	GUARD		1	*			
111-1	454684-0	GUARD	<	1				
117	922317-0	HEX. SOCKET HEAD BOLT M6X14		1				
118	267841-9	WAVE WASHER 7		1				
119	267459-6	FLAT WASHER 7		1				
120	453717-8	LEVER 2 THROTTLE		1				
121	931302-2	HEX. NUT M6		1				
122	453716-0	LEVER 1 THROTTLE		1				
123	233602-9	TORSION SPRING 9		1				
124	911242-0	PAN HEAD SCREW M5X25		1				
125	168745-7	SWITCH COMPLETE		1				
126	266768-0	TAPPING SCREW 4X16		5				
127	931202-6	HEX. NUT M5		1	*			
127-1	252103-8	HEX. LOCK NUT M5-8	X	1				
128	453715-2	TUBE CABLE		1				
129	168744-9	CONTROL CABLE		1				
130	266789-2	H.S.H.BOLT M5X30 WITH WR		2	*			
130-1	922253-0	H.S.H.BOLT M5X30 WITH WR	O	2				
131	141771-1	ROCKER COVER COMPLETE		1				
132	5971500900	ROCKER COVER GASKET		1				
133	5971003002	CYLINDER HEAD COMPL		1	*			
D10		INC. 168,169			*			
133-1	142381-7	CYLINDER HEAD COMPLETE	<	1	*			
D10		INC. 168,169			*			
133-2	142771-4	CYLINDER HEAD COMPLETE	<	1				
D10		INC. 168,169						
134	442167-2	CYLINDER HEAD GASKET		1				
135	168401-9	SPARK PLUG		1				
136	0119069670	SOCKET HEAD BOLT M6X35		5	*			
136-1	922357-8	HEX. SOCKET HEAD BOLT M6X35	O	5				
137	5971007001	CYLINDER BLOCK SET		1	*			
D10		INC. 138,139			*			
137-1	197786-6	CYLINDER BLOCK SET	S	1	*			

# Model No. PM7650H PETROL MIST BLOWER

Item	Parts No.	Description	I/C	QTY	N/O	Opt. 1	Opt. 2	NOTE
D10		INC. 138,139			*			
137-2	123580-0	ENGINE BLOCK ASSY(FOR SERVICE)	<	1				
C10	197786-6	CYLINDER BLOCK SET		1	*			
C11	135739-7	CYLINDER BLOCK ASS'Y	O	1				
D10		INC. 130-134,136,140-159						
D20		INC. 161-167,170,172-174						
D30		INC. 176,177						
138	424201-0	CHECK VALVE		2				
139	0119069930	HEX. SOCKET HEAD BOLT M6X30		6	*			
139-1	922352-8	HEX. SOCKET HEAD BOLT M6X30	O	6				
140	442168-0	CAM GEAR GASKET		1				
141	318725-5	CAM GEAR COVER		1				
142	0119059531	SOCKET HEAD BOLT M5X16(W,SW)		4	*			
142-1	266813-1	H.S.H.BOLT M5X16 WITH WR	O	4	*			
142-2	922223-9	H.S.H.BOLT M5X16 WITH WR	O	4				
143	6676005000	OIL CAP ASSY		1				
D10		INC. 144						
144	0213229980	GASKET		1				
145	346083-9	LEAD VALVE		1				
146	5931501300	RETAINER PLATE		1				
147	0119049980	SOCKET HEAD BOLT M4X10		1				
148	5976500100	OIL CASE GASKET		1				
149	5976500000	OIL CASE		1	*			
149-1	319008-6	OIL CASE	O	1				
150	0037008000	ALUMINUM GASKET		1	*			
150-1	346452-4	GASKET	O	1				
151	0016608120	BOLT M8X12		1	*			
151-1	266916-1	HEX. BOLT M8X12	O	1	*			
151-2	921412-3	HEX. BOLT M8X12	<	1				
152	0119059390	SOCKET HEAD BOLT M5X25		5	*			
152-1	922243-3	HEX. SOCKET HEAD BOLT M5X25	O	5				
153	0851109960	TUBE		1				
154	5972003000	PISTON RING SET		1	*			
154-1	197040-8	PISTON RING SET	<	1				
155	318726-3	PISTON		1	*			
155-1	197456-7	PISTON SET	<	1				
C10	318726-3	PISTON		1				
D10		INC. 154,158						
156	213599-8	OIL SEAL 17		1	*			
156-1	213599-8	OIL SEAL 17	O	1				
157	5802500702	PISTON PIN		1	*			
157-1	257344-1	PISTON PIN	O	1				
158	233995-4	RING SPRING 12		2				
159	0610129940	NEEDLE ROLLER BEARING		1				
160	0323049950	WOODRUFF KEY		1				
161	267448-1	FLAT WASHER 41		1				
162	213598-0	OIL SEAL(L)		1				
163	5972002002	CRANKSHAFT COMPL		1	*			

# Model No. PM7650H PETROL MIST BLOWER

Item	Parts No.	Description	I/C	QTY	N/O	Opt. 1	Opt. 2	NOTE
163-1	142205-7	CRANK SHAFT COMPLETE	O	1	*			
163-2	126576-0	CRANK SHAFT ASSEMBLY	O	1				
164	331964-0	INTAKE VALVE		1				
165	331965-8	EXHAUST VALVE		1				
166	234212-5	COMPRESSION SPRING 11		2				
167	331966-6	RETAINER		2				
168	5973500501	SHAFT ROCKER ARM		1	*			
168-1	268310-3	PIN 5	O	1	*			
169	126005-3	ROCKER ARM ASSEMBLY		2	*			
170	256526-2	PUSH ROD		2				
171	5973500700	SHAFT CAM LIFTER		1	*			
171-1	256186-0	PIN 5	O	1	*			
172	59735006K1	CAM LIFTER		1	*			
172-1	313266-6	CAM LIFTER L	<	1	*			
172-2	310715-4	CAM LIFTER L	S	1				
173	5973002002	CAMGEAR ASSY		1				
174	256200-2	PIN 5		1				
175	331937-3	EXHAUST PORT SPACER		1				
176	331967-4	COTTER		4				
177	5973502300	CAM LIFTER		1	*			
177-1	313267-4	CAM LIFTER R	<	1				
178	5973501301	MUFFLER GASKET		1	*			
178-1	5973501302	MUFFLER GASKET	O	1	*			
178-2	346682-7	MUFFLER GASKET	O	1				
179	5973001003	MUFFLER EXHAUST		1	*			
179-1	168807-1	EXHAUST MUFFLER	O	1				
181	266771-1	SOCKET HEAD BOLT M6X18		3				
186	5975500000	PULLEY		1				
187	266585-8	TAPPING SCREW 5X12		1				
188	424516-5	COLLAR		1				
189	326200-7	SWING ARM		2				
190	234257-3	FRICTION SPRING		1				
193	126186-3	ROPE ASSEMBLY		1	*			
193-1	444043-6	STARTER ROPE	S	1				
194	441075-4	REEL		1				
195	232262-4	SPIRAL SPRING		1				
196	141649-8	STARTER CASE COMPLETE		1				
197	5233504200	CARBURETOR GASKET		1				
198	423438-6	CARBURETOR GASKET		1				
199	266749-4	HEX. S.H.B. M5X25 WITH WR		2				
200	141670-7	INSULATOR COMPL		1				
201	162333-2	INSULATOR GASKET		1				
202	0119059490	SOCKET HEAD BOLT M5X14 (W,SW)		1				
203	168725-3	CARBURETOR		1				
D10		INC. 240-246,248-251,253-259						
204	282027-4	HOSE CLAMP 6		1				
205	412134-1	TUBE 3-210		1				
206	454190-5	CORRUGATE TUBE 160		1				

# Model No. PM7650H PETROL MIST BLOWER

Item	Parts No.	Description	I/C	QTY	N/O	Opt. 1	Opt. 2	NOTE
207	412121-0	TUBE 3-130		1				
208	412123-6	TUBE 10-110		1				
209	168398-2	PRIMER PUMP		1				
210	412112-1	TUBE 3-60		1				
211	452952-5	HOSE JOINT		1				
212	422096-5	TUBE 3-25		1				
213	412122-8	TUBE 3-240		1				
214	412124-4	TUBE 10-220		1				
215	346582-1	PLATE 31		1				
216	453502-9	CHOKE LEVER		1				
217	898347-2	SERIAL NO. LABEL		1	*			
217-1	814P65-0	SERIAL NO. LABEL	<	1				
218	126149-9	CLEANER PLATE ASSEMBLY		1				
D10		INC. 219-224						
219	453501-1	AIR CLEANER PLATE		1				
220	424316-3	CHECK VALVE		1				
221	162325-1	SEPARATOR GASKET		1				
222	352013-0	SEPARATOR NET		1				
223	162322-7	SEPARATOR STOPPER		1				
224	162324-3	SEPARATOR PLATE		1				
225	5973501700	CHOKE PLATE		1				
226	266427-6	TAPPING SCREW 4X12		1				
227	911243-8	PAN HEAD SCREW M5X25		1				
228	911293-3	PAN HEAD SCREW M5X70		2				
229	442181-8	AIR CLEANER ELEMENT		1				
230	141525-6	AIR CLEANER COVER COMPLETE		1				
C10	898350-3	INDICATION LABEL		1				
232	424105-6	PLUG CAP		1				
233	324891-8	PLUG CAP SPRING		1				
234	0119049970	SOCKET HEAD BOLT M4X20		2				
235	638784-6	WIRE		1				
236	638710-5	LEAD WIRE		1				
237	5977001010	IGNITION COIL		1				
238	5977001020	FLYWHEEL COMPL		1	*			
238-1	319170-7	FLYWHEEL	O	1				
239	264054-3	FLANGE NUT M10		1				
240	141672-3	PUMP BODY ASSEMBLY		1				
241	442183-4	METERING DIAPHRAGM GASKET		1				
242	168620-7	METERING DIAPHRAGM		1				
243	346608-9	METER DIAPHRAGM COVER		1	*			
243-1	WJ00021158	METERING DIAPHRAGM COVER	O	1				
244	266770-3	SCREW		4	*			
244-1	WJ00096325	SCREW	O	4				
245	266795-7	ADJUST SCREW		1				
246	264065-8	CABLE ADJUST NUT M6		1				
248	325922-6	SWIVEL		1				
249	413140-9	WASHER		1				
250	266704-6	PAN HEAD SCREW M3X10		2				

**Model No. PM7650H PETROL MIST BLOWER**

Item	Parts No.	Description	I/C	QTY	N/O	Opt. 1	Opt. 2	NOTE
251	346491-4	BRACKET CABLE		1				
253	257964-1	STOP RING E-3		1				
254	424444-4	PACKING RING		1				
255	234183-6	CONICAL COMPRESSION SPRING 5-9		1				
256	213538-8	O RING 2		1				
257	326243-9	JET		1				
258	442155-9	PUMP GASKET		1				
259	168575-6	PUMP DIAPHRAGM		1	*			
259-1	WJ00009599	PUMP DIAPHRAGM	O	1				
260	195926-0	O RING SET		1				
D10		INC. 5,25,26,29						
261	424361-8	STARTER KNOB	S	1				
262	424360-0	ROPE STOPPER	S	1				
263	423467-9	SPONGE 12	S	1				
264	135600-8	CYLINDER HEAD ASS'Y 76CC		1	*			
D10		INC. 133,164-167,176			*			
264-1	135619-7	CYLINDER HEAD ASS'Y 76CC	<	1				
D10		INC. 133,164-167,176						
A01	163319-9	HAND STRAP		1				
A02	782237-8	BOX WRENCH		1				
A03	783019-1	DRIVER		1				
A04	282024-0	HOSE CLAMP 76		3	*			
A04-1	282024-0	HOSE CLAMP 76	O	4				
A05	282025-8	HOSE CLAMP 100		1				
A06	453700-5	STRAIGHT PIPE 380		1	*			
A06-1	453700-5	STRAIGHT PIPE 380	O	1				
A07	412115-5	FLEXIBLE PIPE		1				
A08	453506-1	DIFFUSION COVER		1				
A09	195532-1	OIL BOTTLE SET		1				
A12	196733-4	BAND 25 SET		1				
E01	819432-8	CAUTION TAG		1				