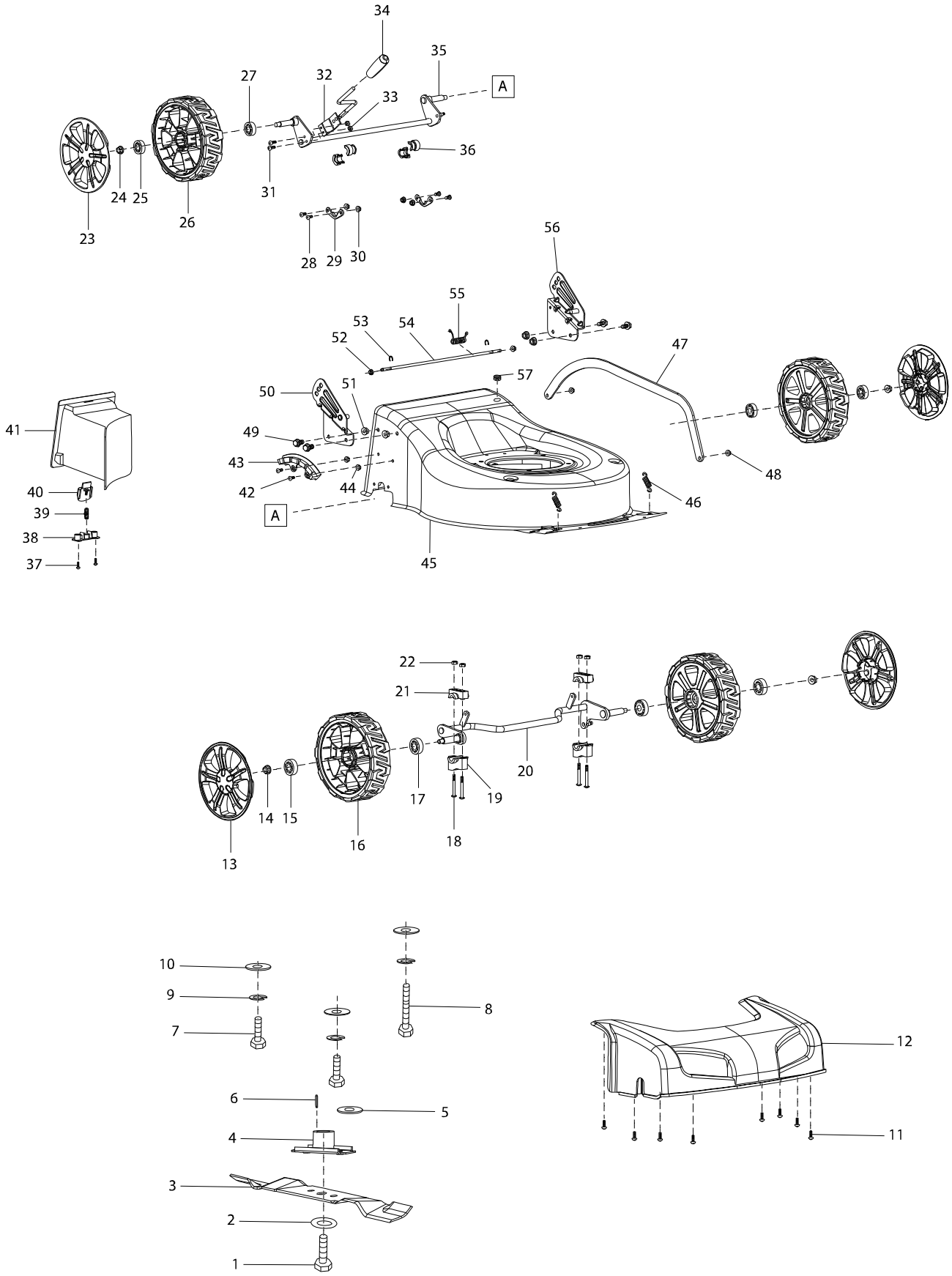
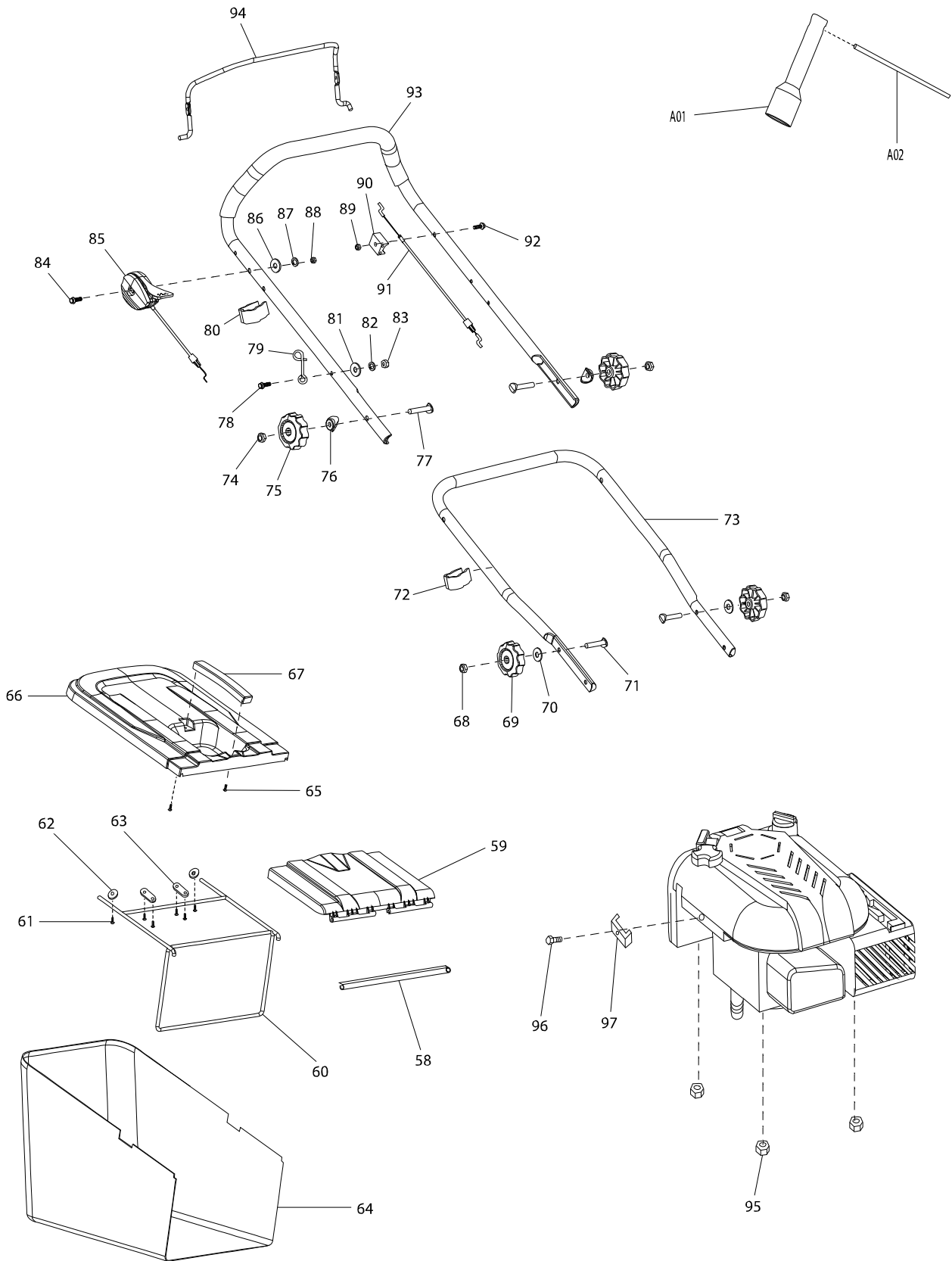


# Model No. PLM4620N PETROL LAWN MOWER



# Model No. PLM4620N PETROL LAWN MOWER



# Model No. PLM4620N PETROL LAWN MOWER

Item	Parts No.	Description	I/C	QTY	N/O	Opt. 1	Opt. 2	NOTE
001	671006065	"BLADE TIGHTEN BOLT 3/8""24"		1				
002	671010730	LID SHAPE WASHER		1				
003	671001451	BLADE 460MM		1				
004	671015252	BLADE SUPPORT		1				
005	DA00000979	BLADE SUPPORT LINING		1				
006	DA00000535	FLAT KEY		1				
007	DA00000586	HEXAGON BOLT		2				
008	671006014	HEXAGON BOLT M8*60MM		1				
009	DA00000832	SPRING WASHER		3				
010	671007007	FLAT WASHER M8		3				
011	DA00000911	SELF-TAPPING SCREW ST4.2*10		8				
012	671659001	FRONT DECORATIVE COVER		1				
013	671001176	"7"" WHEEL COVER"		2				
014	DA00000537	HEXAGON FLANGE LOCK NUT		2				
015	DA00000538	BEARING		2				
016	671020150	WHEEL ASSY		2				
017	DA00000538	BEARING		2				
018	671002028	TRIGGER BOLT M6*45		4				
019	671418001	FIXED BRACKET		2				
020	671001786	FRONT WHEEL AXIS ASSEY		1				
021	671445001	BRACKET PRESSING BOARD		2				
022	DA00000549	HEXAGON LOCK NUT		4				
023	DA00000536	WHEEL COVER		2				
024	DA00000537	HEXAGON FLANGE LOCK NUT		2				
025	DA00000538	BEARING		2				
026	671020160	"8"" @WHEEL ASS'Y"		2				
027	DA00000538	BEARING		2				
028	671002019	TRIGGER SCREW		4				
029	DA00000542	FIXING RING FOR WHEEL AXIS		2				
030	DA00000543	ALL METAL HEXAGON FLANGE LOCK		4				
031	DA00000912	TRIGGER BOLT M5*14		2				
032	671001430	HANDLE ASS'Y		1				
033	671005011	HEXAGON LOCKING NUT M5		2				
034	671102602	HANDLE SHEATH		1				
035	671001438	REAR WHEEL AXIS ASSEY		1				
036	671235300	WHEEL AXIS SHEATH		4				
037	DA00000603	SELF-TAPPING SCREW		2				
038	671317001	PRESSING BOARD OF LOCKING		1				
039	671011005	SPRING		1				
040	671316004	LOCKING BUTTON OF MULCHING KIT		1				
041	671660001	MULCHING KIT		1				
042	671002019	TRIGGER SCREW		2				
043	DA00000787	HEIGHT ADJUSTMENT PLATE		1				
044	DA00000543	ALL METAL HEXAGON FLANGE LOCK		2				
045	671001517	DECK(MAKITA BLUE)		1				
046	671011125	EXTENSION SPRING OF FRONT WHE		2				
047	671002671	LINK ROD		1				
048	DA00000549	HEXAGON LOCK NUT		2				

# Model No. PLM4620N PETROL LAWN MOWER

Item	Parts No.	Description	I/C	QTY	N/O	Opt. 1	Opt. 2	NOTE
049	DA00000562	HEXAGON FLANGE BOLT		4				
050	671001180	RIGHT BRACKET OF HANDLE		1				
051	DA00000537	HEXAGON FLANGE LOCK NUT		4				
052	DA00000543	ALL METAL HEXAGON FLANGE LOCK		2				
053	671009017	OPEN BLOCK RING		2				
054	671001518	LONG POLE		1				
055	671011101	SPRING		1				
056	671001179	LEFT HANDLE BRACKET		1				
057	671800104	CABLE PROTECTING SHEATH		1				
058	671001353	PRESSING BAR		1				
059	671468001	REAR COVER BOARD		1				
060	671001443	GRASS CATCHER BRACKET		1				
061	DA00000888	SELF-TAPPING SCREW ST5*12		6				
062	671001436	PRESSING PLATE		2				
063	671001203	PRESSING PLATE		2				
064	671001418	GRASS CATCHER		1				
065	671105502	SELF-TAPPING SCREW ST5*16		2				
066	671467001	GRASS CATCHER COVER		1				
067	671454001	GRASS CATCHER HANDLE		1				
068	DA00000563	HEXAGON NUT		2				
069	DA00000564	KNOB		2				
070	671007007	FLAT WASHER M8		2				
071	DA00000880	FLAT HEAD BOLT M8*35		2				
072	671611001	CABLE CLAMP		1				
073	671001606	LOWER HANDLE POLE		1				
074	DA00000563	HEXAGON NUT		2				
075	DA00000564	KNOB		2				
076	DA00000565	CURVED WASHER		2				
077	DA00000569	FLAT HEAD BOLT		2				
078	DA00000577	HEXAGON FLANGE BOLT		1				
079	DA00000579	CABLE HOOK		1				
080	671611001	CABLE CLAMP		1				
081	DA00000574	FLAT WASHER		1				
082	DA00000864	SPRING WASHER M6		1				
083	DA00000575	LID SHAPE NUT M6		1				
084	671006082	HEXAGON FLANGE BOLT M6X50		1				
085	671001137	THROTTLE HANDLE ASSEY		1				
086	DA00000574	FLAT WASHER		1				
087	DA00000864	SPRING WASHER M6		1				
088	DA00000575	LID SHAPE NUT M6		1				
089	DA00000575	LID SHAPE NUT M6		1				
090	DA00000573	CABLE FIXING PLATE		1				
091	671001113	FRAMEOUT CORD ASSY		1				
092	DA00000577	HEXAGON FLANGE BOLT		1				
093	671002001	UPPER HANDLE ASSEY iWITH HAN		1				
094	DA00000961	FRAMEOUT POLE		1				
095	DA00000537	HEXAGON FLANGE LOCK NUT		3				
096	671003012	SCREW M5*14		1				

