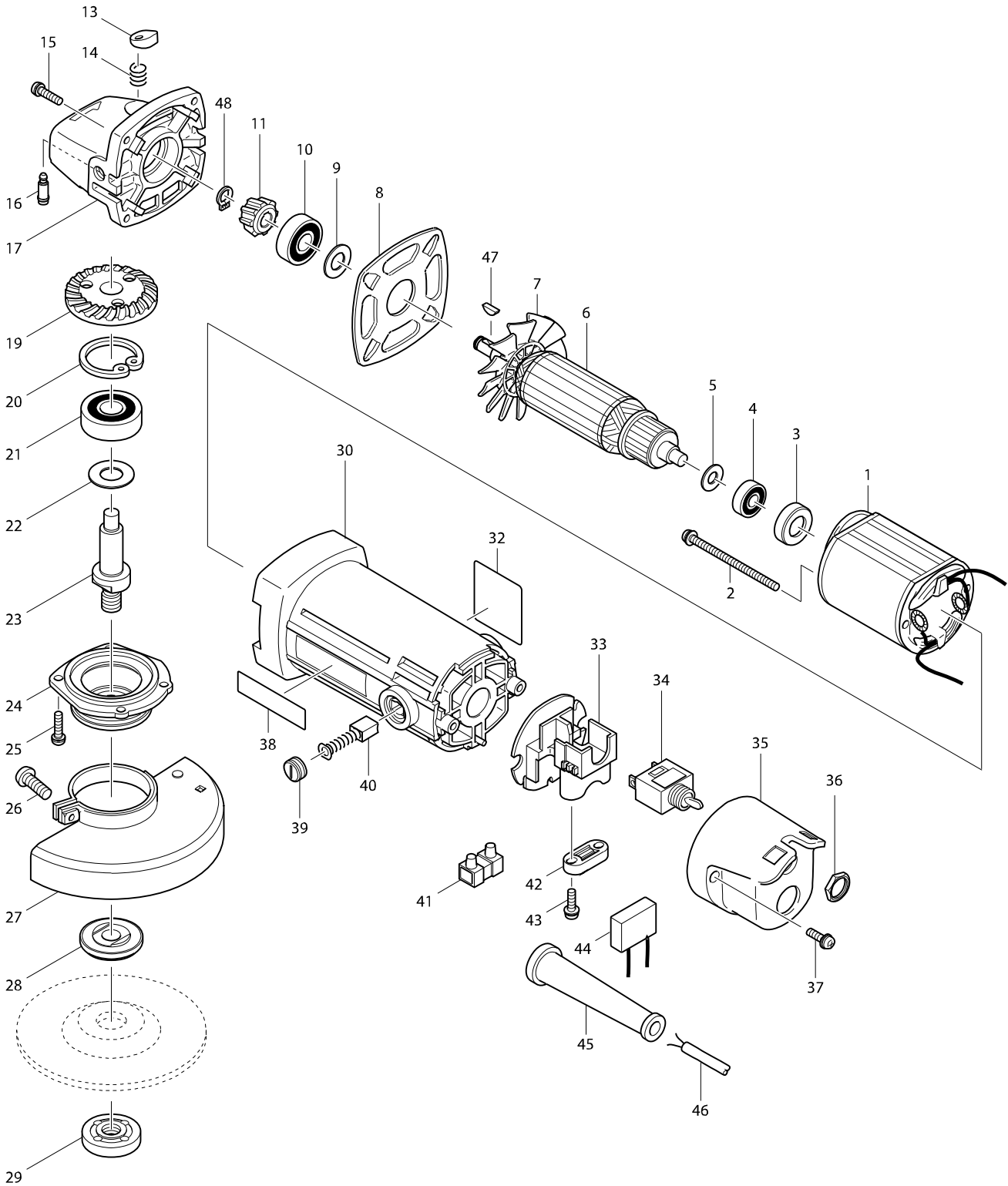


Model No. MT954 ANGLE GRINDER 100MM



Model No. MT954 ANGLE GRINDER 100MM

Item	Parts No.	Description	I/C	QTY	N/O	Opt. 1	Opt. 2	NOTE
001	593523-0	FIELD ASS'Y 220-240V		1				
C10	654221-2	RING TERMINAL		2				
C20	654501-6	CONNECTOR P-1.25		2				
002	265102-1	PAN HEAD SCREW M4X65		2				
003	421808-3	RUBBER RING 19		1				
004	210062-2	BALL BEARING 607ZZ		1	*			
004-1	211021-9	BALL BEARING 607LLB	O	1				
005	267245-5	FLAT WASHER 7		1				
006	517439-5	ARMATURE ASS'Y 240V		1	*			
C10	681661-1	INSULATION WASHER		1	*			
D10		INC. 4,5,7			*			
006-1	510181-7	ARMATURE ASS'Y 240V	O	1				
C10	681661-1	INSULATION WASHER		1				
D10		INC. 4,5,7						
007	240050-5	FAN 60		1				
008	285704-7	BEARING RETAINER 69		1				
009	267256-0	FLAT WASHER 10		1				
010	210067-2	BALL BEARING 6000ZZ		1	*			
010-1	211062-5	BALL BEARING 6000ZZ	O	1				
011	227448-3	SPIRAL BEVEL GEAR 14		1				
013	417771-6	PIN CAP		1				
014	233376-2	COMPRESSION SPRING 8		1				
015	265100-5	PAN HEAD SCREW M4X16		4				
016	256470-3	SHOULDER PIN 4		1	*			
016-1	256486-8	SHOULDER PIN 4	O	1				
017	153423-2	GEAR HOUSING COMPLETE		1				
C10	213445-5	O-RING 26		1				
C20	212953-3	NEEDLE BEARING 810		1				
019	227449-1	SPIRAL BEVEL GEAR 35		1				
020	962151-6	RETAINING RING R-32		1				
021	211129-9	BALL BEARING 6201DDW		1				
022	267238-2	FLAT WASHER 12		1				
023	324312-0	SPINDLE		1				
024	317534-9	BEARING BOX		1				
025	265100-5	PAN HEAD SCREW M4X16		4				
026	265103-9	PAN HEAD SCREW M5X14		1				
027-1	135196-9	WHEEL COVER ASS'Y		1	*			
D10		INC. 26			*			
027-2	125266-2	WHEEL COVER ASS'Y	O	1				
D10		INC. 26						
028	224380-2	INNER FLANGE 30		1	*			
028-1	224314-5	INNER FLANGE 30	O	1				
029	224569-2	LOCK NUT 10-30		1	*			
029-1	224559-5	LOCK NUT 10-30	<	1				
030	183464-4	MOTOR HOUSING		1				
C10	643455-2	BRUSH HOLDER 6X9		2				
D10		INC. 38						
032	850483-2	NAME PLATE MT954		1				

