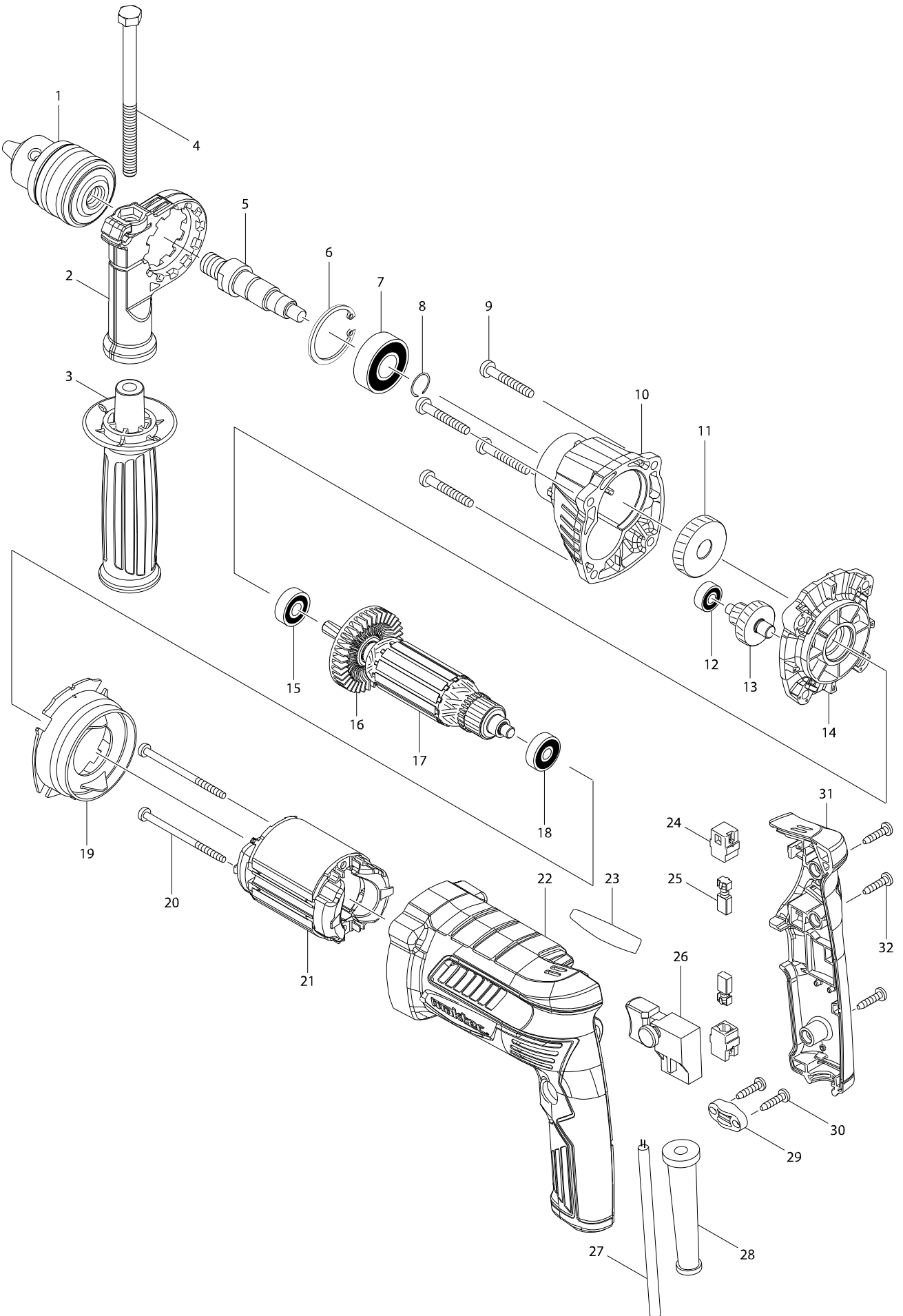


Model No. MT620 13MM DRILL



Model No. MT620 13MM DRILL

Item	Parts No.	Description	I/C	QTY	N/O	Opt. 1	Opt. 2	NOTE
001A	763161-4	DRILL CHUCK S13		1	*			
001-1A	763232-7	DRILL CHUCK S13	O	1				
002	417630-4	GRIP BASE		1				
003	142083-5	GRIP 36 COMPLETE		1				
004	265495-6	HEX. BOLT M8X110		1				
005	326265-9	SPINDLE		1				
006	962153-2	RETAINING RING R-35		1				
007	211241-5	BALL BEARING 6202DDW		1				
008	233925-5	RING SPRING 13		1				
009	266012-5	TAPPING SCREW 5X35		4				
010	142082-7	GEAR HOUSING COMPLETE		1				
011	227775-8	HELICAL GEAR 35		1				
012	210028-2	BALL BEARING 606ZZ		1				
013	226159-7	GEAR COMPLTE 11-23		1				
014	454291-9	GEAR HOUSING COVER		1				
015	210044-4	BALL BEARING 608DDW		1				
016	240127-6	FAN 52		1				
017	515889-8	ARMATURE ASS'Y 240V		1				
D10		INC. 15,16,18						
018	210045-2	BALL BEARING 627DDW		1				
019	454292-7	BAFFLE PLATE		1				
020	266060-4	TAPPING SCREW 4X65		2				
021	593829-6	FIELD ASS'Y 240V		1				
C10	654037-5	INSULATED TERM. FT1.25-M3		2	*			
C11	654409-4	TERMINAL VR1.25-3.5LB	O	2				
022	454289-6	MOTOR HOUSING		1				
023	814J44-2	MT620 NAME PLATE		1				
024	643566-3	BRUSH HOLDER 5X8		2				
025	191627-8	CARBON BRUSH CB-64		1				
026	650235-9	SWITCH FA1-6/1B-3		1				
027	666257-9	POWER SUPPLY CORD 0.75-2-2.0		1				
028	682569-2	CORD GUARD 8-85		1				
029	687123-7	STRAIN RELIEF		1				
030	266326-2	TAPPING SCREW 4X18		2				
031	454290-1	HANDLE COVER		1				
032	266326-2	TAPPING SCREW 4X18		3				
A01A	418163-2	KEY HOLDER 10		1				
A01B	781037-3	WRENCH 17		1				
A02A	763441-8	CHUCK KEY S13		1	*			
A02-1A	763235-1	CHUCK KEY S13	O	1				