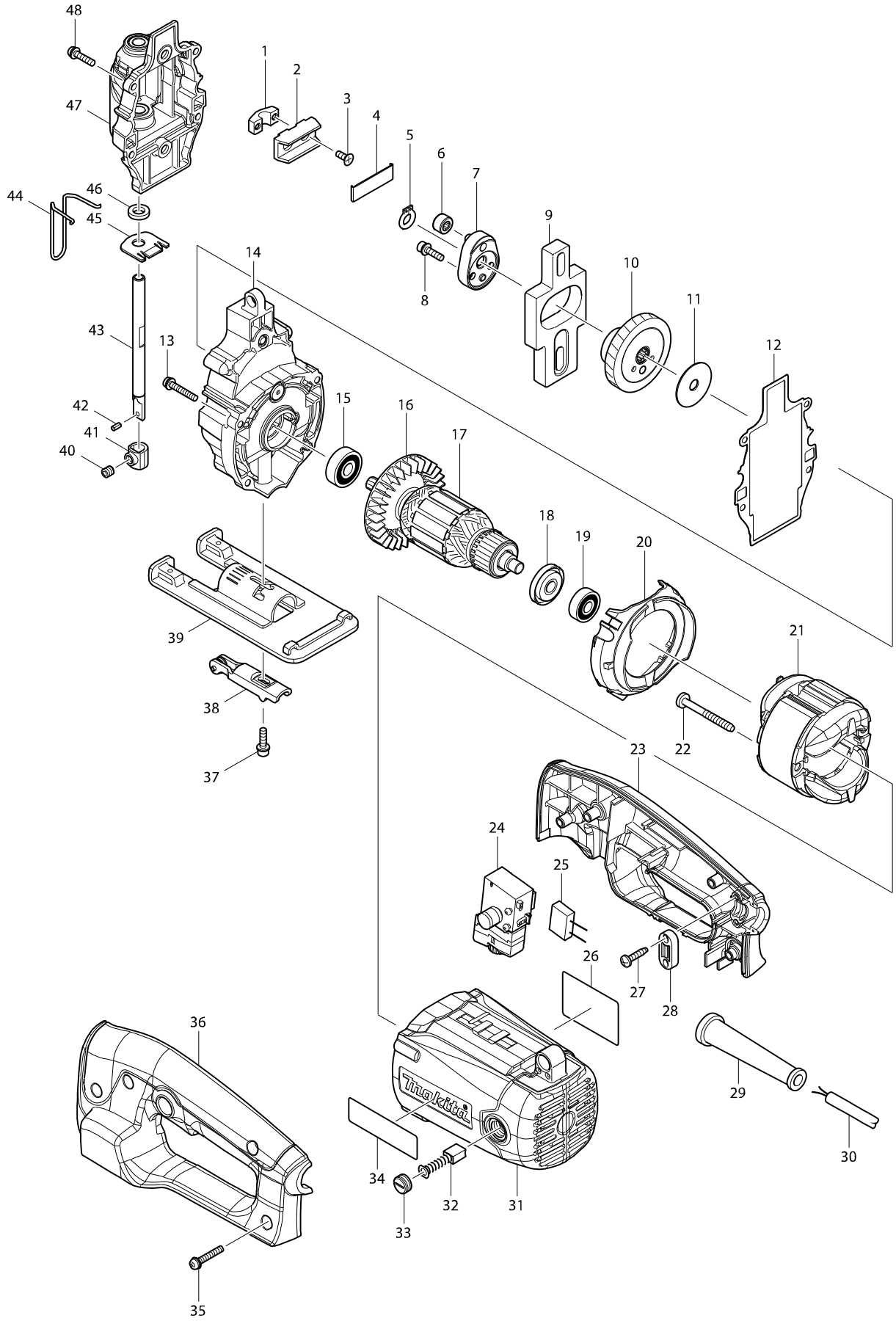


Model No. MT430 JIG SAW



Model No. MT430 JIG SAW

Item	Parts No.	Description	I/C	QTY	N/O	Opt. 1	Opt. 2	NOTE
001	318371-4	SLIDER SUPPORT		1				
002	325600-8	SLIDER BLOCK		1				
003	265035-0	COUNTERSUNK HEAD SCREW M4X10		2				
004	346057-0	THRUST PLATE		1				
005	961004-6	RETAINING RING S-8		1				
006	212960-6	NEEDLE BEARING 607		1				
007	158873-6	CRANK PLATE COMPLETE		1				
008	922128-3	HEX. SOCKET HEAD BOLT M4X16		2	*			
008-1	922122-5	HEX.SOCKET HEAD BOLT M4X14	<	2				
009	313161-0	BALANCE PLATE		1				
010	158913-0	HELICAL GEAR 49 COMPLETE		1				
C10	212953-3	NEEDLE BEARING 810		2				
011	267402-5	FLAT WASHER 8		1				
012	442145-2	PACKING		1				
013	265101-3	PAN HEAD SCREW M4X25		4				
014	158870-2	GEAR HOUSING COMPLETE		1				
015	210063-0	BALL BEARING 629ZZ		1				
016-1	240118-7	FAN 65		1				
017-1	513784-6	ARMATURE ASSY 240V		1				
D10		INC. 15,16,18,19						
018	681644-1	INSULATION WASHER		1				
019	210029-0	BALL BEARING 608ZZ		1				
020	450933-3	BAFFLE PLATE		1				
021	594588-5	FIELD ASSY 220-240V		1				
C10	654221-2	RING TERMINAL		2				
C20	654501-6	CONNECTOR P-1.25		2				
022	266466-6	TAPPING SCREW 5X45		2				
023	188618-8	HANDLE SET		1				
D10		INC. 36						
024	650616-7	SWITCH DGQ-1104H-02		1				
026	866286-4	MT430 NAME PLATE		1				
027	266326-2	TAPPING SCREW 4X18		2				
028	687123-7	STRAIN RELIEF		1				
029	682569-2	CORD GUARD 8-85		1				
030	666053-5	POWER SUPPLY CORD 1.0-2-2.0		1				
031	188669-1	MOTOR HOUSING SET		1				
C10	643455-2	BRUSH HOLDER 6X9		2				
D10		INC. 34						
032	191940-4	CARBON BRUSH CB-411		1				
033	643987-9	BRUSH HOLDER CAP 5-8		2				
034	819227-9	MAKTEC LOGO LABEL		1				
035	265101-3	PAN HEAD SCREW M4X25		4				
036	188618-8	HANDLE SET		1				
D10		INC. 23						
037	922128-3	HEX. SOCKET HEAD BOLT M4X16		1				
038	158869-7	RETAINER COMPLETE		1				
039	165555-3	BASE		1				
040	266338-5	H.S.SET SCREW(FLAT POINT)M6X6		1				

