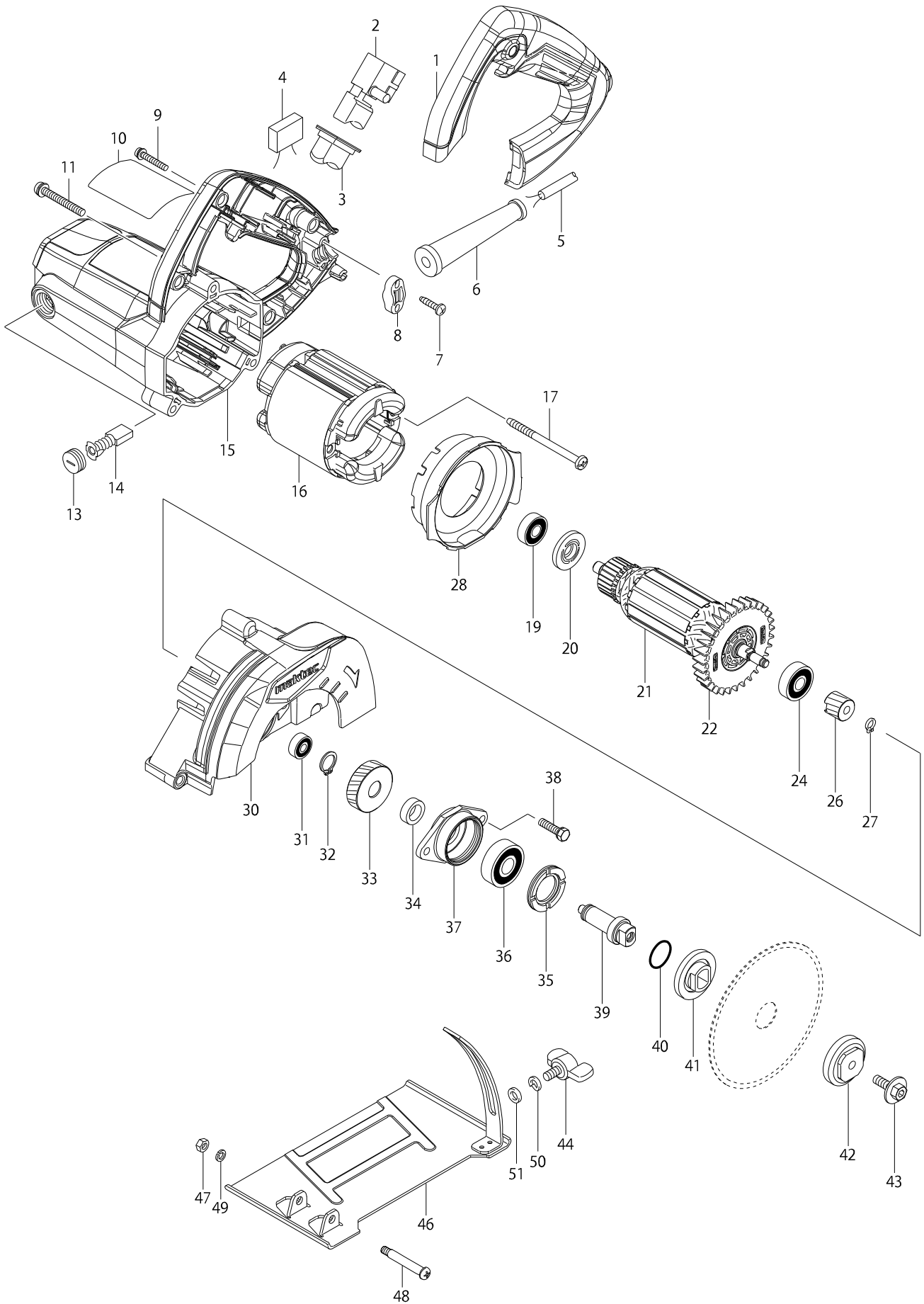


# Model No. MT412 125MM CUTTER



# Model No. MT412 125MM CUTTER

Item	Parts No.	Description	I/C	QTY	N/O	Opt. 1	Opt. 2	NOTE
001	452460-6	HANDLE COVER		1				
002	650239-1	SWITCH FA1-6/1B		1				
003	421812-2	DUST COVER		1				
005	666053-5	POWER SUPPLY CORD 1.0-2-2.0		1				
006	682503-2	CORD GUARD 8-90		1				
007	266326-2	TAPPING SCREW 4X18		2				
008	687123-7	STRAIN RELIEF		1				
009	266326-2	TAPPING SCREW 4X18		4				
010	869213-0	MT412 NAME PLATE		1				
011	911263-2	PAN HEAD SCREW M5X40		3				
013	643750-0	BRUSH HOLDER CAP 7-11		2				
014	191963-2	CARBON BRUSH CB-303		1				
015	140733-6	MOTOR HOUSING COMPLETE		1				
C10	643708-9	BRUSH HOLDER 5-11		2				
016	594604-3	FIELD ASS'Y 240V		1				
C10	654220-4	RING TERMINAL		2				
C20	654501-6	CONNECTOR P-1.25		2				
017	266389-8	TAPPING SCREW 5X70		2				
019	210029-0	BALL BEARING 608ZZ		1				
020	681644-1	INSULATION WASHER		1				
021	513814-3	ARMATURE ASS'Y 240V		1				
D10		INC. 19,20,22,24						
022	240109-8	FAN 70		1				
024	210125-4	BALL BEARING 629DDW		1				
026	227738-4	HELICAL GEAR 17		1				
027	961002-0	RETAINING RING S-6		1				
028	452461-4	BAFFLE PALTE		1				
030	140734-4	BLADE CASE COMPLETE		1				
C10	213445-5	O-RING 26		1				
031	210028-2	BALL BEARING 606ZZ		1				
032	961052-5	RETAINING RING S-12		1				
033	227739-2	HELICAL GEAR 44		1				
034	257173-2	RING 12		1				
035	285852-2	BEARING RETAINER 19-33		1				
036	211145-1	BALL BEARING 6201ZZ		1				
037	318682-7	BEARING BOX		1				
038	265120-9	PAN HEAD SCREW M5X16		2				
039	326013-6	SPINDLE		1				
040	213279-6	O RING 18		1				
041	224080-4	INNER FLANGE 36		1				
042	224081-2	OUTER FLANGE 36		1				
043	266510-9	HEX. SOCKET HEX. BOLT M6X18		1				
044	265754-8	THUMB SCREW M6X12		1				
046	165630-5	BASE		1				
047	252175-3	HEX. NUT M5		1				
048	265091-0	+ PAN HEAD SCREW M5		1				
049	942101-7	SPRING WASHER 5		1				
050	942151-2	SPRING WASHER 6		1				

