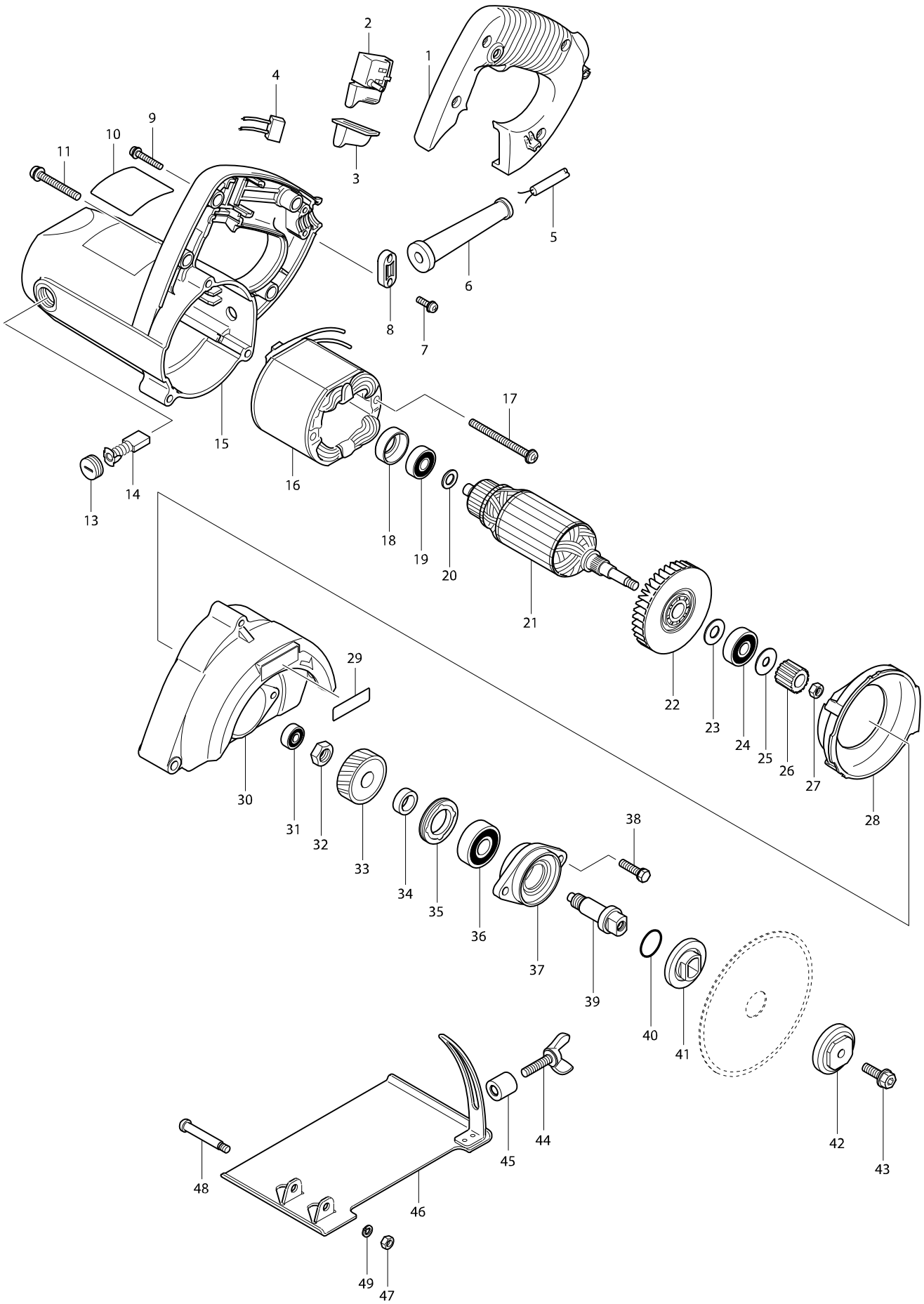


Model No. MT410 CUTTER 110MM



Model No. MT410 CUTTER 110MM

Item	Parts No.	Description	I/C	QTY	N/O	Opt. 1	Opt. 2	NOTE
001	417809-7	HANDLE COVER		1				
002	650209-0	SWITCH SGL206CDY		1				
003	421812-2	DUST COVER		1				
005	666053-5	POWER SUPPLY CORD 1.0-2-2.0		1				
006	682569-2	CORD GUARD 8-85		1				
007	265099-4	PAN HEAD SCREW M4X14		2				
008	687123-7	STRAIN RELIEF		1				
009	265101-3	PAN HEAD SCREW M4X25		4				
010	860654-3	MT410 NAME PLATE		1				
011	265104-7	PAN HEAD SCREW M5X40		3				
013	643763-1	BRUSH HOLDER CAP 7-11		2	*			
013-1	643750-0	BRUSH HOLDER CAP 7-11	O	2				
014	191963-2	CARBON BRUSH CB-303		1				
015	153293-9	MOTOR HOUSING COMPLETE		1				
C10	643754-2	BRUSH HOLDER		2	*			
C11	643764-9	BRUSH HOLDER	<	2				
016	594469-3	FIELD ASS'Y 240V		1				
C10	654220-4	RING TERMINAL		2				
C20	654501-6	CONNECTOR P-1.25		2				
017	265105-5	PAN HEAD SCREW M5X60		2				
018	421811-4	RUBBER RING 22		1	*			
019	210029-0	BALL BEARING 608ZZ		1				
020	267240-5	FLAT WASHER 8		1	*			
020-1	681017-8	RESIN WASHER	X	1				
021	513509-8	ARMATURE ASS'Y 240V		1	*			
D10		INC. 19,20,22,23,24			*			
021-1	513509-8	ARMATURE ASS'Y 240V	<	1	*			
D10		INC. 19,20,22,23,24			*			
021-2	513509-8	ARMATURE ASS'Y 240V	<	1				
D10		INC. 19,20,22,23,24						
022	240053-9	FAN 65		1	*			
022-1	240053-9	FAN 65	<	1				
023	267237-4	FLAT WASHER 9		1				
024	210063-0	BALL BEARING 629ZZ		1	*			
024-1	210053-3	BALL BEARING 629LLB	<	1	*			
024-2	210042-8	BALL BEARING 629LLB	O	1				
025	267239-0	FLAT WASHER 7		1				
026	226552-5	HELICAL GEAR 15		1				
027	252174-5	HEX. NUT M6		1				
028	417810-2	BAFFLE PLATE		1				
029	819125-7	MAKTEC LOGO LABEL		1				
030	183468-6	BLADE CASE		1				
D10		INC. 29						
031	210028-2	BALL BEARING 606ZZ		1				
032	252170-3	HEX. NUT M10-17		1				
033	226553-3	HELICAL GEAR 34		1				
034	257245-3	RING 12		1	*			
034-1	257173-2	RING 12	O	1				

