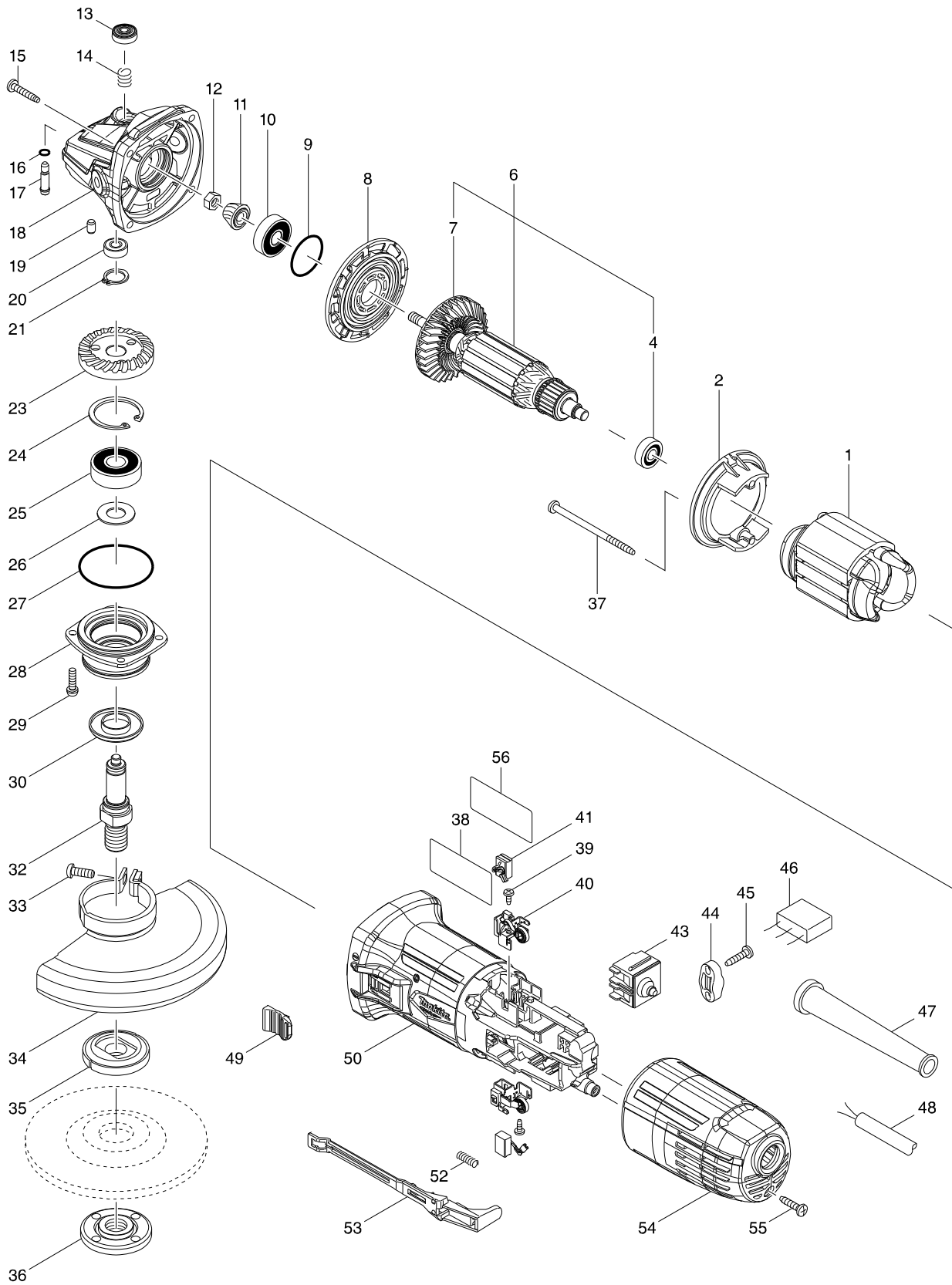


# Model No. M9508 125MM ANGLE GRINDER



# Model No. M9508 125MM ANGLE GRINDER

| Item | Parts No. | Description                  | I/C | QTY | N/O | Opt. 1 | Opt. 2 | NOTE |
|------|-----------|------------------------------|-----|-----|-----|--------|--------|------|
| 001  | 628377-7  | FIELD 220-240V               |     | 1   |     |        |        |      |
| 002  | 457130-2  | BAFFLE PLATE                 |     | 1   |     |        |        |      |
| 004  | 210169-4  | BALL BEARING 607LLB          |     | 1   |     |        |        |      |
| 006  | 513953-9  | ARMATURE ASS'Y 220-240V      |     | 1   |     |        |        |      |
| D10  |           | INC. 4,7                     |     |     |     |        |        |      |
| 007  | 240076-7  | FAN 56                       |     | 1   |     |        |        |      |
| 008  | 457122-1  | BEARING RETAINER             |     | 1   |     |        |        |      |
| 009  | 213407-3  | O RING 26                    |     | 1   |     |        |        |      |
| 010  | 210084-2  | BALL BEARING 629ZZ           |     | 1   |     |        |        |      |
| 011  | 221475-2  | SPIRAL BEVEL GEAR 10         |     | 1   |     |        |        |      |
| 012  | 252186-8  | HEX. NUT M6                  |     | 1   |     |        |        |      |
| 013  | 419589-1  | CAP                          |     | 1   |     |        |        |      |
| 014  | 233376-2  | COMPRESSION SPRING 8         |     | 1   |     |        |        |      |
| 015  | 266324-6  | TAPPING SCREW 4X22           |     | 4   |     |        |        |      |
| 016  | 213960-9  | O RING 5                     |     | 1   |     |        |        |      |
| 017  | 268228-8  | SHOULDER PIN 5               |     | 1   |     |        |        |      |
| 018  | 319487-8  | GEAR HOUSING                 |     | 1   |     |        |        |      |
| 019  | 263002-9  | RUBBER PIN 4                 |     | 1   |     |        |        |      |
| 020  | 210033-9  | BALL BEARING 696ZZ           |     | 1   |     |        |        |      |
| 021  | 961052-5  | RETAINING RING S-12          |     | 1   |     |        |        |      |
| 023  | 221476-0  | SPIRAL BEVEL GEAR 37         |     | 1   |     |        |        |      |
| 024  | 257978-0  | RETAINING RING(INT)R-32      |     | 1   |     |        |        |      |
| 025  | 211345-3  | BALL BEARING 6201DDW         |     | 1   |     |        |        |      |
| 026  | 267238-2  | FLAT WASHER 12               |     | 1   |     |        |        |      |
| 027  | 213622-9  | O RING 45                    |     | 1   |     |        |        |      |
| 028  | 123847-6  | BEARING BOX ASSEMBLY         |     | 1   |     |        |        |      |
| D10  |           | INC. 27                      |     |     |     |        |        |      |
| 029  | 265100-5  | PAN HEAD SCREW M4X16         |     | 4   |     |        |        |      |
| 030  | 345464-4  | LABYRINTH RING               |     | 1   |     |        |        |      |
| 032  | 326829-9  | SPINDLE                      |     | 1   |     |        |        |      |
| 033  | 265103-9  | PAN HEAD SCREW M5X14         |     | 1   |     |        |        |      |
| 034  | 125268-8  | WHEEL COVER ASS'Y            |     | 1   |     |        |        |      |
| D10  |           | INC. 33                      |     |     |     |        |        |      |
| 035  | 224415-9  | INNER FLANGE 42              |     | 1   |     |        |        |      |
| 036  | 224554-5  | LOCK NUT 14-45               |     | 1   |     |        |        |      |
| 037  | 266325-4  | TAPPING SCREW 4X70           |     | 2   |     |        |        |      |
| 038  | 852S55-3  | M9508 NAME PLATE             |     | 1   |     |        |        |      |
| 039  | 266492-5  | TAPPING SCREW 3X8            |     | 2   |     |        |        |      |
| 040  | 643716-0  | BRUSH HOLDER                 |     | 2   |     |        |        |      |
| 041  | 194722-3  | CARBON BRUSH CB-459          |     | 1   |     |        |        |      |
| 043  | 651947-7  | SWITCH 1247.0302             |     | 1   |     |        |        |      |
| 044  | 687123-7  | STRAIN RELIEF                |     | 1   |     |        |        |      |
| 045  | 266326-2  | TAPPING SCREW 4X18           |     | 2   |     |        |        |      |
| 047  | 682583-8  | CORD GUARD                   |     | 1   |     |        |        |      |
| 048  | 666930-1  | POWER SUPPLY CORD 0.75-2-2.0 |     | 1   |     |        |        |      |
| 049  | 418016-5  | SWITCH KNOB                  |     | 1   |     |        |        |      |
| 050  | 457124-7  | MOTOR HOUSING                |     | 1   |     |        |        |      |
| 052  | 233121-5  | COMPRESSION SPRING 4         |     | 1   |     |        |        |      |

## Model No. M9508 125MM ANGLE GRINDER

| Item | Parts No. | Description        | I/C | QTY | N/O | Opt. 1 | Opt. 2 | NOTE |
|------|-----------|--------------------|-----|-----|-----|--------|--------|------|
| 053  | 457129-7  | SWITCH LEVER       |     | 1   |     |        |        |      |
| 054  | 457123-9  | REAR COVER         |     | 1   |     |        |        |      |
| 055  | 266326-2  | TAPPING SCREW 4X18 |     | 1   |     |        |        |      |
| 056  | 892295-7  | CLEAR LABEL        |     | 1   |     |        |        |      |
| A01  | 782423-1  | LOCK NUT WRENCH 35 |     | 1   |     |        |        |      |
| A02  | 153489-2  | GRIP 36 COMPLETE   |     | 1   |     |        |        |      |
|      |           |                    |     |     |     |        |        |      |
|      |           |                    |     |     |     |        |        |      |
|      |           |                    |     |     |     |        |        |      |
|      |           |                    |     |     |     |        |        |      |
|      |           |                    |     |     |     |        |        |      |
|      |           |                    |     |     |     |        |        |      |
|      |           |                    |     |     |     |        |        |      |
|      |           |                    |     |     |     |        |        |      |
|      |           |                    |     |     |     |        |        |      |
|      |           |                    |     |     |     |        |        |      |
|      |           |                    |     |     |     |        |        |      |
|      |           |                    |     |     |     |        |        |      |
|      |           |                    |     |     |     |        |        |      |
|      |           |                    |     |     |     |        |        |      |
|      |           |                    |     |     |     |        |        |      |
|      |           |                    |     |     |     |        |        |      |
|      |           |                    |     |     |     |        |        |      |
|      |           |                    |     |     |     |        |        |      |
|      |           |                    |     |     |     |        |        |      |
|      |           |                    |     |     |     |        |        |      |
|      |           |                    |     |     |     |        |        |      |
|      |           |                    |     |     |     |        |        |      |
|      |           |                    |     |     |     |        |        |      |
|      |           |                    |     |     |     |        |        |      |
|      |           |                    |     |     |     |        |        |      |
|      |           |                    |     |     |     |        |        |      |
|      |           |                    |     |     |     |        |        |      |
|      |           |                    |     |     |     |        |        |      |
|      |           |                    |     |     |     |        |        |      |
|      |           |                    |     |     |     |        |        |      |
|      |           |                    |     |     |     |        |        |      |
|      |           |                    |     |     |     |        |        |      |
|      |           |                    |     |     |     |        |        |      |
|      |           |                    |     |     |     |        |        |      |
|      |           |                    |     |     |     |        |        |      |
|      |           |                    |     |     |     |        |        |      |
|      |           |                    |     |     |     |        |        |      |
|      |           |                    |     |     |     |        |        |      |
|      |           |                    |     |     |     |        |        |      |
|      |           |                    |     |     |     |        |        |      |
|      |           |                    |     |     |     |        |        |      |
|      |           |                    |     |     |     |        |        |      |
|      |           |                    |     |     |     |        |        |      |
|      |           |                    |     |     |     |        |        |      |
|      |           |                    |     |     |     |        |        |      |