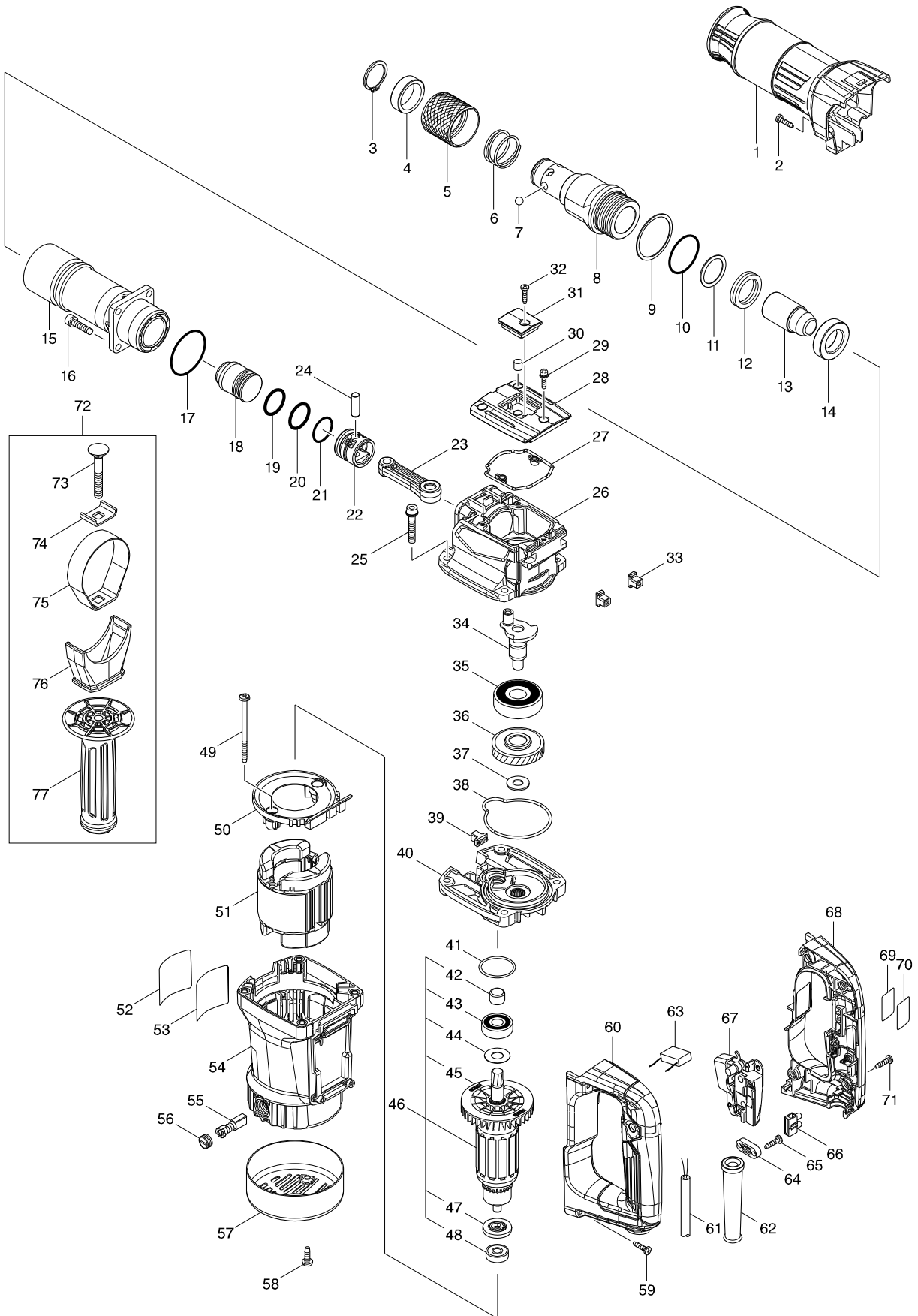


Model No. M8600 DEMOLITION HAMMER



Model No. M8600 DEMOLITION HAMMER

Item	Parts No.	Description	I/C	QTY	N/O	Opt. 1	Opt. 2	NOTE
001	455159-2	BARREL COVER		1				
002	266326-2	TAPPING SCREW 4X18		1				
003	961108-4	RETAINING RING S-28		1				
004	257206-3	RING 29		1				
005	331518-3	CHANGE RING		1				
006	233191-4	COMPRESSION SPRING 30		1				
007	216004-4	STEEL BALL 7.9		6				
008	326423-7	TOOL HOLDER		1				
009	267484-7	FLAT WASHER 43		1				
010	213508-7	O RING 38		1				
011	213411-2	O RING 27		1				
012	213428-5	X RING 28		1				
013	326422-9	IMPACT BOLT		1				
014	257361-1	RING 24		1				
015	142706-5	BARREL COMPLETE		1				
016	265914-2	HEX. SOCKET HEAD BOLT M6X25		4				
017	213569-7	O RING 45		1				
018	326421-1	STRIKER		1				
019	213787-7	O-RING 22		1				
020	213787-7	O-RING 22		1				
021	213380-7	O RING 24		1				
022	455158-4	PISTON		1				
023	455157-6	CONNECTING ROD		1				
024	268104-6	PIN 8		1				
025	266902-2	H.S. HEAD BOLT M6X35 WITH WR		4				
026	319292-3	CRANK HOUSING		1				
027	424633-1	SEAL RING A		1				
028	455160-7	CRANK CAP		1				
029	266948-8	HEX S. H. BOLT M4X20 WITH WR		3				
030	443153-6	FELT		1				
031	455161-5	CRANK CAP COVER		1				
032	266326-2	TAPPING SCREW 4X18		1				
033	455165-7	FIX GUIDE		2				
034	326420-3	CRANK SHAFT		1				
035	211498-8	BALL BEARING 6303LLU		1				
036	227792-8	HELICAL GEAR 35		1				
037	253024-7	FLAT WASHER 10		1				
038	424632-3	SEAL RING B		1				
039	455165-7	FIX GUIDE		1				
040	142703-1	GEAR HOUSING COMPLETE		1				
C10	213231-4	OIL SEAL 15		1				
041	213459-4	O RING 32		1				
042	331596-3	SLEEVE 12		1				
043	210118-1	BALL BEARING 6201DDW		1				
044	253759-0	FLAT WASHER 12		1				
045	241863-7	FAN 70		1				
046	513924-6	ARMATURE ASS'Y 240V		1				
D10		INC. 42-45,47,48						

Please order the parts with a part number.

Print Date 11/06/2016

Model No. M8600 DEMOLITION HAMMER

Item	Parts No.	Description	I/C	QTY	N/O	Opt. 1	Opt. 2	NOTE
047	681644-1	INSULATION WASHER		1				
048	210029-0	BALL BEARING 608ZZ		1				
049	266386-4	TAPPING SCREW 5X75		2				
050	455162-3	BAFFLE PLATE		1				
051	594664-5	FIELD ASS'Y 240V		1				
C10	654019-7	RING TERMINAL		2				
C20	654501-6	CONNECTOR P-1.25		2				
052	804Y03-4	CLEAR LABEL		1				
053	850Y58-7	M8600 NAME PLATE		1				
054-1	143961-2	MOTOR HOUSING COMPLETE		1				
C10	643603-3	BRUSH HOLDER 6-10		2				
055	181038-5	A.C. CARBON BRUSH CB-105		1				
056	643600-9	BRUSH HOLDER CAP 6-10		2				
057	284059-7	REAR COVER		1				
058	266388-0	TAPPING SCREW 5X16		2				
059	266326-2	TAPPING SCREW 4X18		4				
060-1	183B11-3	HANDLE SET		1				
D10		INC. 68						
061	695480-9	POWER SUPPLY CORD 1.0-2-2.5		1				
062	682540-6	CORD GUARD 9.3-90		1				
064	687124-5	STRAIN RELIEF		1				
065	266326-2	TAPPING SCREW 4X18		2				
067	650253-7	SWITCH TN19		1				
068-1	183B11-3	HANDLE SET		1				
D10		INC. 60						
069	850Y60-0	M8600 SERIAL NO. LABEL		1				
070	893072-0	CLEAR LABEL		1				
071	266326-2	TAPPING SCREW 4X18		4				
072	126457-8	GRIP ASS'Y		1				
D10		INC. 73-77						
073	266895-3	CUP SQUARE NECK BOLT M8X55		1				
074	344492-6	PLATE		1				
075	346794-6	GRIP SPRING 62		1				
076	455166-5	SIDE GRIP BASE 60		1				
077	162363-3	GRIP 34 COMPLETE		1				
A01	821658-0	PLASTIC CARRYING CASE		1				
C10	452432-1	SLIDE LATCH		2				
C20	806G57-9	MAKITA MT LOGO LABEL		1				
A02-1	806S55-5	M8600B PLASTIC CASE LABEL		2				

Please order the parts with a part number.