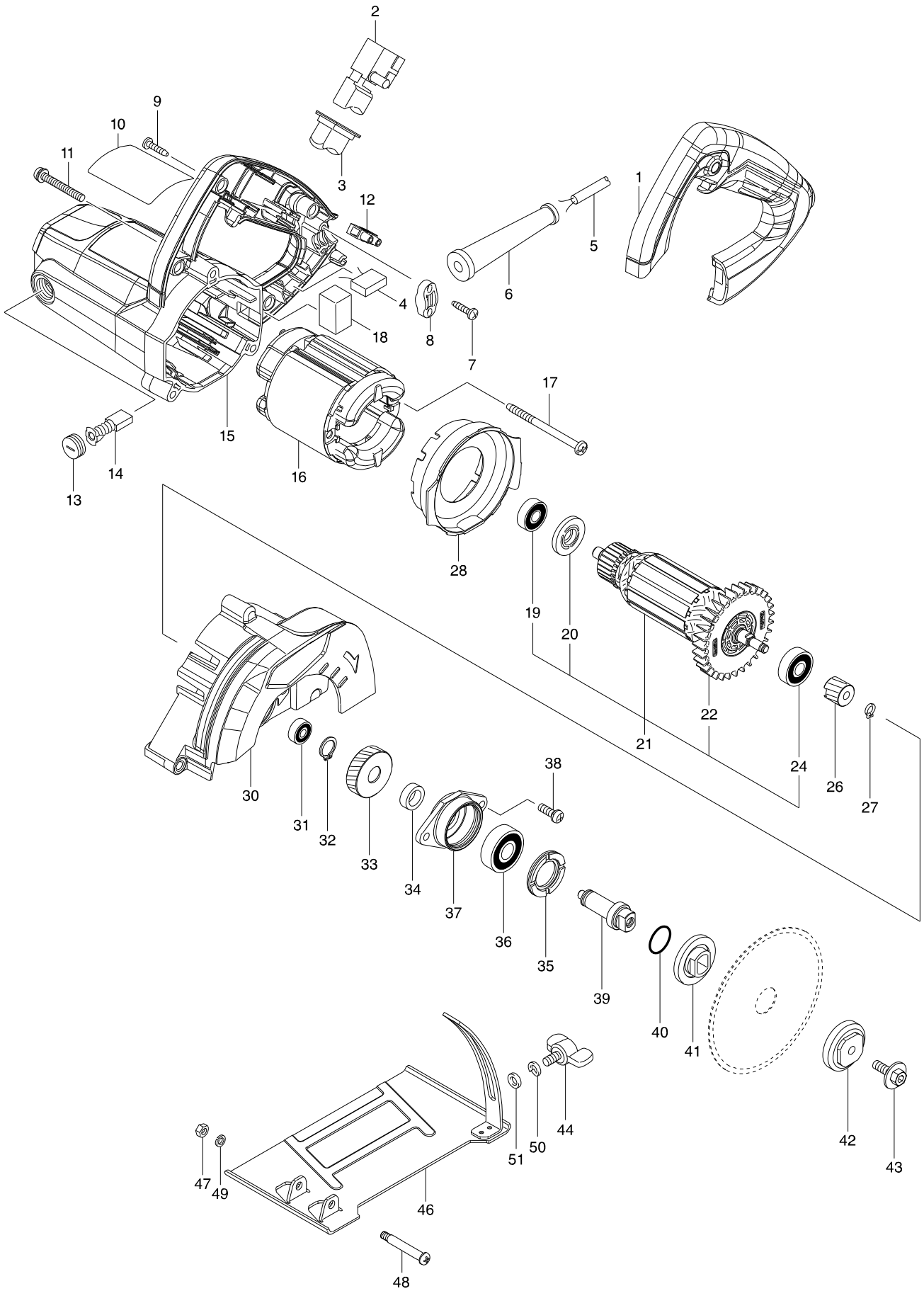


Model No. M4101 125MM CUTTER



Model No. M4101 125MM CUTTER

Item	Parts No.	Description	I/C	QTY	N/O	Opt. 1	Opt. 2	NOTE
001	457566-5	HANDLE COVER		1				
002	650239-1	SWITCH FA1-6/1B		1		85366990		
003	421812-2	DUST COVER		1		84679900		
005	666053-5	POWER SUPPLY CORD 1.0-2-2.0		1		85442090		
006	682503-2	CORD GUARD 8-90		1		73182990		
007	266326-2	TAPPING SCREW 4X18		2		73181500		
008	687123-7	STRAIN RELIEF		1		84679900		
009	266326-2	TAPPING SCREW 4X18		4		73181500		
010	853C04-7	M4101 NAME PLATE		1				
011	265104-7	PAN HEAD SCREW M5X40		3		73181500		
013	643003-7	HOLDER CAP 7X11		2				
014	191963-2	CARBON BRUSH CB-303		1		85452000		
015	144446-1	MOTOR HOUSING COMPLETE		1				
C10	643708-9	BRUSH HOLDER 5-11		2		82078000		
016	593964-0	FIELD ASS'Y 240V		1		85030090		
C10	654449-2	RING TERMINAL		2		73182990		
C20	654485-8	PARALLEL SPLICE		2				
017	266389-8	TAPPING SCREW 5X70		2		73181500		
019	210029-0	BALL BEARING 608ZZ		1		84821090		
020	681644-1	INSULATION WASHER		1		73182200		
021	513814-3	ARMATURE ASS'Y 240V		1		85030090		
D10		INC. 19,20,22,24						
022	240109-8	FAN 70		1		84145190		
024	210125-4	BALL BEARING 629DDW		1		84821090		
026	227738-4	HELICAL GEAR 17		1		84679900		
027	961002-0	RETAINING RING S-6		1		73182990		
028	452461-4	BAFFLE PALTE		1		73182990		
030	144445-3	BLADE CASE COMPLETE		1				
C10	213445-5	O-RING 26		1		40169320		
031	210028-2	BALL BEARING 606ZZ		1		84821090		
032	961052-5	RETAINING RING S-12		1		73182990		
033	227739-2	HELICAL GEAR 44		1		84679900		
034	257173-2	RING 12		1		73182990		
035	285852-2	BEARING RETAINER 19-33		1		73182990		
036	211145-1	BALL BEARING 6201ZZ		1		84821090		
037	318682-7	BEARING BOX		1		84833000		
038	265120-9	PAN HEAD SCREW M5X16		2		73181500		
039	326013-6	SPINDLE		1		84679900		
040	213279-6	O RING 18		1		40169320		
041	224080-4	INNER FLANGE 36		1		73182990		
042	224081-2	OUTER FLANGE 36		1		73182990		
043	266510-9	HEX. SOCKET HEX. BOLT M6X18		1		73181500		
044	265754-8	THUMB SCREW M6X12		1		73181500		
046	165630-5	BASE		1		84679900		
047	252175-3	HEX. NUT M5		1		73181500		
048	265056-2	+ PAN HEAD SCREW M5		1		73181500		
049	942101-7	SPRING WASHER 5		1		73182200		
050	942151-2	SPRING WASHER 6		1		73182200		

