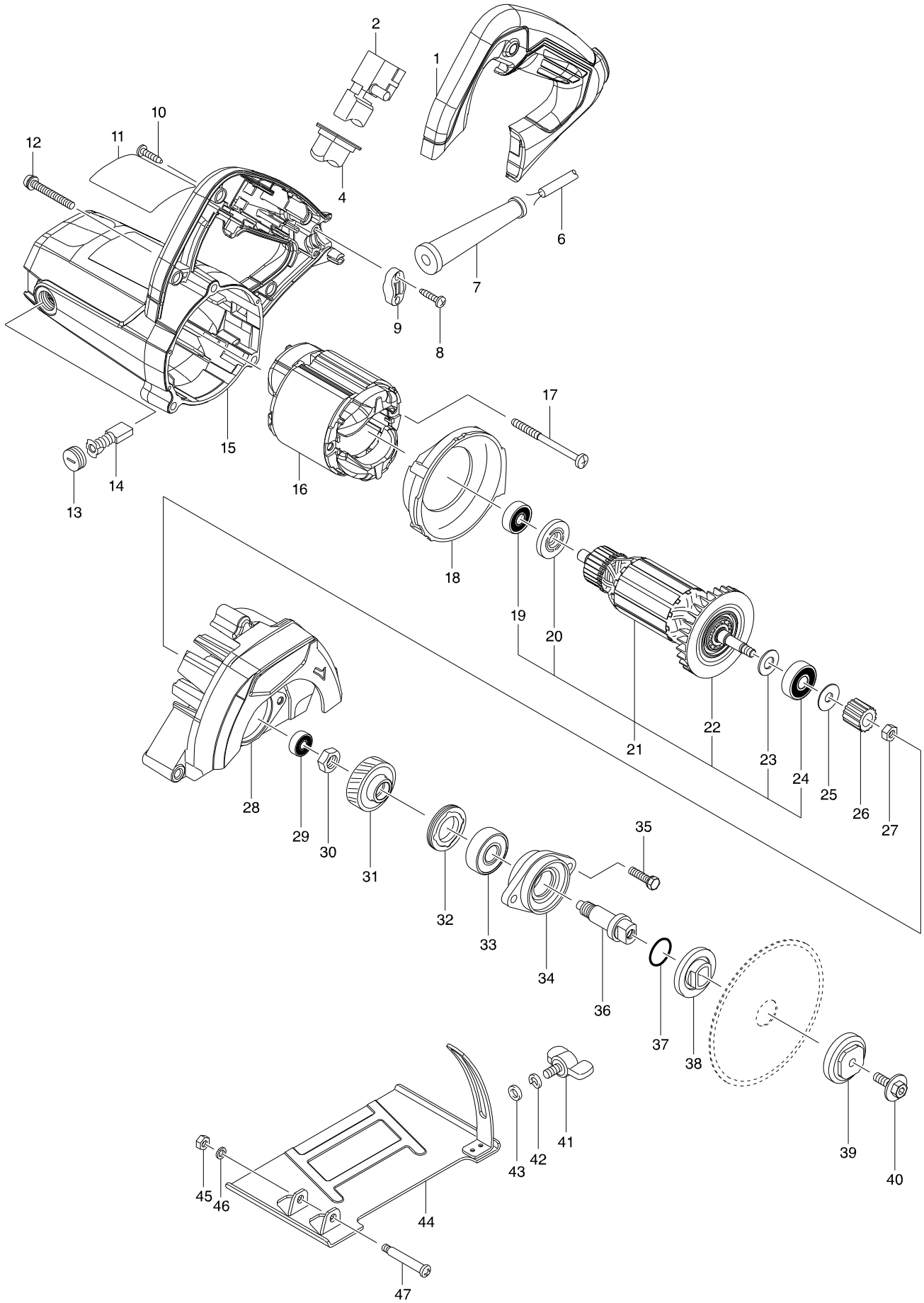


Model No. M4100 110MM CUTTER



Model No. M4100 110MM CUTTER

Item	Parts No.	Description	I/C	QTY	N/O	Opt. 1	Opt. 2	NOTE
001	456488-6	HANDLE COVER		1				
002	650239-1	SWITCH FA1-6/1B		1				
004	421812-2	DUST COVER		1				
006	666053-5	POWER SUPPLY CORD 1.0-2-2.0		1				
007	682503-2	CORD GUARD 8-90		1				
008	266326-2	TAPPING SCREW 4X18		2				
009	687123-7	STRAIN RELIEF		1				
010	266326-2	TAPPING SCREW 4X18		4				
011	852G81-0	M4100 NAME PLATE		1				
012	265104-7	PAN HEAD SCREW M5X40		3				
013	643003-7	HOLDER CAP 7X11		2				
014	191963-2	CARBON BRUSH CB-303		1				
015	143584-6	MOTOR HOUSING COMPLETE		1				
C10	644501-4	BRUSH HOLDER 5X11		2				
016	593969-0	FIELD ASS'Y 240V		1				
C10	654020-2	RING TERMINAL		2				
C20	654501-6	CONNECTOR P-1.25		2				
017	266352-1	TAPPING SCREW 5X65		2				
018	417810-2	BAFFLE PLATE		1				
019	210046-0	BALL BEARING 608ZZ		1				
020	681644-1	INSULATION WASHER		1				
021	513874-5	ARMATURE ASS'Y 240V		1				
D10		INC. 19,20,22-24						
022	240053-9	FAN 65		1				
023	267237-4	FLAT WASHER 9		1				
024	210125-4	BALL BEARING 629DDW		1				
025	267239-0	FLAT WASHER 7		1				
026	226552-5	HELICAL GEAR 15		1				
027	252186-8	HEX. NUT M6		1				
028	143583-8	BLADE CASE COMPLETE		1				
C10	263002-9	RUBBER PIN 4		1				
029	210137-7	BALL BEARING 606ZZ		1				
030	252170-3	HEX. NUT M10-17		1				
031	227767-7	HELICAL GEAR 34		1				
032	285025-7	BEARING RETAINER 19-33		1				
033	211145-1	BALL BEARING 6201ZZ		1				
034	317550-1	BEARING BOX		1				
035	265497-2	+ HEX. BOLT M5X20		2				
036	324221-3	SPINDLE		1				
037	213279-6	O RING 18		1				
038	224080-4	INNER FLANGE 36		1				
039	224081-2	OUTER FLANGE 36		1				
040	266510-9	HEX. SOCKET HEX. BOLT M6X18		1				
041	265754-8	THUMB SCREW M6X12		1				
042	942151-2	SPRING WASHER 6		1				
043	941151-9	FLAT WASHER 6		1				
044	165711-5	BASE		1				
045	252175-3	HEX. NUT M5		1				

