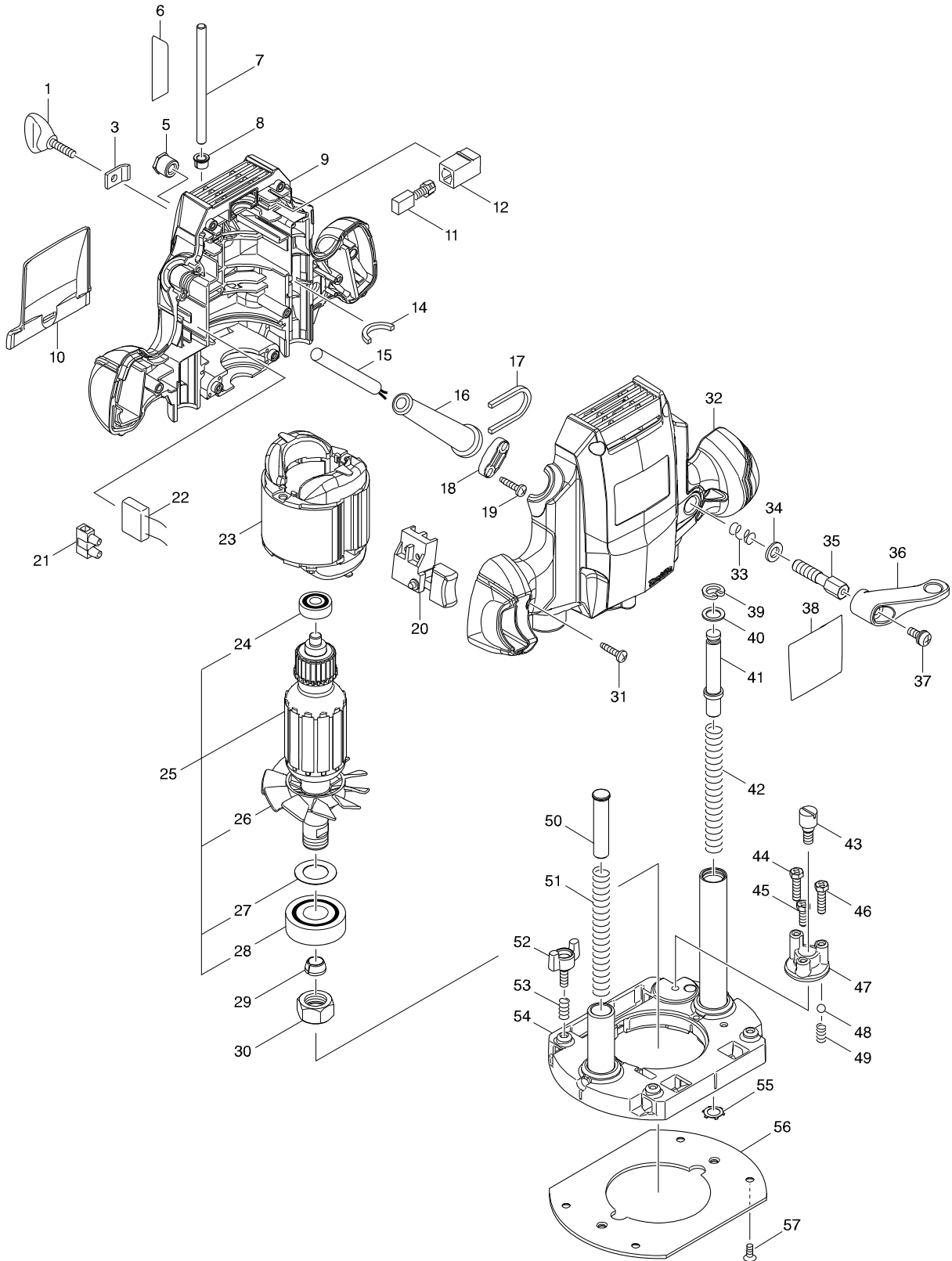


Model No. M3601 ROUTER



Model No. M3601 ROUTER

| Item | Parts No. | Description | I/C | QTY | N/O | Opt. 1 | Opt. 2 | NOTE |
|------|-----------|-----------------------------|-----|-----|-----|--------|--------|------|
| 001 | 251878-6 | SCREW M5X20 | | 1 | | | | |
| 003 | 346007-5 | PRESSURE PLATE | | 1 | | | | |
| 005 | 252094-3 | HEX. NUT M8 | | 1 | | | | |
| 006 | 893386-7 | SCALE LABEL | | 1 | | | | |
| 007 | 321948-6 | STOPPER POLE | | 1 | | | | |
| 008 | 451035-8 | DEPTH POINTER | | 1 | | | | |
| 009 | 183E25-0 | HOUSING SET | | 1 | | | | |
| C10 | 263002-9 | RUBBER PIN 4 | | 3 | | | | |
| C20 | 263005-3 | RUBBER PIN 6 | | 1 | | | | |
| C30 | 931202-6 | HEX. NUT M5 | | 1 | | | | |
| D10 | | INC. 32 | | | | | | |
| 010 | 450820-6 | CHIP DEFLECTOR | | 1 | | | | |
| 011 | 181410-1 | CARBON BRUSH CB-106 | | 1 | | | | |
| 012 | 643601-7 | BRUSH HOLDER 6-10 | | 2 | | | | |
| 014 | 443073-4 | FELT | | 1 | | | | |
| 015 | 666053-5 | POWER SUPPLY CORD 1.0-2-2.0 | | 1 | | | | |
| 016 | 682569-2 | CORD GUARD 8-85 | | 1 | | | | |
| 017 | 443074-2 | FELT | | 1 | | | | |
| 018 | 687123-7 | STRAIN RELIEF | | 1 | | | | |
| 019 | 266326-2 | TAPPING SCREW 4X18 | | 2 | | | | |
| 020 | 650218-9 | SWITCH FA1-6/1W-1 | | 1 | | | | |
| 023 | 594594-0 | FIELD ASS'Y 240V | | 1 | | | | |
| C10 | 654037-5 | INSULATED TERM. FT1.25-M3 | | 2 | | | | |
| 024 | 210029-0 | BALL BEARING 608ZZ | | 1 | | | | |
| 025 | 510205-9 | ARMATURE ASS'Y 240V | | 1 | | | | |
| D10 | | INC. 24,26-28 | | | | | | |
| 026 | 240123-4 | FAN 72 | | 1 | | | | |
| 027 | 267114-0 | FLAT WASHER 17 | | 1 | | | | |
| 028 | 211285-5 | BALL BEARING 6203DDW | | 1 | | | | |
| 029 | 763618-5 | COLLET CONE 8MM | | 1 | | | | |
| 030 | 763615-1 | COLLET NUT | | 1 | | | | |
| 031 | 266326-2 | TAPPING SCREW 4X18 | | 7 | | | | |
| 032 | 183E25-0 | HOUSING SET | | 1 | | | | |
| C10 | 263002-9 | RUBBER PIN 4 | | 3 | | | | |
| C20 | 263005-3 | RUBBER PIN 6 | | 1 | | | | |
| C30 | 931202-6 | HEX. NUT M5 | | 1 | | | | |
| D10 | | INC. 9 | | | | | | |
| 033 | 233110-0 | COMPRESSION SPRING 8 | | 1 | | | | |
| 034 | 941202-8 | FLAT WASHER 8 | | 1 | | | | |
| 035 | 266920-0 | SET BOLT M8 | | 1 | | | | |
| 036 | 450821-4 | LEVER 47 | | 1 | | | | |
| 037 | 911213-7 | PAN HEAD SCREW M5X12 | | 1 | | | | |
| 038 | 852C08-6 | M3601 NAME PLATE | | 1 | | | | |
| 039 | 962065-9 | RETAINING RING R-15 | | 1 | | | | |
| 040 | 267047-9 | FLAT WASHER 10 | | 1 | | | | |
| 041 | 451524-3 | PIN 10 | | 1 | | | | |
| 042 | 231416-0 | COMPRESSION SPRING 10 | | 1 | | | | |
| 043 | 251447-3 | - FLAT HEAD SCREW M6 | | 1 | | | | |

Please order the parts with a part number.

Print Date 11/06/2016

