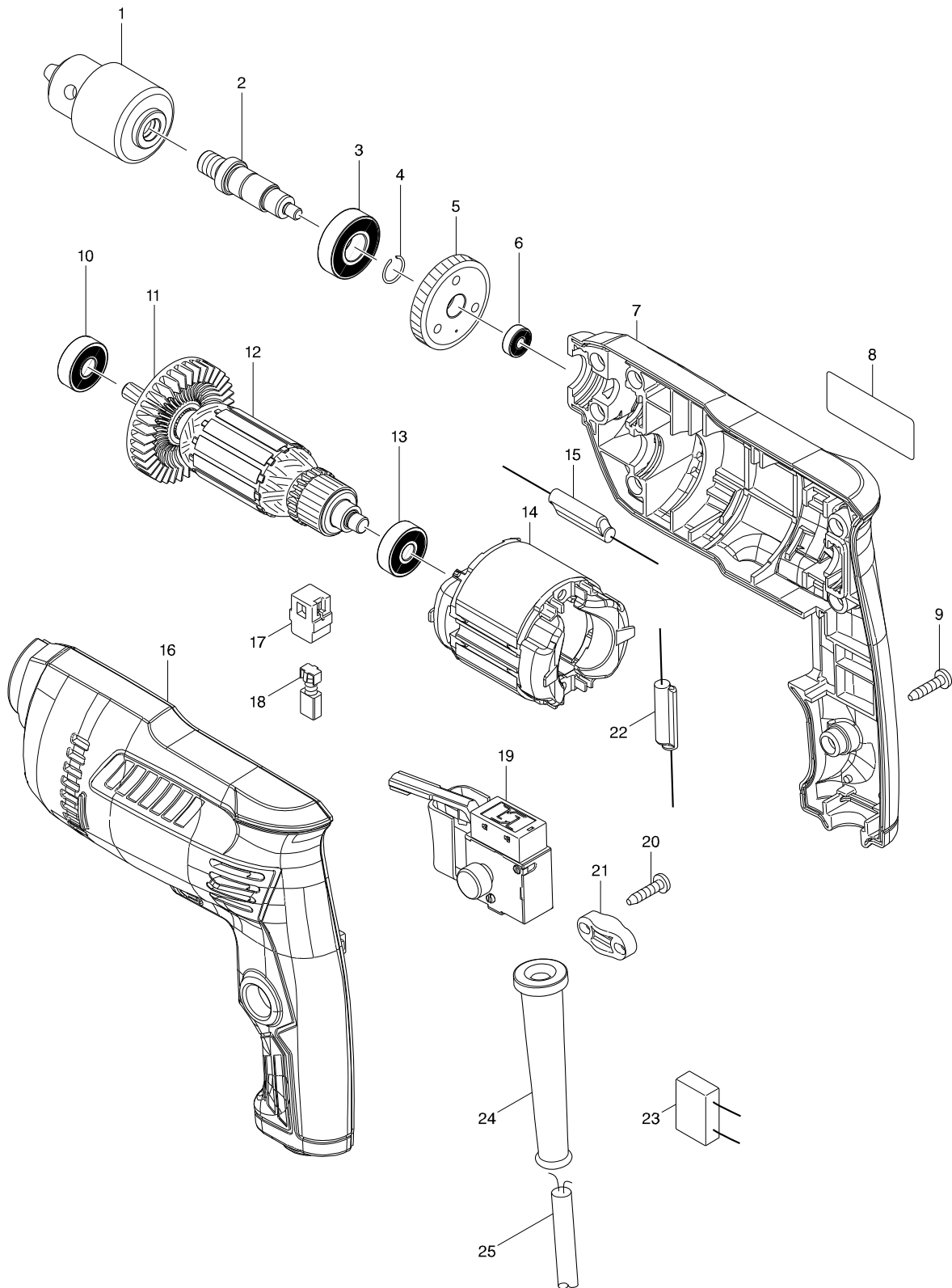


# Model No. M0600 10MM DRILL



**Model No. M0600 10MM DRILL**

Item	Parts No.	Description	I/C	QTY	N/O	Opt. 1	Opt. 2	NOTE
001	766014-6	DRILL CHUCK S10		1				
002	326025-9	SPINDLE		1				
003	210119-9	BALL BEARING 6001ZZ		1				
004	233950-6	RING SPRING 11		1				
005	227742-3	HELICAL GEAR 35		1				
006	210137-7	BALL BEARING 606ZZ		1				
007	183B23-6	HOUSING SET		1				
D10		INC. 16						
008	851A82-9	M0600 NAME PLATE		1				
009	266326-2	TAPPING SCREW 4X18		7				
010	210046-0	BALL BEARING 608ZZ		1				
011	240127-6	FAN 52		1				
012	515834-3	ARMATURE ASS'Y 240V		1				
D10		INC. 10,11,13						
013	210050-9	BALL BEARING 627ZZ		1				
014	633844-9	FIELD 240V		1				
016	183B23-6	HOUSING SET		1				
D10		INC. 7						
017	643566-3	BRUSH HOLDER 5X8		2				
018	191627-8	CARBON BRUSH CB-64		1				
019	650240-6	SWITCH FA2-4/1BEK		1				
020	266326-2	TAPPING SCREW 4X18		2				
021	687123-7	STRAIN RELIEF		1				
024	682582-0	CORD GUARD		1				
025	666930-1	POWER SUPPLY CORD 0.75-2-2.0		1				
A01	763447-6	CHUCK KEY S10		1				