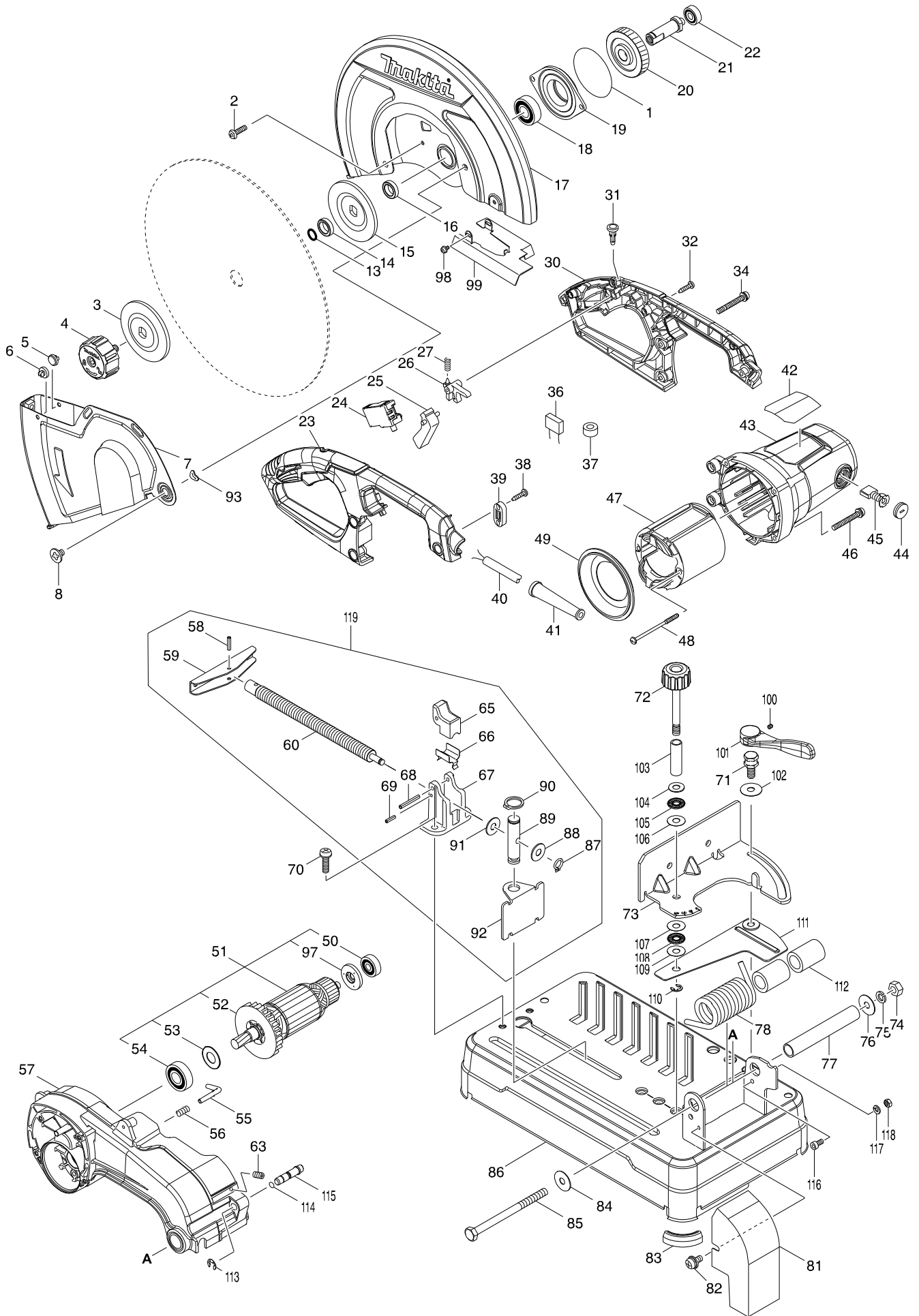


Model No. LW1400 355MM PORTABLE CUT-OFF



Model No. LW1400 355MM PORTABLE CUT-OFF

Item	Parts No.	Description	I/C	QTY	N/O	Opt. 1	Opt. 2	NOTE
001	213858-0	O-RING 65		1				
002	265122-5	PAN HEAD SCREW M5X20		4				
003	224299-5	FLANGE 90		1				
004	123478-1	TOOLLESSBOLT ASSEMBLY		1				
005	418142-0	PLUG		1				
006	418142-0	PLUG		1				
007	161398-1	SAFETY GUIDE		1				
008	265121-7	+ FLAT HEAD SCREW M6		1				
013	213180-5	O RING 14		1				
014	257255-0	RING 17		1				
015	224299-5	FLANGE 90		1				
016	257255-0	RING 17		1				
017	161400-0	SAFETY COVER		1				
018	211282-1	BALL BEARING 6203ZZ		1				
019	319393-7	BEARING BOX		1				
020	227811-0	HELICAL GEAR 50		1				
021	324321-9	SPINDLE		1				
022	210067-2	BALL BEARING 6000ZZ		1				
023	183C14-3	HANDLE SET		1				
D10		INC. 30						
024	650716-3	SWITCH TGC31B		1				
025	418141-2	SWITCH LEVER		1				
026	418139-9	SWITCH LOCK		1				
027	231397-8	COMPRESSION SPRING 4		1				
030	183C14-3	HANDLE SET		1				
D10		INC. 23						
031	411478-6	SWITCH BUTTON		1	*			
031-1	417113-4	SWITCH BUTTON	<	1				
032	266326-2	TAPPING SCREW 4X18		4				
034	265104-7	PAN HEAD SCREW M5X40		3				
038	266326-2	TAPPING SCREW 4X18		2				
039	687124-5	STRAIN RELIEF		1				
040	665872-6	POWER SUPPLY CORD 1.0-2-3.0		1				
041	682540-6	CORD GUARD 9.3-90		1				
042	851S34-8	LW1400 NAME PLATE		1				
043	143463-8	MOTOR HOUSING COMPLETE		1				
C10	643712-8	BRUSH HOLDER		2				
044	643700-5	BRUSH HOLDER CAP 7-18		2				
045	191953-5	CARBON BRUSH CB-203		1				
046	265104-7	PAN HEAD SCREW M5X40		4				
047	593909-8	FIELD ASS'Y 240V		1				
C10	654197-3	RING TERMINAL		2				
C20	654502-4	CONNECTOR P-2		2				
048	265A13-6	TAPPING SCREW 5X85		2				
049	418143-8	BAFFLE PLATE		1				
050	210070-3	BALL BEARING 6200ZZ		1				
051	513463-6	ARMATURE ASS'Y 220-240V		1				
D10		INC. 50,52-54,97						

Model No. LW1400 355MM PORTABLE CUT-OFF

Item	Parts No.	Description	I/C	QTY	N/O	Opt. 1	Opt. 2	NOTE
052	240164-0	FAN 80		1				
053	267714-6	WASHER 15		1				
054	211240-7	BALL BEARING 6200ZZ		1				
055	324322-7	STOPPER		1				
056	233372-0	COMPRESSION SPRING 7		1				
057	143464-6	GEAR HOUSING COMPLETE		1	*			
C10	263029-9	RUBBER PIN 6		1	*			
057-1	143464-6	GEAR HOUSING COMPLETE	S	1				
C10	263029-9	RUBBER PIN 6		1				
058	951163-4	SPRING PIN 5-20		1				
059	272027-2	HANDLE 120		1				
060	324323-5	WISE SCREW		1				
063	266321-2	H.S.SET SCREW(FLAT POINT)M6X16		1				
065	313114-9	WISE NUT		1				
066	345311-9	PLATE		1				
067	317662-0	SCREW GUIDE		1				
068	951175-7	SPRING PIN 5-36		1				
069	951110-5	SPRING PIN 4-16		1				
070	265125-9	PAN HEAD SCREW M8X30		2				
071	266996-7	COLLAR BOLT M10X20		1				
072	271331-6	KNOB 40		1				
073	346970-2	GUIDE PLATE		1				
074	931503-2	HEX. NUT M10		1	*			
074-1	252183-4	HEX.NUT M10-17	<	1				
075	942251-8	SPRING WASHER 10		1				
076	253197-6	FLAT WASHER 10		1				
077	331648-0	PIPE 20-128		1				
078	233633-8	TORSION SPRING 33		1				
081	161399-9	SPARK GUARD		1				
082	265144-5	PAN HEAD SCREW M6X12		1				
083	421834-2	CUSHION		3				
084	253197-6	FLAT WASHER 10		1				
085	265509-1	HEX.BOLT M10X140		1				
086	161397-3	BASE		1				
087	961004-6	RETAINING RING S-8		1				
088	267257-8	FLAT WASHER 8		1				
089	256545-8	PIN 16		1				
090	961056-7	RETAINING RING S-16		1				
091	267257-8	FLAT WASHER 8		1				
092	346636-4	WISE PLATE		1				
093	253903-9	WAVE WASHER 6		1				
097	681630-2	INSULATION WASHER		1				
098	911103-4	PAN HEAD SCREW M4X6		2				
099	346971-0	SPARK COVER		1				
100	266264-8	H.S.SET SCREW(FLAT POINT)M5X6		1				
101	272286-8	LEVER 125		1				
102	253197-6	FLAT WASHER 10		1				
103	257389-9	SLEEVE 11		1				

