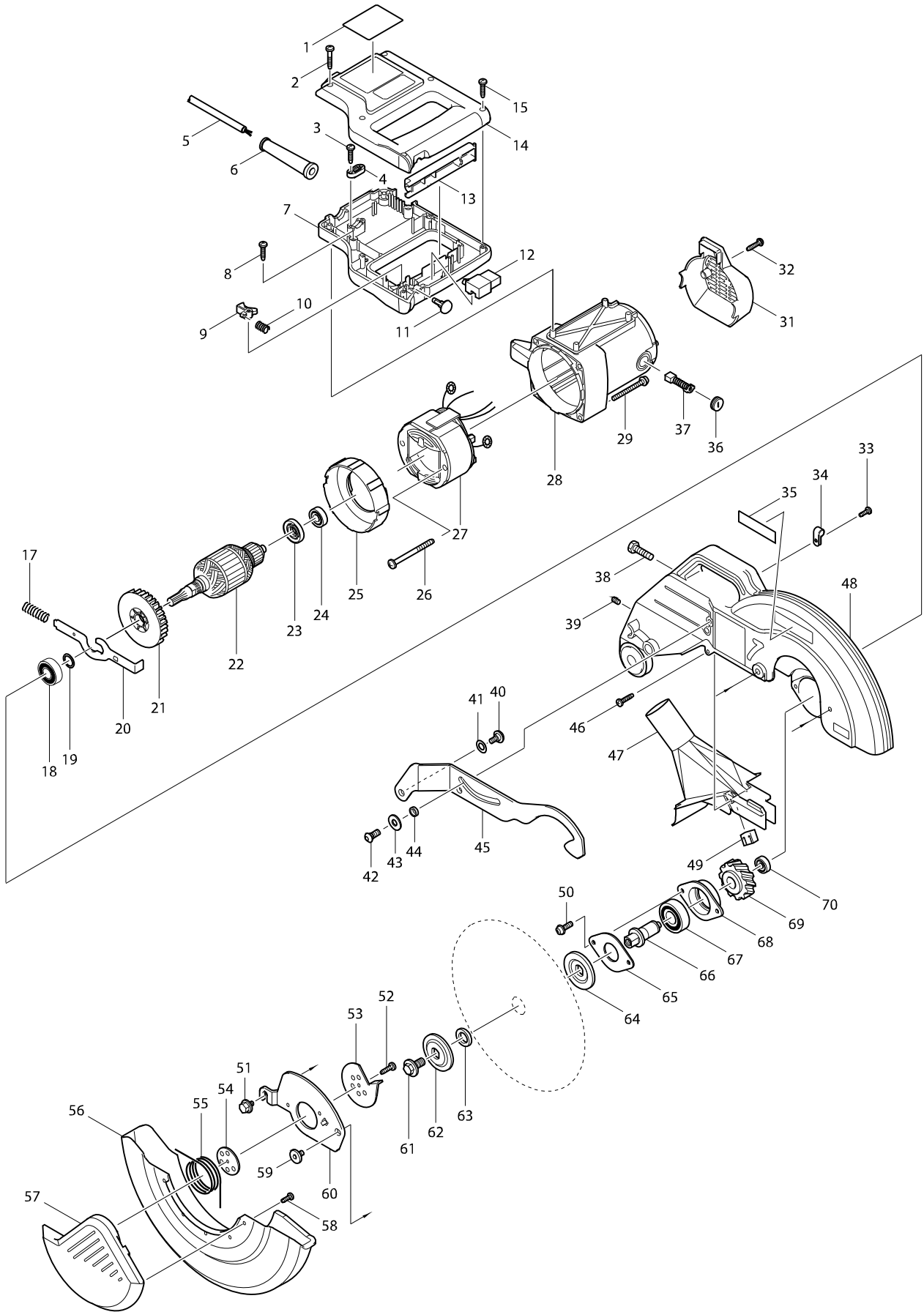
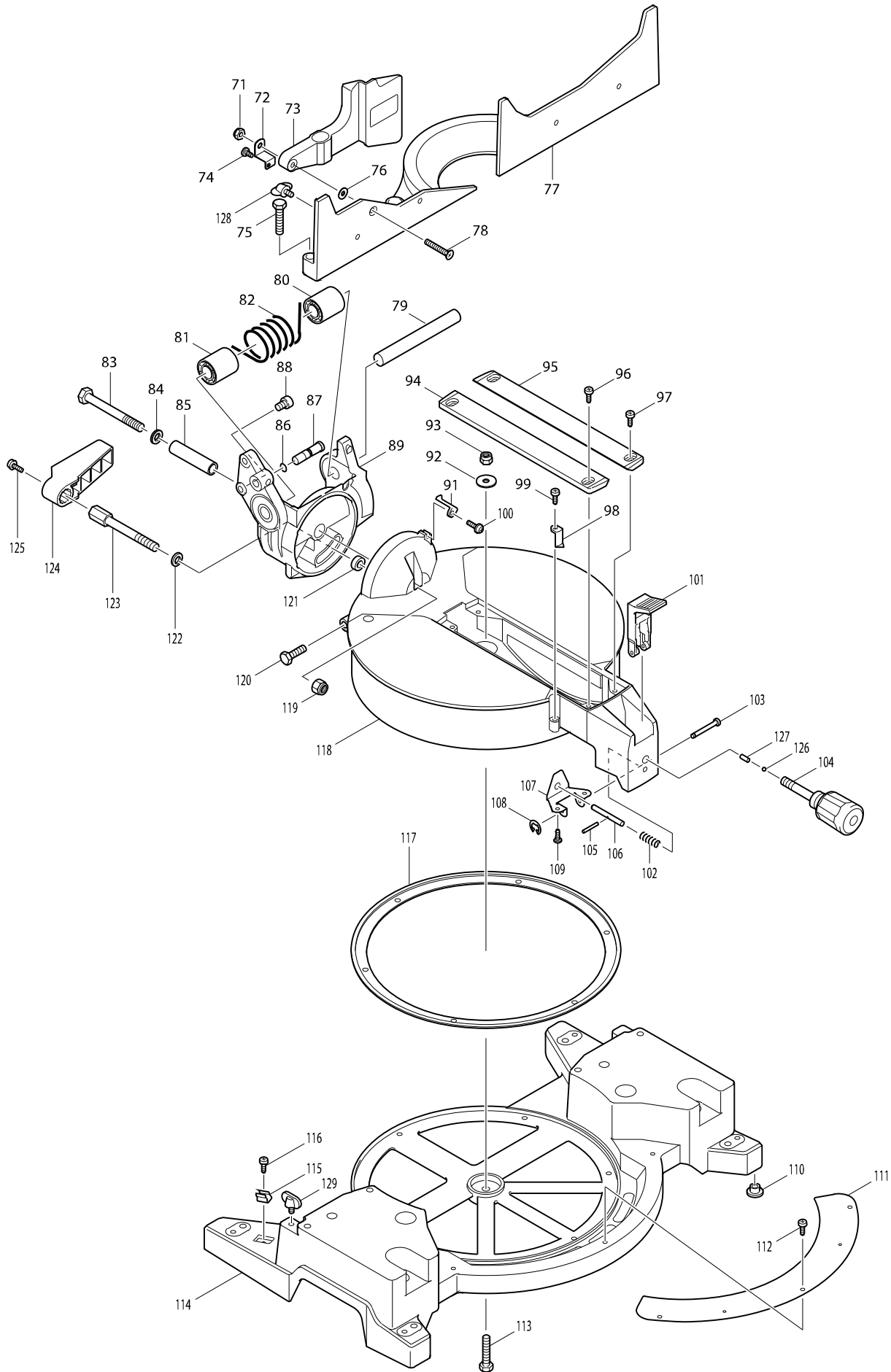


Model No. LS1221 COMPOUND MITER SAW 305MM



Model No. LS1221 COMPOUND MITER SAW 305MM



Model No. LS1221 COMPOUND MITER SAW 305MM

Item	Parts No.	Description	I/C	QTY	N/O	Opt. 1	Opt. 2	NOTE
001	853489-9	NAME PLATE LS1221		1				
002	265999-8	TAPPING SCREW 4X25		2				
003	265995-6	TAPPING SCREW 4X18		2				
004	687052-4	STRAIN RELIEF		1				
005	665865-3	POWER SUPPLY CORD 1.0-2-2.5		1				
006	682540-6	CORD GUARD 9.3-90		1				
007	182954-4	HANDLE SET		1				
C10	817880-5	CAUTION LABEL		1				
D10		INC. 14						
008	265995-6	TAPPING SCREW 4X18		2				
009	416356-5	LOCK-OFF LEVER		1				
010	231026-3	COMPRESSION SPRING 4		1				
011	416404-0	SWITCH BUTTON		1				
012	651923-1	SWITCH TG70B		1				
013	416357-3	SWITCH LEVER		1				
014	182954-4	HANDLE SET		1				
C10	817880-5	CAUTION LABEL		1				
D10		INC. 7						
015	265995-6	TAPPING SCREW 4X18		4				
017	231297-2	COMPRESSION SPRING 9		1				
018	211206-7	BALL BEARING 6202LLB		1				
019	253147-1	FLAT WASHER 15		1				
020	343641-2	SHAFT LOCK		1				
021	240003-4	FAN 80		1				
022-1	510072-2	ARMATURE ASS'Y 220-240V		1				
D10		INC. 18,19,21,23,24						
023	681640-9	INSULATION WASHER		1				
024	211061-7	BALL BEARING 6000LLB		1				
025	416361-2	BAFFLE PLATE		1				
026	266044-2	TAPPING SCREW 5X60		2				
027	596238-8	FIELD ASS'Y 220-240V		1				
C10	654020-2	RING TERMINAL		2				
C20	654553-7	CONNECTOR 34137		2				
028	150787-5	MOTOR HOUSING COMPLETE		1				
C10	643660-1	BRUSH HOLDER 6.5-13.5		2	*			
C11	643653-8	BRUSH HOLDER 6.5-13.5	O	2				
029	911383-2	PAN HEAD SCREW M6X60		4				
031	417833-0	REAR COVER		1				
032	265995-6	TAPPING SCREW 4X18		2				
033	266026-4	TAPPING SCREW BIND CT 4X12		1				
034	687095-6	STRAIN RELIEF		1				
036	643650-4	BRUSH HOLDER CAP 6.5-13.5		2				
037	181044-0	CARBON BRUSH CB-153		1				
038	265371-4	HEX. BOLT M8X30		1				
039	251961-9	H.S.SET SCREW(FLAT POINT)M6X10		2				
040	266179-9	BINDING HEAD SCREW M6		1				
041	253758-2	FLAT WASHER 10		1				
042	265984-1	HEX.SOCKET BUTTON HEAD BOLT M6		1				

Model No. LS1221 COMPOUND MITER SAW 305MM

Item	Parts No.	Description	I/C	QTY	N/O	Opt. 1	Opt. 2	NOTE
043	253823-7	FLAT WASHER 7		1				
044	257162-7	RING 7		1				
045	344542-7	LINK PLATE		1				
046	265995-6	TAPPING SCREW 4X18		2				
047	416367-0	DUST NOZZLE		1				
048-1	150789-1	BLADE CASE COMPLETE		1				
C10	817667-5	CAUTION LABEL		1				
C20	817829-5	CAUTION LABEL		1				
049	421612-0	CUSHION		1				
050	911223-4	PAN HEAD SCREW M5X16		2				
051	265324-3	HEX. FLANGE HEAD BOLT M8X12		1				
052	266034-5	TAPPING SCREW CT 4X16		1				
053	344540-1	CENTER PLATE		1				
054	344539-6	CENTER WASHER		1				
055	231634-0	TORSION SPRING 45		1				
056	417836-4	SAFETY COVER B		1				
057-1	316940-5	SAFETY COVER A		1				
058	266026-4	TAPPING SCREW BIND CT 4X12		3				
059	265985-9	HEX.SOCKET HEAD BOLT M6		1				
060	344541-9	CENTER COVER		1				
061	265405-3	HEX. FRANGE HEAD BOLT M10X20		1				
062	224333-1	FLANGE 53		1				
063	257060-5	RING 15.8		1				
064	224333-1	FLANGE 53		1				
065	285828-9	BEARING RETAINER 66		1				
066	322625-3	SPINDLE		1				
067	211256-2	BALL BEARING 6203LLB		1				
068	316473-0	BEARING BOX		1				
069	226482-0	HELICAL GEAR 49		1				
070	211031-6	BALL BEARING 608LLB		1				
071	252014-7	HEX. LOCK NUT M6-10		1				
072	344463-3	SUB FENCE PLATE		1				
073-1	150732-0	SUB FENCE COMPLETE		1				
C10	810857-9	CAUTION LABEL		1				
074-1	911108-4	PAN HEAD SCREW M4X8		1				
075	921461-0	HEX. BOLT M8X40		4				
076	253804-1	FLAT WASHER 6		1				
077-2	317980-6	GUIDE FENCE		1				
078	912357-6	COUNTERSUNK HEAD SCREW M6X35		1				
079	323740-6	ROD 16		1				
080	416358-1	SLEEVE 17		1				
081	416358-1	SLEEVE 17		1				
082	231635-8	TORSION SPRING 34		1				
083	265456-6	HEX. BOLT M10X90		1				
084	941251-5	FLAT WASHER 10		1				
085	331524-8	PIN 16-65		1	*			
085-1	331524-8	PIN 16-65	O	1				
086	213011-8	O RING 7		1				

Item	Parts No.	Description	I/C	QTY	N/O	Opt. 1	Opt. 2	NOTE
087	322988-7	STOPPER PIN		1				
088	922412-6	HEX. SOCKET HEAD BOLT M8X12		1				
089-1	150791-4	ARM COMPLETE		1				
C10	816772-5	BEVEL SCALE LABEL		1				
091	416355-7	INDICATION PLATE		1				
092	253852-0	FLAT WASHER 8		1				
093	252105-4	HEX. LOCK NUT M8-13		1				
094	416360-4	KERF BOARD		1				
095	416360-4	KERF BOARD		1				
096	266026-4	TAPPING SCREW BIND CT 4X12		2				
097	266026-4	TAPPING SCREW BIND CT 4X12		2				
098	416355-7	INDICATION PLATE		1				
099	266026-4	TAPPING SCREW BIND CT 4X12		1				
100	911118-1	PAN HEAD SCREW M4X12		1				
101	416359-9	LOCK LEVER		1				
102	231325-3	COMPRESSION SPRING 6		1				
103	256626-8	PIN 4		1				
104	271308-1	KNOB 40		1				
105	256158-5	PIN 3		1				
106	323741-4	LOCK PIN		1				
107	344538-8	LOCK PLATE		1				
108	961017-7	STOP RING E-3		1				
109	266026-4	TAPPING SCREW BIND CT 4X12		2				
110	286212-1	CAP 20		4				
111	816773-3	MITER SCALE PLATE		1				
112	266026-4	TAPPING SCREW BIND CT 4X12		3				
113	921462-8	HEX. BOLT M8X40		1				
114-1	150790-6	BASE COMPLETE		1				
C10	817283-3	CAUTION LABEL		2				
C20	817837-6	CAUTION LABEL		1				
115	232075-3	LEAF SPRING		1				
116	266026-4	TAPPING SCREW BIND CT 4X12		1				
117	416403-2	SLIDE PLATE		1				
118-1	316943-9	TURN BASE		1				
119	252130-5	HEX. LOCK NUT M10-17		1				
120	265371-4	HEX. BOLT M8X30		2				
121-1	262158-5	RUBBER RING 9		1				
122	941251-5	FLAT WASHER 10		1				
123	265457-4	HEX. BOLT M10		1				
124	416006-2	LEVER 100		1				
125	911118-1	PAN HEAD SCREW M4X12		1				
126	216001-0	STEEL BALL 3.5		1				
127	256226-4	PIN 4		1				
128	251887-5	SCREW M6X10		1				
129	251887-5	SCREW M6X10		2				
A01	762001-3	TRIANGULAR RULE		1				
A02	782212-4	SOCKET WRENCH 13		1				
A03	122523-9	DUST BAG ASS'Y		1	*			

