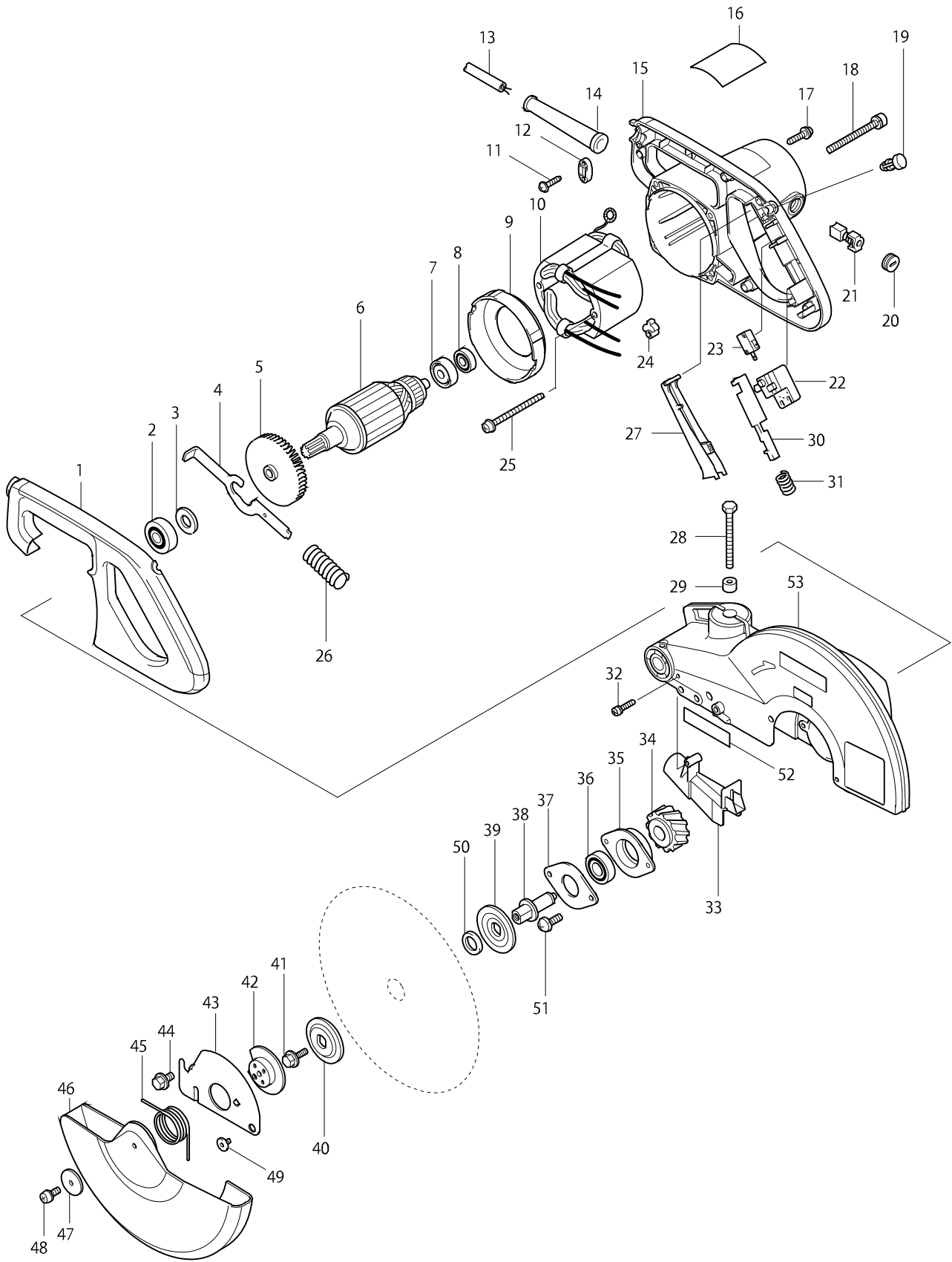
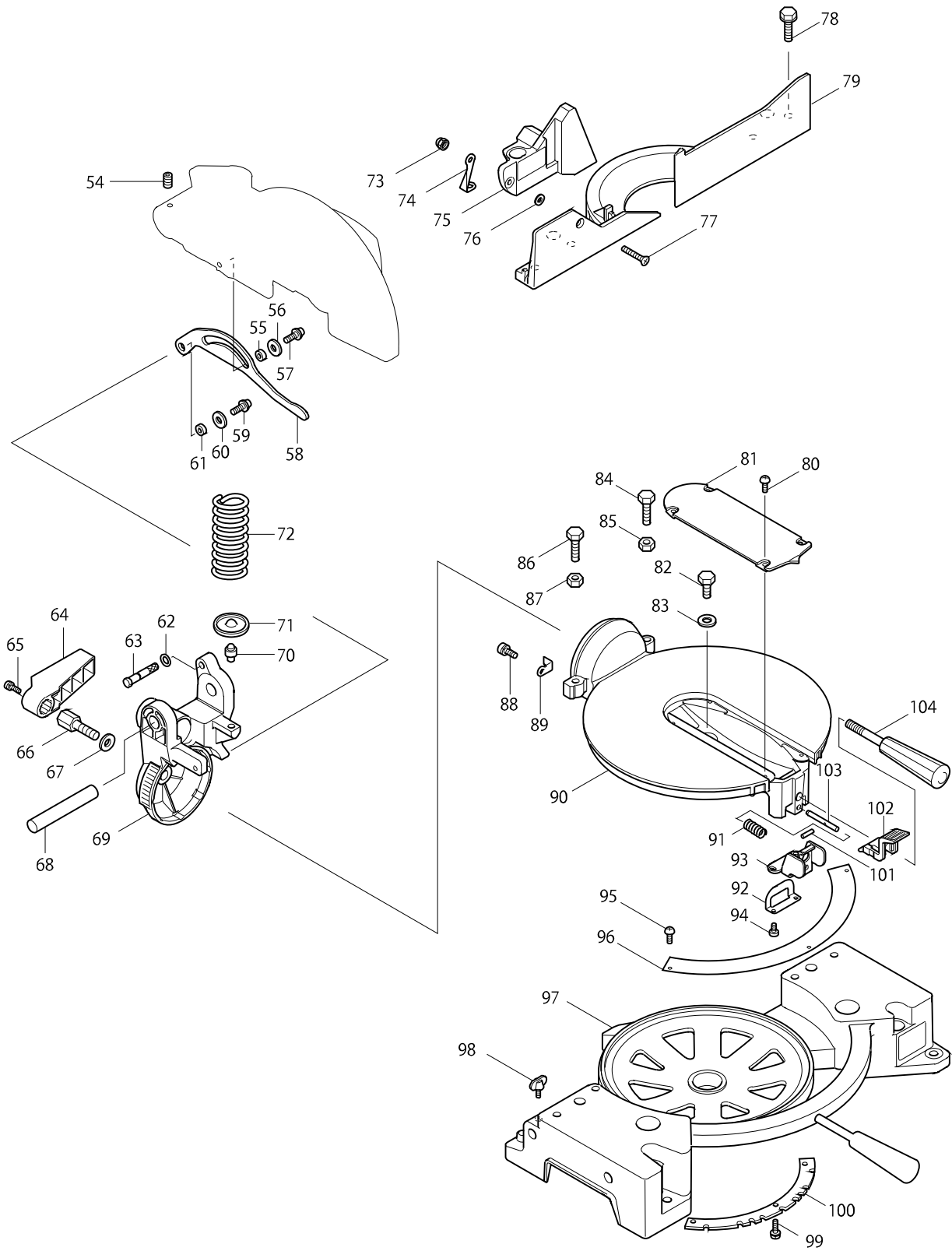


Model No. LS1045 MITER SAW 255MM



Model No. LS1045 MITER SAW 255MM



Model No. LS1045 MITER SAW 255MM

Item	Parts No.	Description	I/C	QTY	N/O	Opt. 1	Opt. 2	NOTE
001	416004-6	HANDLE COVER		1				
002	211206-7	BALL BEARING 6202LLB		1				
003-1	267280-3	FLAT WASHER 15		1				
004	343641-2	SHAFT LOCK		1				
005	241909-9	FAN 80		1				
006	516718-8	ARMATURE ASS'Y 220V		1				
D10		INC. 2,3,5,7,8						
007	681640-9	INSULATION WASHER		1				
008	211061-7	BALL BEARING 6000LLB		1				
009	416442-2	BAFFLE PLATE		1				
010A_	526068-3	FIELD ASS'Y 220-240V		1				
C10	654020-2	RING TERMINAL		1				
C20	654502-4	CONNECTOR P-2		1				
011	265995-6	TAPPING SCREW 4X18		2				
012B1	687052-4	STRAIN RELIEF		1	*			
012B2	687124-5	STRAIN RELIEF	O	1				
013	665865-3	POWER SUPPLY CORD 1.0-2-2.5		1				
014A_	682540-6	CORD GUARD 9.3-90		1				
015-1	153792-1	MOTOR HOUSING COMPLETE		1				
C10	643653-8	BRUSH HOLDER 6.5-13.5		2				
C20	817880-5	CAUTION LABEL		1				
016	859544-5	NAME PLATE LS1045		1				
017	265995-6	TAPPING SCREW 4X18		5				
018	911383-2	PAN HEAD SCREW M6X60		4				
019	411478-6	SWITCH BUTTON		1				
020	643650-4	BRUSH HOLDER CAP 6.5-13.5		2	*			
020-1	643650-4	BRUSH HOLDER CAP 6.5-13.5	O	2				
021A_	181044-0	CARBON BRUSH CB-153		1				
022	651923-1	SWITCH TG70B		1				
023	651941-9	SWITCH V-15-2A5		1				
024	414546-4	CAM		1				
025	266029-8	TAPPING SCREW 5X65		2				
026	231297-2	COMPRESSION SPRING 9		1				
027	415999-0	SWITCH LEVER		1				
028	251667-9	HEX. BOLT M8X75		1				
029	262511-5	RUBBER SLEEVE 6		1				
030	416000-4	LOCK OFF LEVER		1				
031	231457-6	COMPRESSION SPRING 3		1				
032	265995-6	TAPPING SCREW 4X18		1				
033	416007-0	GUIDE COVER		1	*			
033-1	453695-2	GUIDE COVER	<	1				
034	226465-0	HELICAL GEAR 42		1				
035	316821-3	BEARING BOX		1				
036	211256-2	BALL BEARING 6203LLB		1				
037	285685-5	BEARING RETAINER 64		1				
038	322865-3	SPINDLE		1				
039	224333-1	FLANGE 53		1				
040	224333-1	FLANGE 53		1				

Item	Parts No.	Description	I/C	QTY	N/O	Opt. 1	Opt. 2	NOTE
041	265355-2	HEX. FLANGE HEAD BOLT M8X20		1				
042	343639-9	CENTER PLATE		1				
043	344380-7	CENTER COVER		1				
044	265324-3	HEX. FLANGE HEAD BOLT M8X12		1				
045	231593-8	TORSION SPRING 36		1				
046	416003-8	SAFETY COVER		1				
047	267136-0	FLAT WASHER 5		1				
048	911213-7	PAN HEAD SCREW M5X12		1	*			
048-1	922211-6	HEX. SOCKET HEAD BOLT M5X12	<	1				
049	265985-9	HEX.SOCKET HEAD BOLT M6		1				
050A_	257060-5	RING 15.8		1				
051	911223-4	PAN HEAD SCREW M5X16		2				
053-3	188324-5	BLADE CASE SET		1	*			
C10	263005-3	RUBBER PIN 6		1	*			
C20	816847-0	OPERATIONAL INDICATION LABEL		1	*			
C30	817829-5	CAUTION LABEL		1	*			
C40	819214-8	MAKITA LOGO LABEL		1	*			
053-4	140648-7	BLADE CASE COMPLETE	O	1				
C10	816847-0	OPERATIONAL INDICATION LABEL		1				
C20	891309-9	CAUTION LABEL		1				
C30	263005-3	RUBBER PIN 6		1				
054	251961-9	H.S.SET SCREW(FLAT POINT)M6X10		1				
055	257162-7	RING 7		1				
056	253823-7	FLAT WASHER 7		1				
057	265984-1	HEX.SOCKET BUTTON HEAD BOLT M6		1				
058	344377-6	LINK PLATE		1				
059	265984-1	HEX.SOCKET BUTTON HEAD BOLT M6		1				
060	253823-7	FLAT WASHER 7		1				
061	257162-7	RING 7		1				
062	213021-5	O RING 5		1				
063	322317-4	STOPPER PIN		1				
064	416006-2	LEVER 100		1				
065	911113-1	PAN HEAD SCREW M4X10 WITH WR		1				
066	265437-0	HEX. BOLT M10		1				
067	253024-7	FLAT WASHER 10		1				
068	256836-7	ROD 16		1				
069-2	154463-3	ARM COMPLETE		1				
070	256280-8	PIN 8		1				
071	344464-1	SPRING HOLDER		1				
072	233152-4	COMPRESSION SPRING 28		1				
073	252014-7	HEX. LOCK NUT M6-10		1				
074	344476-4	SUB FENCE PLATE		1				
075-1	150662-5	SUB FENCE COMPLETE		1				
C10	810857-9	CAUTION LABEL		1				
076	253715-0	FLAT WASHER 6		1				
077	912342-9	COUNTERSUNK HEAD SCREW M6X25		1				
078-1	265488-3	HEX. BOLT M8X30		4				
079-1	316826-3	GUIDE RULE		1	*			

Item	Parts No.	Description	I/C	QTY	N/O	Opt. 1	Opt. 2	NOTE
079-2	318847-1	GUIDE RULE	<	1				
080	251314-2	+ SCREW M4X12		4				
081	416451-1	KERF BOARD		1				
082	265412-6	HEX. BOLT M8X20		1				
083	253762-1	FLAT WASHER 8		1				
084	921452-1	HEX. BOLT M8X30		1				
085	931402-8	HEX. NUT M8		1				
086	921452-1	HEX. BOLT M8X30		1				
087	931402-8	HEX. NUT M8		1				
088	911113-1	PAN HEAD SCREW M4X10 WITH WR		1				
089	344385-7	POINTER		1				
090-1	310058-4	TURN BASE		1				
091	231402-1	COMPRESSION SPRING 7		1				
092	344602-5	SUPPORT PLATE		1	*			
092-1	344601-7	LOCK PLATE	X	1				
093	344601-7	LOCK PLATE		1	*			
093-1	344602-5	SUPPORT PLATE	X	1				
094	911113-1	PAN HEAD SCREW M4X10 WITH WR		2				
095	251314-2	+ SCREW M4X12		3				
096	816775-9	MITER SCALE PLATE		1				
097-1	150894-4	BASE COMPLETE		1				
C10	817283-3	CAUTION LABEL		1				
C20	817837-6	CAUTION LABEL		1				
098	251887-5	SCREW M6X10		2				
099	911213-7	PAN HEAD SCREW M5X12		3				
100	344603-3	STOPPER PLATE		1				
101	256158-5	PIN 3		1				
102	416450-3	LOCK LEVER		1				
103	323741-4	LOCK PIN		1				
104	273495-2	GRIP 32		1				
A01	762001-3	TRIANGULAR RULE		1				
A02	782212-4	SOCKET WRENCH 13		1				
A03	122523-9	DUST BAG ASS'Y		1	*			
A03-1	122852-0	DUST BAG ASS'Y	O	1				
A04	322602-5	HOLDER		2				
A05	341912-1	NUT HOLDER		1				
A06	911216-1	PAN HEAD SCREW M5X14		1				
A07	342967-9	SET PLATE		1				
A08	341911-3	PROTECTOR		2				
A09	321490-7	RELEASE NUT R		1				
A10	321491-5	RELEASE NUT L		1				
A11-1	122563-7	WISE ASS'Y		1				
C10	151201-4	WISE ARM COMPLETE		1				
D10		INC. A05-A10,A12-A16						
A12	271275-0	KNOB 45		1				
A13	911317-5	PAN HEAD SCREW M6X14		1				
A14	253047-5	FLAT WASHER 6		1				
A15	315891-9	WISE PLATE		1				

