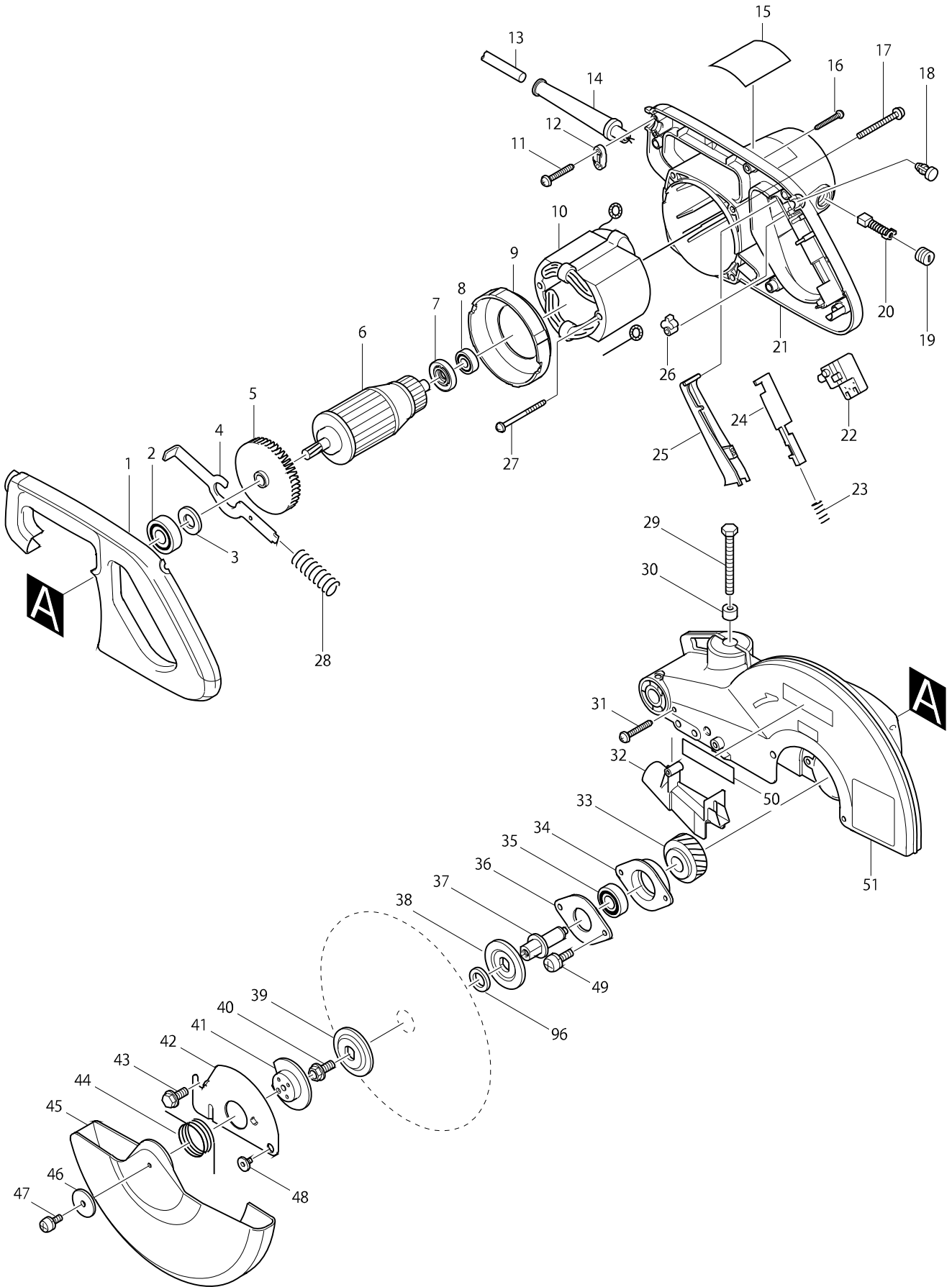


Model No. LS1040 MITER SAW 255MM



Model No. LS1040 MITER SAW 255MM

Item	Parts No.	Description	I/C	QTY	N/O	Opt. 1	Opt. 2	NOTE
001	416004-6	HANDLE COVER		1				
002	211206-7	BALL BEARING 6202LLB		1				
003-1	267280-3	FLAT WASHER 15		1				
004	343641-2	SHAFT LOCK		1				
005	241909-9	FAN 80		1				
006B_	516719-6	ARMATURE ASS'Y 240V		1				
D10		INC. 2,3,5,7,8						
007	681640-9	INSULATION WASHER		1				
008	211061-7	BALL BEARING 6000LLB		1				
009A_	416442-2	BAFFLE PLATE		1				
010B_	526068-3	FIELD ASS'Y 220-240V		1				
C10	654020-2	RING TERMINAL		1				
C20	654502-4	CONNECTOR P-2		1				
011	265995-6	TAPPING SCREW 4X18		2				
012C1	687052-4	STRAIN RELIEF		1	*			
012C2	687124-5	STRAIN RELIEF	O	1				
013	665865-3	POWER SUPPLY CORD 1.0-2-2.5		1				
014B_	682540-6	CORD GUARD 9.3-90		1				
015A2	851559-8	NAME PLATE LS1040		1				
016	265995-6	TAPPING SCREW 4X18		5				
017	911383-2	PAN HEAD SCREW M6X60		4				
018	411478-6	SWITCH BUTTON		1				
019	643650-4	BRUSH HOLDER CAP 6.5-13.5		2	*			
019-1	643650-4	BRUSH HOLDER CAP 6.5-13.5	O	2				
020A_	181044-0	CARBON BRUSH CB-153		1				
021B1	153792-1	MOTOR HOUSING COMPLETE		1				
C10	817880-5	CAUTION LABEL		1				
C20	643653-8	BRUSH HOLDER 6.5-13.5		2				
022	651923-1	SWITCH TG70B		1				
023	231457-6	COMPRESSION SPRING 3		1				
024	416000-4	LOCK OFF LEVER		1				
025	415999-0	SWITCH LEVER		1				
026	414546-4	CAM		1				
027	266029-8	TAPPING SCREW 5X65		2				
028	231297-2	COMPRESSION SPRING 9		1				
029	251667-9	HEX. BOLT M8X75		1				
030	262511-5	RUBBER SLEEVE 6		1				
031	265995-6	TAPPING SCREW 4X18		1				
032	416007-0	GUIDE COVER		1	*			
032-1	453695-2	GUIDE COVER	<	1				
033	226465-0	HELICAL GEAR 42		1				
034	316821-3	BEARING BOX		1				
035	211256-2	BALL BEARING 6203LLB		1				
036	285685-5	BEARING RETAINER 64		1				
037	322865-3	SPINDLE		1				
038	224333-1	FLANGE 53		1				
039	224333-1	FLANGE 53		1				
040	265355-2	HEX. FLANGE HEAD BOLT M8X20		1				

Item	Parts No.	Description	I/C	QTY	N/O	Opt. 1	Opt. 2	NOTE
041	343639-9	CENTER PLATE		1				
042	344380-7	CENTER COVER		1				
043	265324-3	HEX. FLANGE HEAD BOLT M8X12		1				
044	231593-8	TORSION SPRING 36		1				
045	416003-8	SAFETY COVER		1				
046	267136-0	FLAT WASHER 5		1				
047	911213-7	PAN HEAD SCREW M5X12		1	*			
047-1	922211-6	HEX. SOCKET HEAD BOLT M5X12	<	1				
048	265985-9	HEX.SOCKET HEAD BOLT M6		1				
049	911223-4	PAN HEAD SCREW M5X16		2				
051-2	188324-5	BLADE CASE SET		1	*			
C10	817667-5	CAUTION LABEL		1	*			
C20	817829-5	CAUTION LABEL		1	*			
C30	263005-3	RUBBER PIN 6		1	*			
C40	819214-8	MAKITA LOGO LABEL		1	*			
051-3	188324-5	BLADE CASE SET	O	1	*			
C10	816847-0	OPERATIONAL INDICATION LABEL	<	1	*			
C20	817829-5	CAUTION LABEL		1	*			
C30	263005-3	RUBBER PIN 6		1	*			
C40	819214-8	MAKITA LOGO LABEL		1	*			
051-4	140648-7	BLADE CASE COMPLETE	O	1				
C10	816847-0	OPERATIONAL INDICATION LABEL		1				
C20	891309-9	CAUTION LABEL		1				
C30	263005-3	RUBBER PIN 6		1				
052-1	265488-3	HEX. BOLT M8X30		4				
053-1	316826-3	GUIDE RULE		1	*			
053-2	318847-1	GUIDE RULE	<	1				
054	912342-9	COUNTERSUNK HEAD SCREW M6X25		1				
055	253715-0	FLAT WASHER 6		1				
056-1	150662-5	SUB FENCE COMPLETE		1				
C10	810857-9	CAUTION LABEL		1				
057	344476-4	SUB FENCE PLATE		1				
058	252014-7	HEX. LOCK NUT M6-10		1				
059	251961-9	H.S.SET SCREW(FLAT POINT)M6X10		1				
060	257162-7	RING 7		1				
061	253823-7	FLAT WASHER 7		1				
062	265984-1	HEX.SOCKET BUTTON HEAD BOLT M6		1				
063	344377-6	LINK PLATE		1				
064	265984-1	HEX.SOCKET BUTTON HEAD BOLT M6		1				
065	253823-7	FLAT WASHER 7		1				
066	257162-7	RING 7		1				
067	416006-2	LEVER 100		1				
068	911113-1	PAN HEAD SCREW M4X10 WITH WR		1				
069	265437-0	HEX. BOLT M10		1				
070	253024-7	FLAT WASHER 10		1				
071	256836-7	ROD 16		1				
072-2	154463-3	ARM COMPLETE		1				
C10	816310-3	SCALE LABEL		1				

Item	Parts No.	Description	I/C	QTY	N/O	Opt. 1	Opt. 2	NOTE
073	322317-4	STOPPER PIN		1				
074	213021-5	O RING 5		1				
075	233152-4	COMPRESSION SPRING 28		1				
076-1	344464-1	SPRING HOLDER		1				
077A1	256280-8	PIN 8		1				
079	911113-1	PAN HEAD SCREW M4X10 WITH WR		1				
080	344385-7	POINTER		1				
081	343799-7	SLIDE PLATE		3				
082	921452-1	HEX. BOLT M8X30		1				
083	911213-7	PAN HEAD SCREW M5X12		2				
084	273495-2	GRIP 32		1				
085	344381-5	KNOCK SPRING		1				
086-1	150585-7	BASE COMPLETE		1				
C10	816311-1	MITER SCALE PLATE		1				
C20	817837-6	CAUTION LABEL		1				
C30	817283-3	CAUTION LABEL		2				
087-1	316824-7	TURN BASE		1				
088	416001-2	KERF BOARD		1				
089	416001-2	KERF BOARD		1				
090	921452-1	HEX. BOLT M8X30		1				
091	931402-8	HEX. NUT M8		1				
092	252105-4	HEX. LOCK NUT M8-13		1				
093-1	253762-1	FLAT WASHER 8		1				
094	931402-8	HEX. NUT M8		1				
095	921452-1	HEX. BOLT M8X30		1				
096	257060-5	RING 15.8		1				
097	251887-5	SCREW M6X10		1				
098	265708-5	SCREW M6X20		2				
A01	411478-6	SWITCH BUTTON		2				
A02	762001-3	TRIANGULAR RULE		1				
A03	782212-4	SOCKET WRENCH 13		1				
A04	122523-9	DUST BAG ASS'Y		1	*			
C10	410602-8	FASTENER		1	*			
A04-1	122852-0	DUST BAG ASS'Y	O	1				
C10	410602-8	FASTENER		1				
A05-1	193471-9	SUB PLATE ASS'Y		1				
C10	252148-6	SQUARE NUT M8		1				
C20	921431-9	HEX. BOLT M8X20		1				
A06	122536-0	WISE ASS'Y		1				
C10	251370-2	+ PAN HEAD SCREW M5		1				
C20	251887-5	SCREW M6X10		1				
C30	253804-1	FLAT WASHER 6		1				
C40	271286-5	KNOB 40		1				
C50	316938-2	WISE ARM		1				
C60	322313-2	WISE ROD		1				
C70	343651-9	WISE PLATE		1				
A07	257022-3	RING 16		1				
A08	322312-4	HOLDER		2				

