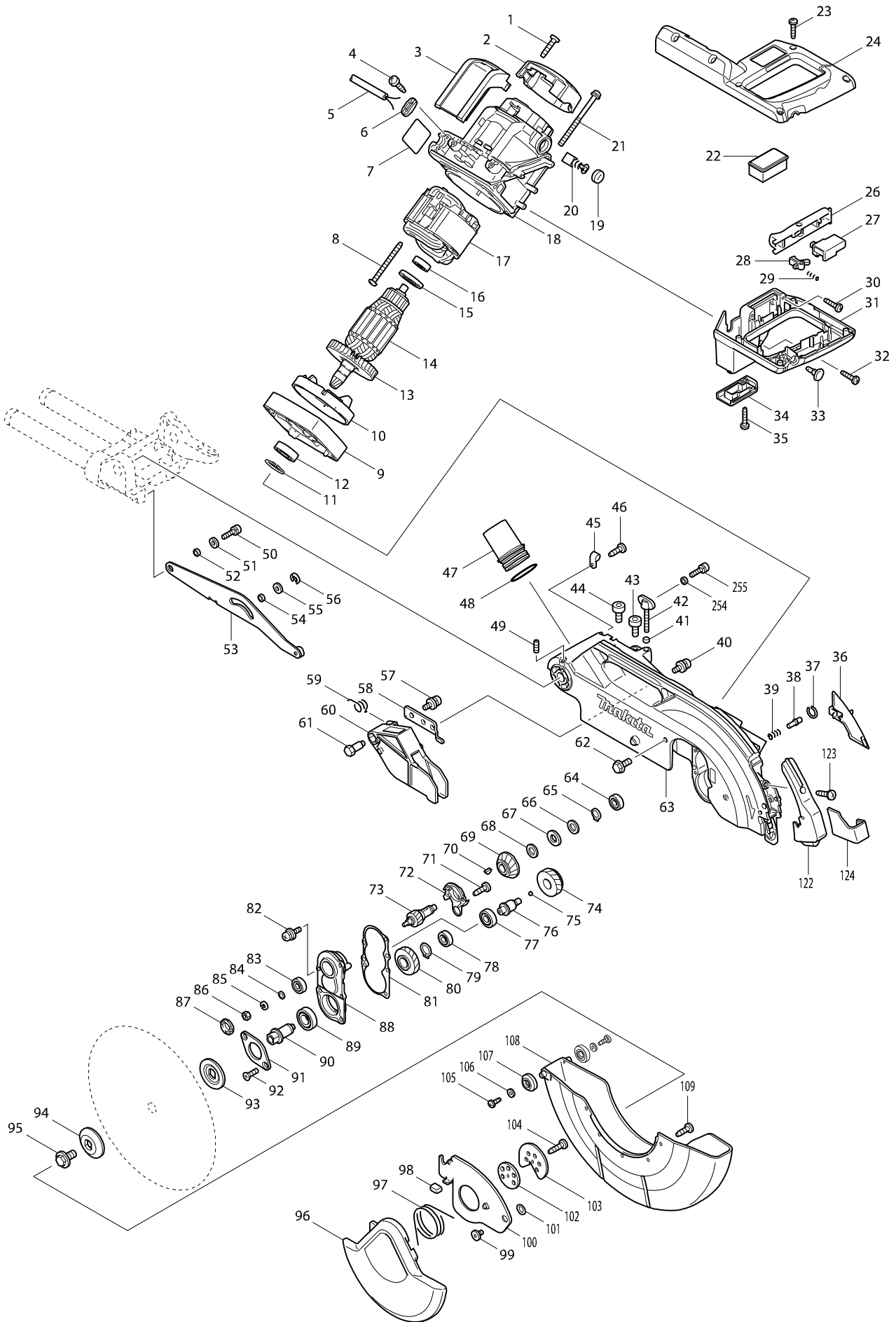
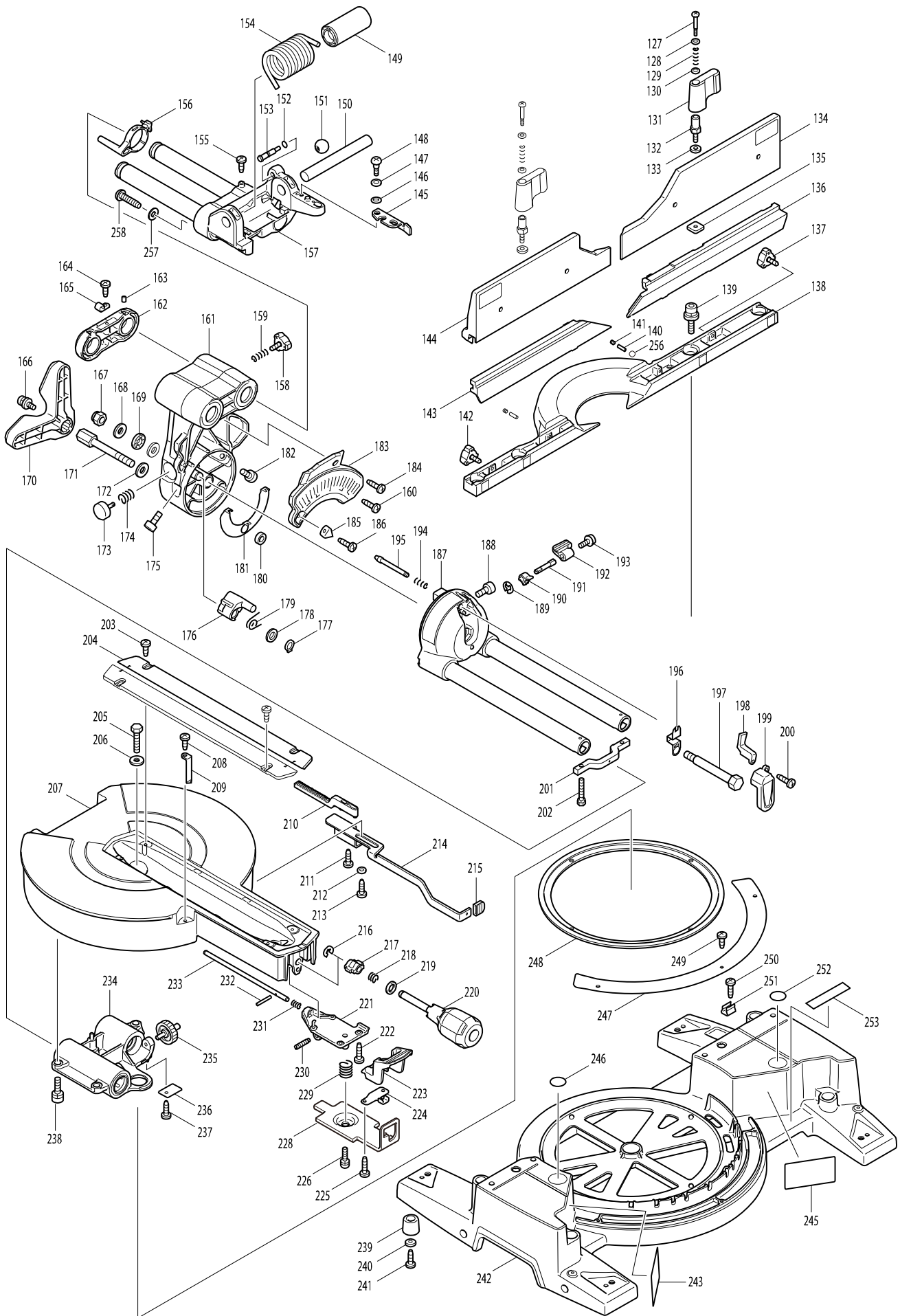


# Model No. LS1016 SLIDE COMPOUND SAW 255MM/260MM



# Model No. LS1016 SLIDE COMPOUND SAW 255MM/260MM



Item	Parts No.	Description	I/C	QTY	N/O	Opt. 1	Opt. 2	NOTE
001	265995-6	TAPPING SCREW 4X18		2				
002	450999-3	REAR COVER		1				
003	631865-5	CONTROLLER		1				
004	265995-6	TAPPING SCREW 4X18		2				
005	665865-3	POWER SUPPLY CORD 1.0-2-2.5		1				
006	687124-5	STRAIN RELIEF		1				
007	866468-8	LS1016 NAME PLATE		1				
008	266418-7	TAPPING SCREW 5X55		2				
009	318399-2	MOTOR BRACKET		1				
010	451001-5	BAFFLE PLATE		1				
011	961057-5	RETAINING RING S-17		1				
012	211275-8	BALL BEARING 6003DDW		1	*			
012-1	210301-0	BALL BEARING 6003DDW	O	1				
013	240001-8	FAN 80		1				
014	517824-2	ARMATURE ASS'Y 240V		1				
D10		INC. 13,15,16						
015	681642-5	INSULATION WASHER		1				
016	210067-2	BALL BEARING 6000ZZ		1				
017	599531-9	FIELD ASS'Y 240V		1				
C10	654020-2	RING TERMINAL		2				
C20	654502-4	CONNECTOR P-2		2				
018	140083-9	MOTOR HOUSING COMPLETE		1				
C10	643653-8	BRUSH HOLDER 6.5-13.5		2				
019	643650-4	BRUSH HOLDER CAP 6.5-13.5		2				
020	181044-0	CARBON BRUSH CB-153		1				
021	911948-0	PAN HEAD SCREW M6X80 WITH WR		4				
022	451015-4	COVER		1				
023	265995-6	TAPPING SCREW 4X18		6				
024	450998-5	HANDLE COVER		1				
026	451003-1	SWITCH LEVER		1				
027	650618-3	SWITCH TG72B-1		1				
028	416356-5	LOCK-OFF LEVER		1				
029	231026-3	COMPRESSION SPRING 4		1				
030	265995-6	TAPPING SCREW 4X18		2				
031	140049-9	HANDLE COMPLETE		1				
C10	810486-8	CAUTION LABEL		1				
032	265995-6	TAPPING SCREW 4X18		2				
033	451037-4	SWITCH BUTTON		1				
034	451017-0	COVER HOLDER		1				
035	265995-6	TAPPING SCREW 4X18		1				
036	451004-9	LEAD COVER		1				
037	231928-3	RING SPRING 8		1				
038	256633-1	PIN 6		1				
039	231240-1	COMPRESSION SPRING 7		1				
040	911113-1	PAN HEAD SCREW M4X10		2				
041	262001-8	URETHANE RING 5		1				
042	265717-4	SCREW M6X43		1				
043	266488-6	HEX SOCKET HEAD BOLT M8X20		1				

Item	Parts No.	Description	I/C	QTY	N/O	Opt. 1	Opt. 2	NOTE
044	922331-6	HEX. SOCKET HEAD BOLT M6X20		1	*			
044-1	922332-4	HEX. SOCKET HEAD BOLT M6X20	S	1				
045	687042-7	STRAIN RELIEF		1				
046	266026-4	TAPPING SCREW BIND CT 4X12		1				
047	419277-0	DUST NOZZLE		1				
048	213460-9	O RING 35		1				
049	266321-2	H.S.SET SCREW(FLAT POINT)M6X16		1				
050	922331-6	HEX. SOCKET HEAD BOLT M6X20		1				
051	253804-1	FLAT WASHER 6		1				
052	257163-5	RING 6		1				
053	158960-1	LINK PLATE COMPLETE		1				
054	257163-5	RING 6		1				
055	253804-1	FLAT WASHER 6		1				
056	961018-5	STOP RING E-5		1				
057	911113-1	PAN HEAD SCREW M4X10		1				
058	346050-4	GUARD HOLDER		1				
059	231675-6	TORSION SPRING 11		1				
060	451006-5	GUARD		1	*			
060-1	453634-2	GUARD	<	1				
061	325645-6	GUARD SHAFT		1				
062	265324-3	HEX. FLANGE HEAD BOLT M8X12		1				
063	140055-4	BLADE CASE COMPLETE		1	*			
C10	263005-3	RUBBER PIN 6		3	*			
063-1	140055-4	BLADE CASE COMPLETE	O	1				
C10	263005-3	RUBBER PIN 6		3				
064	210005-4	BALL BEARING 608DDW		1				
065	961052-5	RETAINING RING S-12		1				
066	253744-3	FLAT WASHER 12		1				
067	261104-5	RUBBER WASHER 12		1				
068	253744-3	FLAT WASHER 12		1				
069	227550-2	SPIRAL BEVEL GEAR 32		1				
070	254001-2	WOODRUFF KEY 4		1				
071	266026-4	TAPPING SCREW BIND CT 4X12		2				
072	451002-3	GREASE HOLDER		1				
073	227701-7	HELICAL GEAR 14		1				
074	227702-5	HERICAL GEAR 27		1				
075	216024-8	STEEL BALL 4		1				
076	325643-0	GEAR SHAFT		1				
077	210067-2	BALL BEARING 6000ZZ		1				
078	210005-4	BALL BEARING 608DDW		1				
079	961055-9	RETAINING RING S-15		1				
080	227703-3	HERICAL GEAR 28		1				
081	442147-8	GASKET		1				
082	911223-4	PAN HEAD SCREW M5X16		3				
083	210005-4	BALL BEARING 608DDW		1				
084	267010-2	FLAT WASHER 5		1				
085	942101-7	SPRING WASHER 5		1				
086	931202-6	HEX. NUT M5		1				

Item	Parts No.	Description	I/C	QTY	N/O	Opt. 1	Opt. 2	NOTE
087	285847-5	BEARING RETAINER 14-23		1				
088	158957-0	BEARING BOX COMPLETE		1				
C10	263002-9	RUBBER PIN 4		1				
089	211236-8	BALL BEARING 6002DDW		1				
090	325644-8	SPINDLE		1				
091	285732-2	BEARING RETAINER 51		1				
092	265034-2	+ COUNTERSUNK HEAD SCREW M5X		2				
093	224428-0	INNER FLANGE 46		1	*			
093-1	224428-0	INNER FLANGE 46	<	1				
094	224429-8	OUTER FLANGE 46		1				
095	265405-3	HEX. FRANGE HEAD BOLT M10X20		1				
096	158959-6	SAFETY COVER A COMPLETE		1				
097	231634-0	TORSION SPRING 45		1				
098	424190-9	CUSHION		1				
099	265985-9	HEX.SOCKET HEAD BOLT M6		1				
100	346048-1	CENTER COVER		1				
101	253932-2	WAVE WASHER 10		1				
102	344539-6	CENTER WASHER		1				
103	346047-3	CENTER PLATE		1				
104	266034-5	TAPPING SCREW CT 4X16		1				
105	266020-6	TAPPING SCREW 4X12		2				
106	941051-3	FLAT WASHER 4		2				
107	424193-3	ROLLER		2				
108	451005-7	SAFETY COVER B		1	*			
108-1	451754-6	SAFETY COVER B	<	1				
109	266026-4	TAPPING SCREW BIND CT 4X12		3				
122	451016-2	BLADE CASE COVER		1				
123	266034-5	TAPPING SCREW CT 4X16		1				
124	451038-2	PROTECTOR		1				
127	265026-1	+ PAN HEAD SCREW M4		2				
128	941102-2	FLAT WASHER 5		2				
129	233267-7	COMPRESSION SPRING 7		2				
130	941102-2	FLAT WASHER 5		2				
131	272261-4	LEVER 45		2				
132	325651-1	JOINT		2				
133	253804-1	FLAT WASHER 6		2				
134	140070-8	UPPER FENCE R COMPLETE		1	*			
C10	810503-4	CAUTION LABEL		1	*			
134-1	142813-4	UPPER FENCE R COMPLETE	<	1				
C10	810503-4	CAUTION LABEL		1				
135	346058-8	GUIDE PLATE		2				
136	318415-0	LOWER FENCE R		1	*			
136-1	318596-0	LOWER FENCE R	<	1	*			
136-2	318596-0	LOWER FENCE R	<	1				
137	265783-1	THUMB SCREW M6X18		1				
138	318411-8	GUIDE FENCE		1	*			
138-1	318411-8	GUIDE FENCE	O	1	*			
138-2	318411-8	GUIDE FENCE	<	1				

Item	Parts No.	Description	I/C	QTY	N/O	Opt. 1	Opt. 2	NOTE
139	922443-5	H.S.H.BOLT M8X25 WITH WR		4				
140	256226-4	PIN 4		2				
141	266264-8	H.S.SET SCREW(FLAT POINT)M5X6		2				
142	265783-1	THUMB SCREW M6X18		1				
143	318413-4	LOWER FENCE L		1	*			
143-1	318595-2	LOWER FENCE L	<	1	*			
143-2	318595-2	LOWER FENCE L	<	1				
144	140069-3	UPPER FENCE L COMPLETE		1	*			
C10	810503-4	CAUTION LABEL		1	*			
144-1	142812-6	UPPER FENCE L COMPLETE	<	1				
C10	810503-4	CAUTION LABEL		1				
145	346049-9	STOPPER ARM		1				
146	253948-7	WAVE WASHER 8		1				
147	253835-0	FLAT WASHER 8		1				
148	251267-5	+ PAN HEAD SCREW M6		1				
149	451036-6	SLEEVE 17		1				
150	323740-6	ROD 16		1				
151	271601-3	KNOB 20		1				
152	213021-5	O RING 5		1				
153	324183-5	STOPPER PIN		1				
154	233537-4	TORSION SPRING 35		1				
155	266026-4	TAPPING SCREW BIND CT 4X12		1				
156	158962-7	STOPPER LEVER COMPETE		1				
C10	263002-9	RUBBER PIN 4		1				
157	158961-9	FRONT ARM COMPLETE		1	*			
157-1	158961-9	FRONT ARM COMPLETE	O	1				
158	265783-1	THUMB SCREW M6X18		1				
159	231240-1	COMPRESSION SPRING 7		1				
160	266034-5	TAPPING SCREW CT 4X16		1				
161	158963-5	ARM COMPLETE		1				
C10	262077-5	FELT RING 25		4				
C20	263005-3	RUBBER PIN 6		1				
C30	344638-4	CAP 35		3				
162	318403-7	HOLDER		1	*			
162-1	318403-7	HOLDER	O	1				
163	266208-8	H.S.SET SCREW(CUP POINT)M6X8		2				
164	266026-4	TAPPING SCREW BIND CT 4X12		1				
165	687042-7	STRAIN RELIEF		1				
166	911113-1	PAN HEAD SCREW M4X10		1				
167	252130-5	HEX. LOCK NUT M10-17		1				
168	253024-7	FLAT WASHER 10		2				
169	216413-7	THRUST NEEDLE CAGE 1024		1				
170	451019-6	LEVER 105		1				
171	265589-7	HEX BOLT M10		1				
172	253024-7	FLAT WASHER 10		1				
173	415208-7	RELEASE BUTTON		1				
174	233031-6	COMPRESSION SPRING 12		1				
175	266488-6	HEX SOCKET HEAD BOLT M8X20		1				

Item	Parts No.	Description	I/C	QTY	N/O	Opt. 1	Opt. 2	NOTE
176	318405-3	STOPPER		1				
177	961052-5	RETAINING RING S-12		1				
178	253744-3	FLAT WASHER 12		1				
179	231646-3	TORSION SPRING 14		1				
180	262051-3	RUBBER RING 9		1	*			
180-1	262158-5	RUBBER RING 9	<	1				
181	346071-6	PLATE		1				
182	266488-6	HEX SOCKET HEAD BOLT M8X20		1				
183	451008-1	ARM COVER		1				
184	266034-5	TAPPING SCREW CT 4X16		1				
185	343678-9	POINTER		1				
186	266034-5	TAPPING SCREW CT 4X16		1				
187	158964-3	ARM HOLDER COMPLETE		1				
C10	263005-3	RUBBER PIN 6		1				
C20	816927-2	BEVEL SCALE LABEL		1				
C30	816937-9	INDICATION LABEL		1				
188	266488-6	HEX SOCKET HEAD BOLT M8X20		1				
189	961011-9	STOP RING E-4		1				
190	451044-7	CAM		1				
191	325656-1	ROD 6		1				
192	272262-2	LEVER 22		1				
193	911113-1	PAN HEAD SCREW M4X10		1				
194	234122-6	COMPRESSION SPRING 6		1				
195	325655-3	LOCK PIN 8		1	*			
195-1	325865-2	LOCK PIN 8	<	1				
196	232250-1	LEAF SPRING		1				
197	325646-4	CENTER SHAFT		1				
198	451039-0	POSITION PLATE		1				
199	451070-6	ARM HOLDER COVER		1				
200	266034-5	TAPPING SCREW CT 4X16		1				
201	158967-7	SQUARE ROD COMPLETE		1				
C10	263005-3	RUBBER PIN 6		1				
202	925251-3	HEX.BOLT M5X30		2				
203	266026-4	TAPPING SCREW BIND CT 4X12		4				
204	451013-8	KURF BOARD		2				
205	265585-5	HEX BOLT M8X45		1				
206	253762-1	FLAT WASHER 8		1				
207	140142-9	TURN BASE COMPLETE		1				
C10	816930-3	INDICATION LABEL		1				
208	266026-4	TAPPING SCREW BIND CT 4X12		1				
209	451009-9	INDICATION PLATE		1				
210	451011-2	RACK BLOCK		1				
211	266385-6	TAPPING SCREW 4X14		1				
212	941051-3	FLAT WASHER 4		1				
213	266026-4	TAPPING SCREW BIND CT 4X12		1				
214	346052-0	SLIDE LOCK PLATE		1				
215	286275-7	CAP		1				
216	961013-5	STOP RING E-7		1				

Item	Parts No.	Description	I/C	QTY	N/O	Opt. 1	Opt. 2	NOTE
217	313165-2	CAM		1				
218	231131-6	COMPRESSION SPRING 11		1				
219	267047-9	FLAT WASHER 10		1				
220	273666-1	GRIP 50		1	*			
220-1	273666-1	GRIP 50	O	1				
221	318410-0	PIN HOLDER		1				
222	266034-5	TAPPING SCREW CT 4X16		4				
223	451010-4	LOCK LEVER		1				
224	345272-3	LOCK LEVER PLATE		1				
225	266034-5	TAPPING SCREW CT 4X16		2				
226	266505-2	H.S. BINDING HEAD SCREW M6X14		1				
228	346051-2	MITER LOCK PLATE		1				
229	234104-8	COMPRESSION SPRING 13		1				
230	266306-8	SHOULDER SCREW M5		1				
231	231325-3	COMPRESSION SPRING 6		1				
232	256158-5	PIN 3		1				
233	325649-8	LOCK PIN 6		1				
234	158968-5	LINEAR BEARING BOX COMPLETE		1				
235	451018-8	SPUR GEAR 43		1				
236	232249-6	LEAF SPRING		1				
237	266026-4	TAPPING SCREW BIND CT 4X12		1				
238	922441-9	HEX. SOCKET HEAD BOLT M8X25		3				
239	421845-7	FOOT		4				
240	267195-4	FLAT WASHER 4		4				
241	266026-4	TAPPING SCREW BIND CT 4X12		4				
242	140054-6	BASE COMPLETE		1	*			
D10		INC. 243,246,252			*			
242-1	140054-6	BASE COMPLETE	<	1				
D10		INC. 243,246,252						
243	810495-7	CAUTION LABEL		1				
246	817283-3	CAUTION LABEL		1				
247	816920-6	MITER SCALE PLATE		1				
248	451012-0	SLIDE PLATE		1				
249	266026-4	TAPPING SCREW BIND CT 4X12		3				
250	266034-5	TAPPING SCREW CT 4X16		1				
251	232075-3	LEAF SPRING		1				
252	817283-3	CAUTION LABEL		1				
254	257785-1	SLEEVE 6		1				
255	922226-3	HEX. SOCKET HEAD BOLT M5X18		1				
256	216024-8	STEEL BALL 4		2				
257	253874-0	FLAT WASHER 4		1				
258	266042-6	TAPPING SCREW BIND CT 4X20		1				
271	942151-2	SPRING WASHER 6		1				
272	253313-0	THIN WASHER 14		1				
A01	122852-0	DUST BAG ASS'Y		1				
C10	410602-8	FASTENER		1				
A02	122854-6	WISE ASS'Y		1				
C11	140037-6	WISE ARM A COMPLETE		1				



**Model No. LS1016 SLIDE COMPOUND SAW 255MM/260MM**

Item	Parts No.	Description	I/C	QTY	N/O	Opt. 1	Opt. 2	NOTE
C16	140038-4	WISE ARM B COMPLETE		1				
C21	168522-7	SET PLATE		1				
C26	251370-2	+ PAN HEAD SCREW M5		1				
C31	251887-5	SCREW M6X10		1				
C36	253744-3	FLAT WASHER 12		1				
C41	253804-1	FLAT WASHER 6		1				
C46	266026-4	TAPPING SCREW BIND CT 4X12		1				
C51	271328-5	KNOB 40		1				
C56	313163-6	RELEASE NUT R		1				
C61	313164-4	RELEASE NUT L		1				
C66	343651-9	WISE PLATE		1				
C71	346053-8	NUT HOLDER		1				
C76	346054-6	PROTECTOR		2				
C81	961052-5	RETAINING RING S-12		1				
A03	762001-3	TRIANGULAR RULE		1				
A04	251889-1	SCREW M5X16		2	*			
A04-1	265786-5	SCREW M5X16	O	2				
A05	325673-1	HOLDER 200		2				
A06	782232-8	BOX WRENCH 13		1				
E01	257060-5	RING 15.8		1				
E02	651941-9	SWITCH V-15-2A5		1				