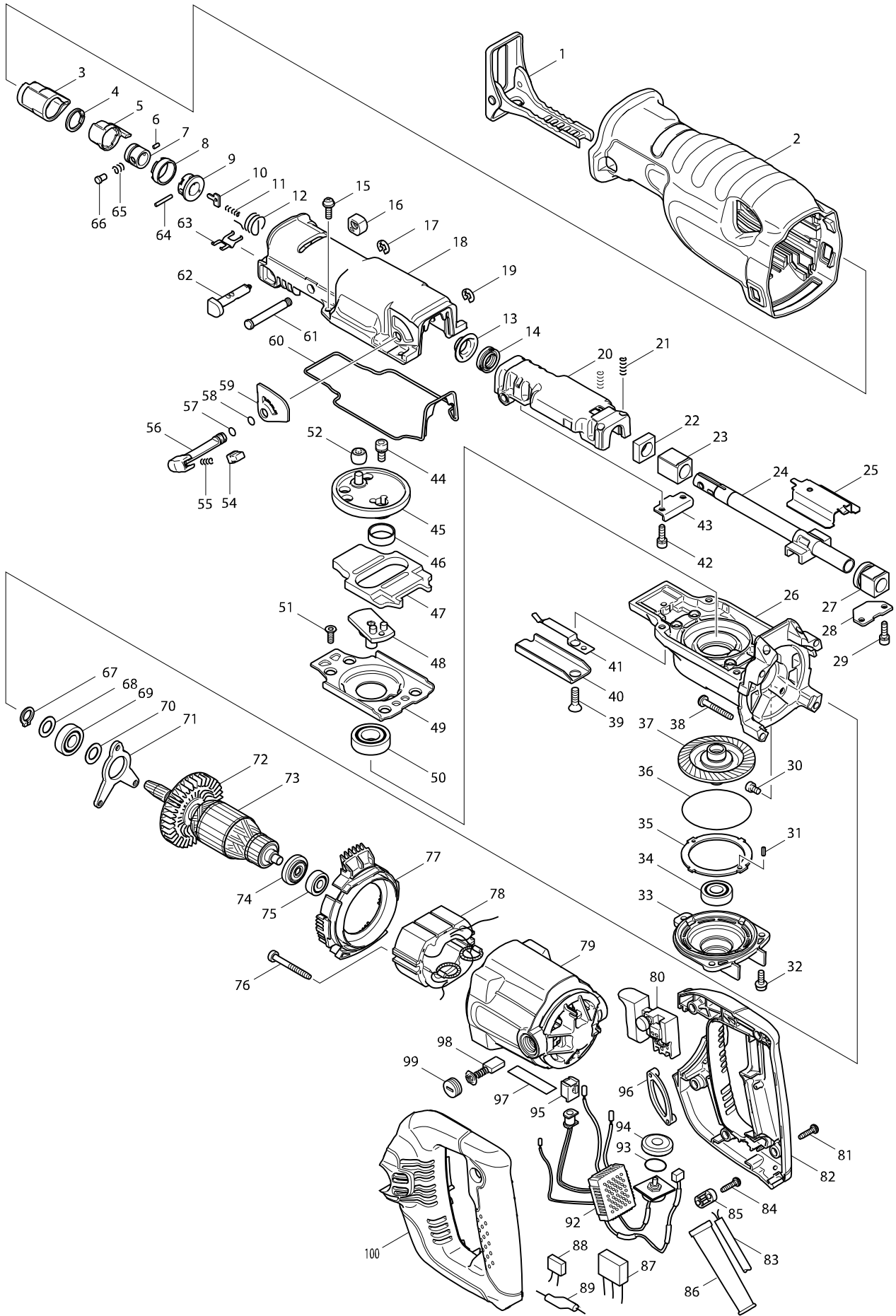


Model No. JR3070CT RECIPRO SAW



Model No. JR3070CT RECIPRO SAW

| Item | Parts No. | Description | I/C | QTY | N/O | Opt. 1 | Opt. 2 | NOTE |
|-------|-----------|------------------------------|-----|-----|-----|--------|--------|------|
| 001-1 | 163453-5 | SHOE | | 1 | | | | |
| 002 | 421904-7 | INSULATION COVER | | 1 | | | | |
| 003-1 | 424147-0 | PROTECTOR | | 1 | | | | |
| 004 | 257952-8 | RETAINING RING (EXT) 18 | | 1 | | | | |
| 005-2 | 310285-3 | DRIVING SLEEVE | | 1 | | | | |
| 006 | 268094-3 | PIN 3 | | 1 | | | | |
| 007 | 331720-8 | GUIDE SLEEVE | | 1 | | | | |
| 008 | 417791-0 | DRIVING SLEEVE GUIDE | | 1 | | | | |
| 009 | 418311-3 | SLEEVE | | 1 | | | | |
| 010 | 345214-7 | PUSH PLATE | | 1 | | | | |
| 011 | 233025-1 | COMPRESSION SPRING 2 | | 1 | | | | |
| 012 | 231687-9 | TORSION SPRING 17 | | 1 | | | | |
| 013 | 257742-9 | SHOULDER SLEEVE 14 | | 1 | | | | |
| 014 | 213174-0 | X RING 14 | | 1 | | | | |
| 015 | 911225-0 | PAN HEAD SCREW M5X16 | | 4 | | | | |
| 016 | 418806-6 | CAP | | 1 | | | | |
| 017 | 961012-7 | STOP RING E-6 | | 1 | | | | |
| 018 | 154551-6 | GEAR HOUSING COVER COMPLETE | | 1 | | | | |
| 019 | 961012-7 | STOP RING E-6 | | 1 | | | | |
| 020 | 154502-9 | SLIDER SUPPORT COMPLETE | | 1 | | | | |
| 021 | 233038-2 | COMPRESSION SPRING 5 | | 2 | | | | |
| 022 | 423343-7 | SEAL PLATE 14 | | 1 | | | | |
| 023 | 214170-1 | PLANE BEARING 14A | | 1 | | | | |
| 024-1 | 154804-3 | SLIDER COMPLETE | | 1 | * | | | |
| 024-2 | 168410-8 | SLIDER | O | 1 | | | | |
| 025 | 345487-2 | SLIDE PLATE | | 1 | | | | |
| 026 | 317842-8 | GEAR HOUSING | | 1 | | | | |
| 027-1 | 154547-7 | BEARING COMPLETE | | 1 | | | | |
| 028 | 345486-4 | PLATE B | | 1 | | | | |
| 029-1 | 911225-0 | PAN HEAD SCREW M5X16 | | 2 | | | | |
| 030 | 265530-0 | HEX.SOCKET HEAD BOLT M5X8 | | 3 | | | | |
| 032 | 911225-0 | PAN HEAD SCREW M5X16 | | 3 | | | | |
| 033 | 317844-4 | BEARING BOX | | 1 | | | | |
| 034 | 211101-1 | BALL BEARING 6001LLB | | 1 | | | | |
| 036 | 213726-7 | O RING 62 | | 1 | | | | |
| 037 | 154549-3 | TORQUE LIMITER COMPLETE | | 1 | | | | |
| 038-1 | 266373-3 | TAPPING SCREW 5X35 | | 4 | | | | |
| 039-1 | 265165-7 | TORXSOCKET C.S.HEADSCREW M6X | | 1 | | | | |
| 040 | 345479-1 | SHOE GUIDE | | 1 | | | | |
| 041 | 232222-6 | LEAF SPRING B | | 1 | | | | |
| 042-1 | 911225-0 | PAN HEAD SCREW M5X16 | | 2 | | | | |
| 043 | 345485-6 | PLATE A | | 1 | | | | |
| 044 | 265531-8 | HEX.SOCKET HEAD BOLT M6X14 | | 1 | | | | |
| 045-1 | 154545-1 | CRANK CAM COMPLETE | | 1 | | | | |
| 046 | 257265-7 | RING 21 | | 1 | | | | |
| 047 | 313121-2 | COUNTER WEIGHT | | 1 | | | | |
| 048 | 154546-9 | CRANK BASE COMPLETE | | 1 | | | | |
| 049 | 345489-8 | GUIDE PLATE | | 1 | | | | |

Model No. JR3070CT RECIPRO SAW

| Item | Parts No. | Description | I/C | QTY | N/O | Opt. 1 | Opt. 2 | NOTE |
|-------|-----------|------------------------------|-----|-----|-----|--------|--------|------|
| 050 | 211251-2 | BALL BEARING 6003LLB | | 1 | | | | |
| 051 | 265148-7 | TORX SOCKET HEAD SCREW M5X14 | | 4 | | | | |
| 052 | 212957-5 | NEEDLE BEARING 710 | | 1 | | | | |
| 054 | 418991-5 | STOPPER | | 1 | | | | |
| 055 | 231309-1 | COMPRESSION SPRING 5 | | 1 | | | | |
| 056 | 272247-8 | LEVER 20 | | 1 | | | | |
| 057 | 213021-5 | O RING 5 | | 1 | | | | |
| 058 | 213021-5 | O RING 5 | | 1 | | | | |
| 059 | 413095-8 | PLATE C | | 1 | | | | |
| 060 | 421899-4 | SEAL RING | | 1 | | | | |
| 061 | 268012-1 | PIN 7 | | 1 | | | | |
| 062 | 162236-0 | SHIFT BUTTON | | 1 | | | | |
| 063 | 232221-8 | LEAF SPRING A | | 1 | | | | |
| 064 | 256158-5 | PIN 3 | | 1 | | | | |
| 065 | 233345-3 | COMPRESSION SPRING 6 | | 1 | | | | |
| 066 | 256492-3 | SHOULDER PIN 5 | | 1 | | | | |
| 067 | 961052-5 | RETAINING RING S-12 | | 1 | | | | |
| 068 | 253744-3 | FLAT WASHER 12 | | 1 | | | | |
| 069 | 211131-2 | BALL BEARING 6001DDW | | 1 | | | | |
| 070 | 253744-3 | FLAT WASHER 12 | | 1 | | | | |
| 071 | 285719-4 | BEARING RETAINER A | | 1 | | | | |
| 072 | 241863-7 | FAN 70 | | 1 | | | | |
| 073 | 513603-6 | ARMATURE ASS'Y 220-240V | | 1 | | | | |
| D10 | | INC. 72,74,75 | | | | | | |
| 074 | 681650-6 | INSULATION WASHER | | 1 | | | | |
| 075 | 210029-0 | BALL BEARING 608ZZ | | 1 | | | | |
| 076-1 | 266466-6 | TAPPING SCREW 5X45 | | 2 | * | | | |
| 076-2 | 266056-5 | TAPPING SCREW 5X45 | O | 2 | | | | |
| 077 | 418817-1 | BAFFLE PLATE | | 1 | | | | |
| 078-1 | 528803-5 | FIELD ASS'Y 220-240V | | 1 | | | | |
| C10 | 654020-2 | RING TERMINAL | | 2 | | | | |
| C20 | 654501-6 | CONNECTOR P-1.25 | | 2 | | | | |
| 079 | 154498-4 | MOTOR HOUSING COMPLETE | | 1 | | | | |
| C10 | 643708-9 | BRUSH HOLDER 5-11 | | 2 | | | | |
| 080-1 | 650222-8 | SWITCH TG71ARS-1 | | 1 | | | | |
| 081 | 265995-6 | TAPPING SCREW 4X18 | | 5 | | | | |
| 082 | 183933-5 | HANDLE SET | | 1 | | | | |
| D10 | | INC. 100 | | | | | | |
| 083 | 665865-3 | POWER SUPPLY CORD 1.0-2-2.5 | | 1 | | | | |
| 084 | 265995-6 | TAPPING SCREW 4X18 | | 2 | | | | |
| 085 | 687052-4 | STRAIN RELIEF | | 1 | * | | | |
| 085-1 | 687124-5 | STRAIN RELIEF | O | 1 | | | | |
| 086 | 682573-1 | CORD GUARD 10 | | 1 | | | | |
| 092 | 631651-4 | CONTROLLER | | 1 | | | | |
| 093 | 213261-5 | O RING 17 | | 1 | | | | |
| 094 | 418905-4 | DIAL | | 1 | | | | |
| 095 | 418518-1 | SLEEVE | | 1 | | | | |
| 097 | 861231-4 | JR3070CT NAME PLATE | | 1 | | | | |

