



29/03/2012

Model HW 121

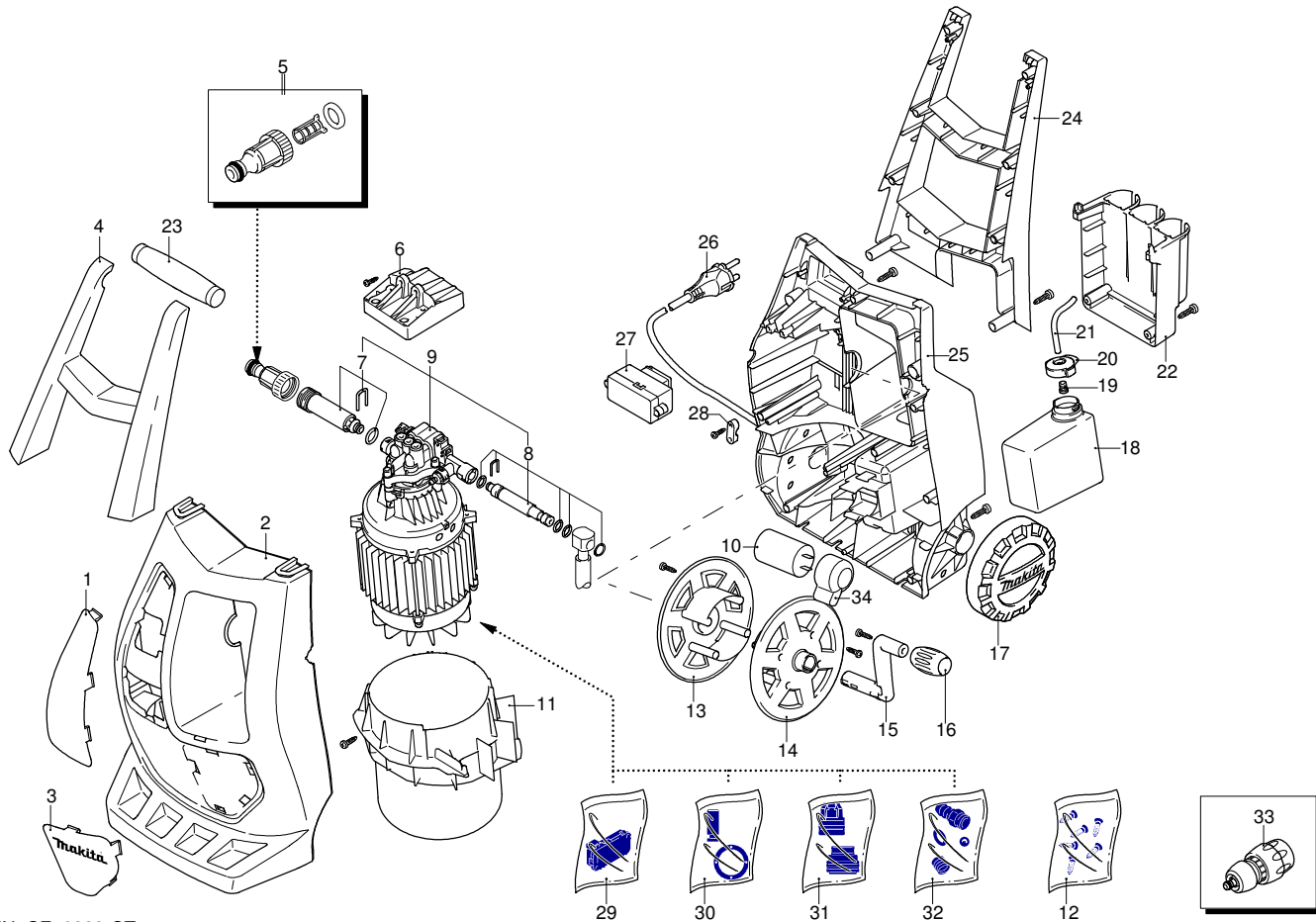
Version: Option 4

Serial number: Week 49 of 2011

Code: 13045

230 V - 50 Hz

schuko



UN_CE_0988-CT

Validity	Pos.	Code	Description	Q
	1	3640500	Green guard	1
	2	3640440	Casing	1
	3	3640510	Green guard	1
	4	3640460	Handle	1
	5	3082130	Water coupling kit	1
	6	3640520	Support	1
	7	3640870	Detergent suction kit	1
	8	42693	Delivery kit	1
	9	3641610	Electric pump assembly	1
	10	3640910	Capacitor	1
	11	3640300	Conveyor	1
	12	3640830	Screw kit	1
	13	3640250	Plate	1
	14	3640260	Plate	1
	15	3640270	Lever	1
	16	3640280	Knob	1
	17	3640760	Wheel	2
	18	3640380	Tank	1
	19	3440720	Filter	1
	20	3640390	Plug	1
	21	3640680	Detergent hose	1
	22	3640370	Accessories carrier	1
	23	3640900	Knob	1
	24	3640470	Handle	1
	25	3640450	Base	1
	26	3640770	Cable	1
	27	3640890	Switch	1
	28	3320200	Cable gland	1
	29	3640720	TSS kit	1
	30	3640860	Piston + seals kit	1
	31	3640850	Water seal kit	1
	32	3640880	Detergent suction kit	1
	33	3082661	Quick coupling	1
	34	3641110	Capacitor carrier	1



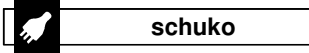
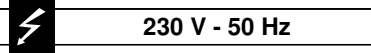
Model HW 121

29/03/2012

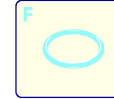
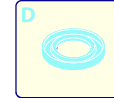
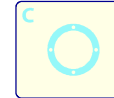
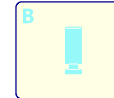
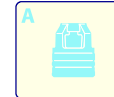
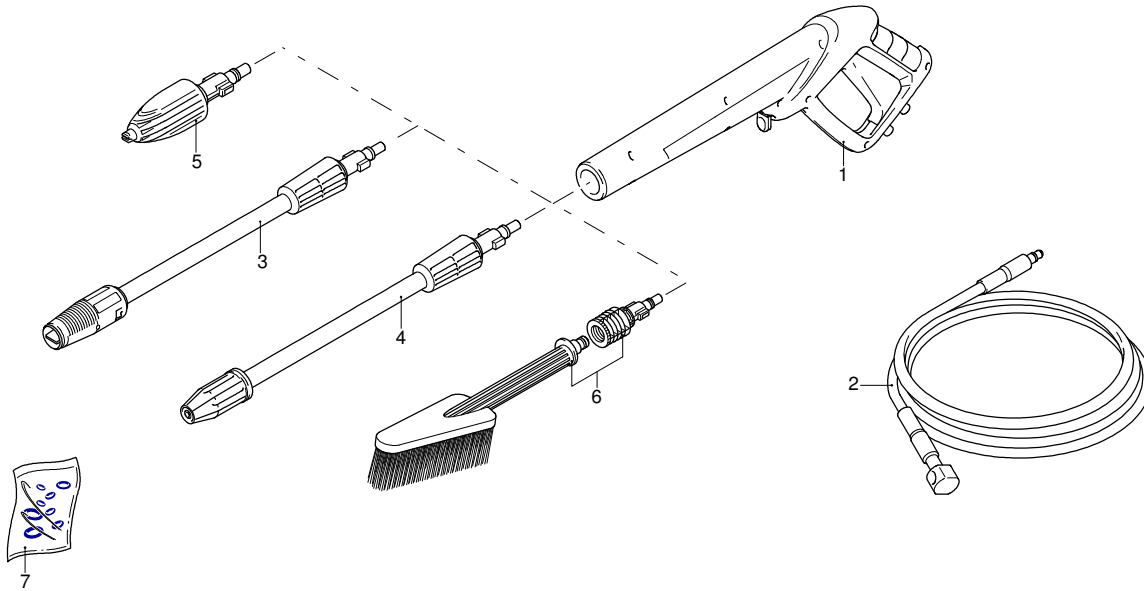
Version: Option 4

Serial number: Week 49 of 2011

Code: 13045



Validity	Pos.	Code	Description	Q
	1	3640920	Gun	1
	2	3641570	High pressure hose	1
	3	3641150	Lance+lance head	1
	4	3640940	Lance+rotopower	1
	5	3640670	Lance head	1
	6	3640950	Fixed brush	1
	7	3641140	Gasket kit	1



UN_CE_0987-CT