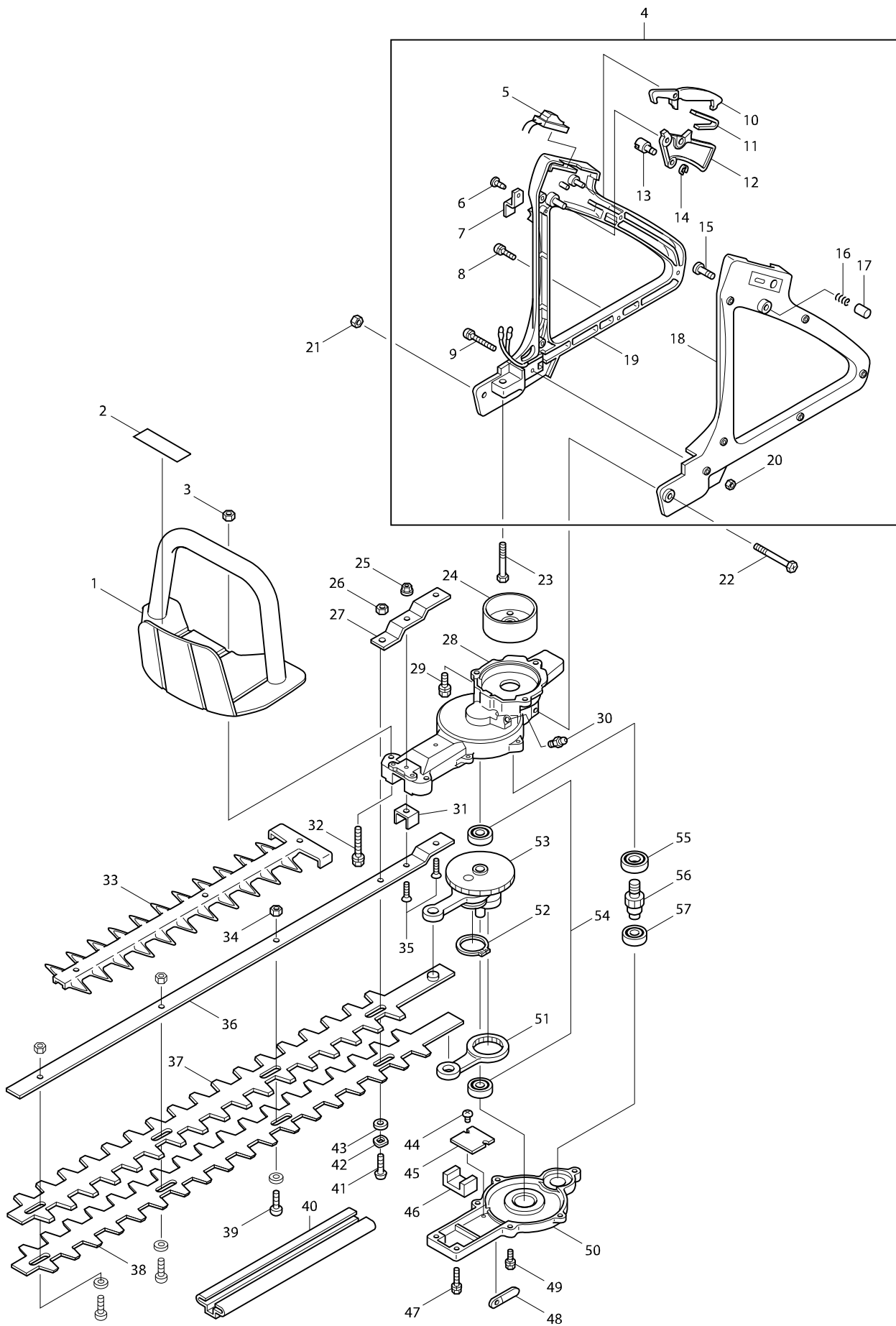
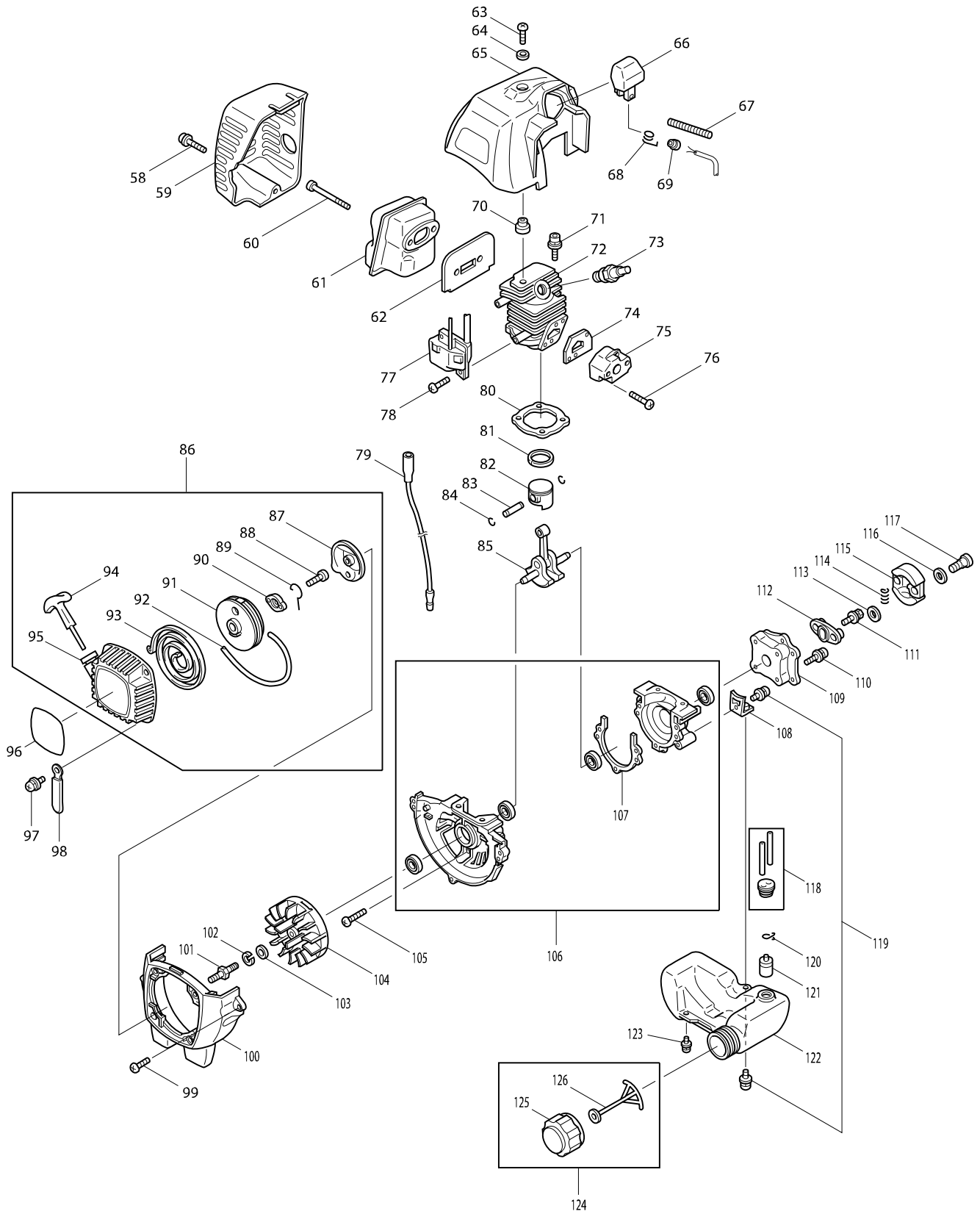


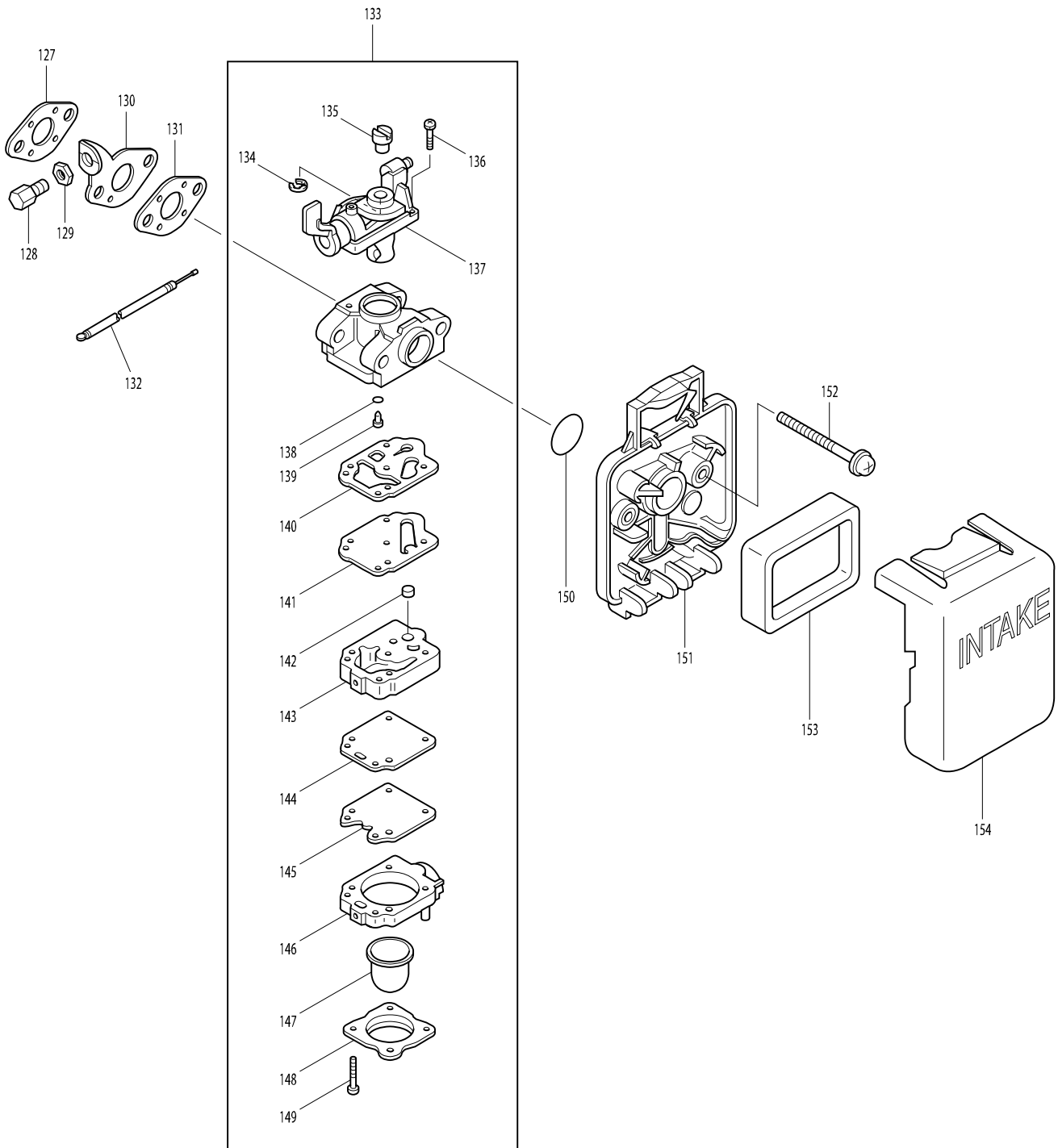
Model No. HTR5600 ENGINE HEDGE TRIMMER



Model No. HTR5600 ENGINE HEDGE TRIMMER



Model No. HTR5600 ENGINE HEDGE TRIMMER



Model No. HTR5600 ENGINE HEDGE TRIMMER

Item	Parts No.	Description	I/C	QTY	N/O	Opt. 1	Opt. 2	NOTE
001	1181550000	FRONT HANDLE		1				
002	801S46-1	CAUTION LABEL		1				
003	0151060000	NUT M6		2	*			
003-1	151060000K	HEX. NUT 2 M6	O	2				
004	1180110000	REAR HANDLE ASS'Y		1	*			
D10		INC. 4-14,17-20			*			
004-1	126493-4	CONTROL LEVER ASSY	O	1				
D10		INC. 4-14,17-20						
005	0005044004	SWITCH		1	*			
005-1	005044004A	SLIDE SWITCH	O	1				
006	0112040100	SCREW M4X10		1	*			
006-1	112040100K	TAPPING SCREW M4X10	O	1				
007	1181210000	CABLE HOLDER		1				
008	0017040160	SCREW M4X16(W,SW)		5	*			
008-1	017040160K	PAN HEAD SCREW M4X16	O	5				
009	0017040300	SCREW M4X30(W,SW)		1	*			
009-1	017040300K	PAN HEAD SCREW M4X30	O	1				
010	1181510000	STOPPER		1	*			
010-1	XOC0000033	STOPPER	<	1				
011	1181540000	LEAF SPRING		1	*			
011-1	1181620000	LEAF SPRING	O	1				
012	1181150000	LEVER		1	*			
012-1	XOC0000032	LEVER	<	1				
013	1181110000	WIRE END		1				
014	0280002500	SNAP RING		1	*			
014-1	280002500K	RETAINING RING ETW 2.5	O	1				
017	1181600000	BUSH		1				
018	1181500000	REAR HANDLE (L)		1				
019	1181490000	REAR HANDLE (R)		1				
020	0015004000	NUT M4		6	*			
020-1	150040000K	HEX. NUT M4	O	6				
021	0021706000	NUT M6		1				
022	266881-4	+HEX BOLT M6X50 WITH.WR		1				
023	0011706400	BOLT ASSEMBLY		1				
024	1361410000	DRUM COMPLETE		1				
025	0162050000	FLANGE NUT M5		1	*			
025-1	162050000K	FLANGE NUT M5	O	1				
026	0162050000	FLANGE NUT M5		1	*			
026-1	162050000K	FLANGE NUT M5	O	1				
027	3251020040	REINFORCING PLATE		1				
028	0325100002	UPPER CASE		1				
029	0011606160	BOLT M6X16		2				
030	0055000100	GREASE NIPPLE M6		1	*			
030-1	055000100R	GREASING NIPPLE	O	1				
031	3251030040	SLIGHTLY STOPPER		1				
032	0011606350	BOLT ASSEMBLY		2				
033	0287110002	BLADE GUARD		1	*			
033-1	287110002A	BLADE GUARD (W)	O	1	*			

Model No. HTR5600 ENGINE HEDGE TRIMMER

Item	Parts No.	Description	I/C	QTY	N/O	Opt. 1	Opt. 2	NOTE
033-2	XOC0000030	BLADE GUARD	<	1				
034	0164060000	U-NUT M6		4	*			
034-1	164060000K	HEX. U-NUT M6	O	4				
035	0011050200	SCREW		2	*			
035-1	011050200K	+COUNTERSUNK HEAD SCREW M5X2	O	2				
036	1181260000	BLADE SUPPORT BAR		1				
037	6018505400	UPPER BLADE		1				
038	6018505500	LOWER BLADE		1				
039	0040002009	SCREW L=19		3	*			
039-1	040002009A	BLADE SLIDE SCREW L19	O	3				
040	0028002039	BLADE COVER		1	*			
040-1	028002039A	BLADE COVER	O	1				
041	0040003009	SCREW M6X22		1	*			
041-1	040003009A	SCREW M6X22	O	1				
042	0229060000	WAVE WASHER		1	*			
042-1	229060000K	WAVE WASHER	O	1				
043	0082500000	BLADE SLIDING WASHER		4				
044	0010030050	SCREW M3X5		2	*			
044-1	010030050K	(+)PAN HEAD SCREW M3X5	O	2				
045	0301100000	ROD SLIDING PLATE		1				
046	3251040040	FELT		1				
047	0054050160	BOLT M5X16(W,SW)		2	*			
047-1	054050160K	(+)HEX. BOLT M5X16	O	2				
048	0566079970	CLAMP		1				
049	0054050160	BOLT M5X16(W,SW)		5	*			
049-1	054050160K	(+)HEX. BOLT M5X16	O	5				
050	3251010020	CASE (LOWER)		1				
051	TE1A044000	ROD		1	*			
051-1	1A044000TE	ROD	O	1	*			
051-2	XOC0000018	ROD	O	1				
052	0283026000	SNAP RING		1	*			
052-1	283026000K	RETAINING RING STW-26	O	1				
053	1360030000	GEAR CRANK ASS'Y		1				
054	0353006080	BALL BEARING ZZ 608		2	*			
054-1	353006080K	BEARING 608ZZ	O	2				
055	0354060010	BALL BEARING UU 6001		1	*			
055-1	354060010K	BALL BEARING 6001 2RS	O	1				
056	1361420000	PINION GEAR		1				
057	0353006080	BALL BEARING ZZ 608		1	*			
057-1	353006080K	BEARING 608ZZ	O	1				
058	0140059290	SCREW ASSY		1				
059	5253500500	MUFFLER COVER		1				
060	266754-1	SOCKET HEAD BOLT		2				
061	5253071000	EXHAUST MUFFLER		1				
062	5253500102	MUFFLER GASKET		1				
063	0140059490	SCREW		1				
064	0200070010	WASHER		1				
065	5255500301	CYLINDER COVER (MAKITA COLOR)		1				

Model No. HTR5600 ENGINE HEDGE TRIMMER

Item	Parts No.	Description	I/C	QTY	N/O	Opt. 1	Opt. 2	NOTE
066	5237503301	PLUG CAP		1				
067	0851049950	TUBE		1				
068	324891-8	PLUG CAP SPRING		1				
069	424313-9	GROMMET		1				
070	5503503001	SPACER		1				
071	266814-9	HEX SOCKET HEAD BOLT M5X20		2				
072	318762-9	CYLINDER		1				
073	168662-1	SPARK PLUG(BMR7A)		1				
074	5253500200	INSULATOR GASKET		1				
075	141056-5	INSULATOR COMPLETE		1				
076	266700-4	PAN HEAD SCREW M5X25		2				
077	5257001021	COIL		1				
078	0043704200	SCREW ASSY M4X20		2				
079	5607005000	WIRE COMPLETE (2)		1				
080	442171-1	CYLINDER GASKET		1				
081	257979-8	PISTON RING		1				
082	5232501902	PISTON		1				
083	257781-9	PISTON PIN		1				
084	233976-8	CLIP		2				
085	5252002002	CRANKSHAFT COMPLETE		1				
086	5255052000	REWIND STARTER		1				
D10		INC. 87-95						
087	5255505900	PULLY		1				
088	266585-8	TAPPING SCREW 5X12		1				
089	325923-4	SWING ARM		1				
090	451938-6	COLLAR		1				
091	452972-9	REEL		1				
092	444024-0	STARTER ROPE		1				
093	234220-6	SPIRAL SPRING		1				
094	424319-7	STARTER KNOB		1				
095	424359-5	DAMPER		1				
096	801S90-8	HTR5600 MODEL NO. LABEL		1				
097	0140049760	SCREW ASSEMBLY		4				
098	345963-6	CLAMP		1				
099	266699-3	PAN HEAD SCREW M5X18		3				
100	5255505700	BLOWER HOUSING		1				
101	5257501400	BOLT		1				
102	0032006000	SPRING WASHER		1				
103	0031206000	WASHER		1				
104	5257041010	FLYWHEEL		1				
105	266701-2	PAN HEAD SCREW M5X25		3				
106	5251003000	CRANKCASE COMPLETE		1				
D10		INC. 107						
107	424447-8	CRANK CASE GASKET		1				
108	5256002000	TANK PLATE COMPLETE		1				
109	318892-6	SPACER		1				
110	266699-3	PAN HEAD SCREW M5X18		4				
111	266703-8	HEX. HEAD BOLT M6X14		1				

Model No. HTR5600 ENGINE HEDGE TRIMMER

Item	Parts No.	Description	I/C	QTY	N/O	Opt. 1	Opt. 2	NOTE
112	6202500000	HOLDER		1				
113	267429-5	FLAT WASHER 6		2				
114	5238500500	CLUTCH SPRING		1				
115	6252500801	CLUTCH SHOE		2				
116	267817-6	WASHER 8		2				
117	266457-7	SHOULDER HEX. BOLT M6X25		2				
118	5256012001	TUBE ASS'Y		1				
119	0140059290	SCREW ASSY		2				
120	345920-4	HOSE CLAMP		1				
121	163447-0	GASOLINE FILTER		1				
122	5256025000	FUEL TANK COMPLETE		1				
123	0150059800	TAPPING SCREW M5X18		2				
124	168668-9	FUEL TANK CAP COMPLETE		1				
D10		INC. 125,126						
125	452920-8	FUEL TANK CAP		1				
126	140436-2	STRAP COMPLETE		1				
127	442177-9	GASKET AIR CLEANER		1				
128	326084-3	CABLE ADJUST SCREW M6X13		1				
129	0022706000	NUT M6		1				
130	5256501900	CABLE BRACKET		1				
131	442177-9	GASKET AIR CLEANER		1				
132	0630029830	CONTROL CABLE		1				
133	5256085000	CARBURETOR		1				
D10		INC. 134-149						
134	257964-1	STOP RING E-3		1				
135	325922-6	SWIVEL		1				
136	266581-6	PAN HEAD SCREW M3X8 WITH W		2	*			
136-1	WJ00096364	SCREW M3X8 WITH WASHER	O	2				
137	5196002010	THROTTLE VALVE ASS'Y		1				
138	213538-8	O RING 2		1				
139	326085-1	JET		1				
140	442172-9	PUMP GASKET		1				
141	168575-6	PUMP DIAPHRAGM		1				
142	352010-6	INLET SCREEN		1	*			
142-1	WJ00014070	INLET SCREEN	O	1				
143	140989-1	PUMP BODY ASSEMBLY		1				
144	442154-1	METERING DIAPHRAGM GASKET		1				
145	168767-7	METALING DIAPHRAGM		1				
146	140988-3	AIR PURGE BODY ASSEMBLY		1				
147	424314-7	PRIMER PUMP		1				
148	346270-0	PRIMER PUMP COVER		1				
149	266582-4	TAPPING SCREW 3X24		4				
150	5236061000	O RING		1				
151	5253003020	AIR CLEANER HOUSING COMPLETE		1				
152	0043305650	SCREW ASS'Y		2				
153	5203004010	AIR FILTER		1				
154	5253020010	AIR CLEANER COVER		1				
A01	5019001000	TOOL		1				