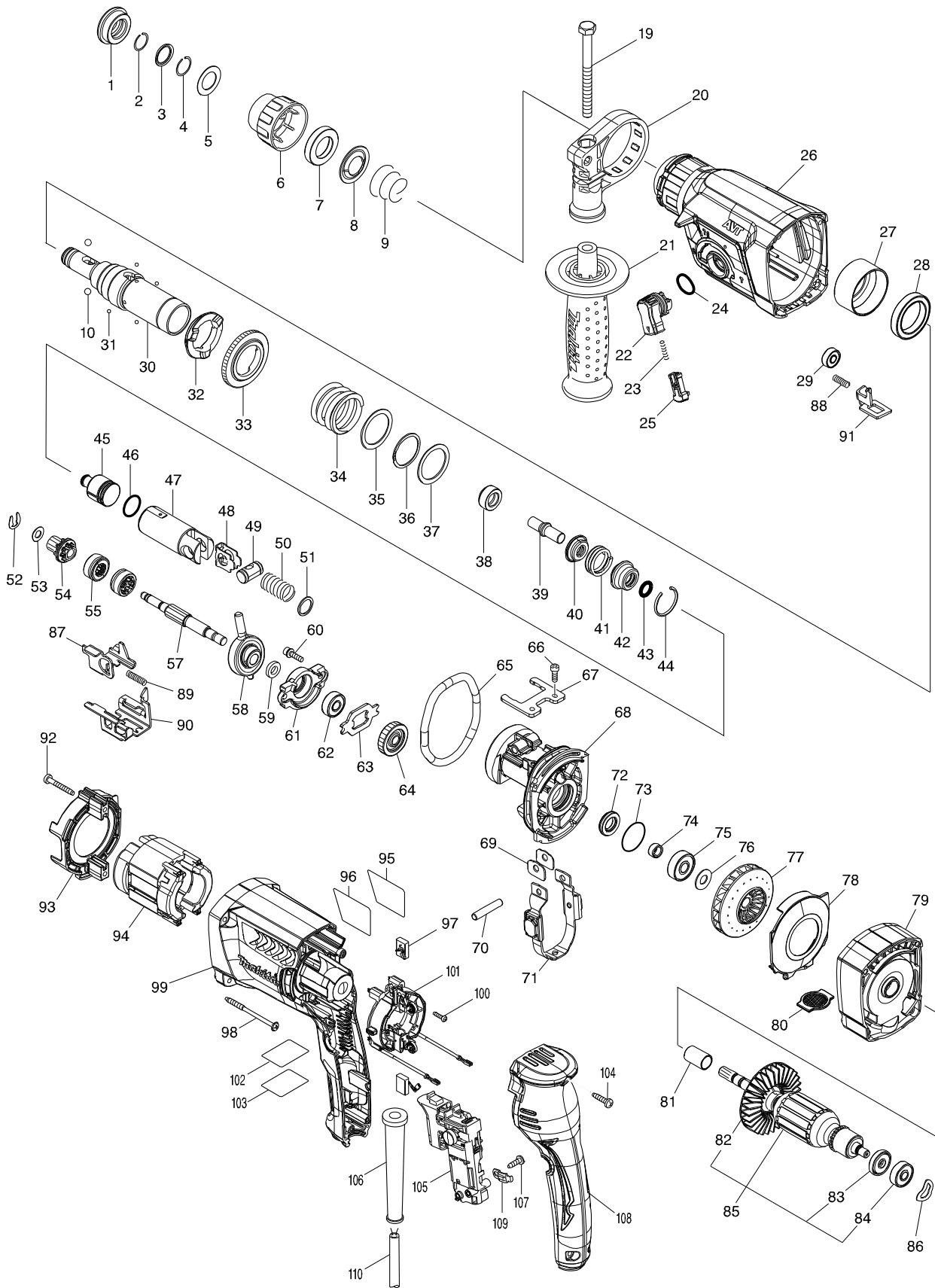


Model No. HR2651 26MM COMB.HAMMER W/DUST EXT.



Model No. HR2651 26MM COMB.HAMMER W/DUST EXT.

Model No. HR2651 26MM COMB.HAMMER W/DUST EXT.

| Item | Parts No. | Description | I/C | QTY | N/O | Sales | | NOTE |
|------|-----------|----------------------------|-----|-----|-----|--------|--|------|
| 001 | 286288-8 | CAP 35 | | 1 | | 21.00 | | |
| 002 | 233989-9 | RING SPRING 14 | | 1 | | 9.00 | | |
| 003 | 346834-0 | WASHER 16 | | 1 | | 25.00 | | |
| 004 | 233992-0 | RING SPRING 15 | | 1 | | 9.00 | | |
| 005 | 267114-0 | FLAT WASHER 17 | | 1 | | 12.00 | | |
| 006 | 455393-4 | CHUCK COVER | | 1 | | 32.00 | | |
| 007 | 325813-1 | RING 21 | | 1 | | 51.00 | | |
| 008 | 346177-0 | GUIDE WASHER | | 1 | | 18.00 | | |
| 009 | 233916-6 | CONICAL COMP. SPRING 21-29 | | 1 | | 13.00 | | |
| 010 | 216022-2 | STEEL BALL 7.0 | | 2 | | 11.00 | | |
| 019 | 266745-2 | HEX.BOLT M8X90 | | 1 | | | | |
| 020 | 453129-5 | GRIP BASE | | 1 | | | | |
| 021 | 158057-6 | GRIP 36 COMPLETE | | 1 | | 230.00 | | |
| C10 | 931402-8 | HEX. NUT M8 | | 1 | | 11.00 | | |
| 022 | 457709-9 | LOCK BUTTON | | 1 | | | | |
| 023 | 234264-6 | COMPRESSION SPRING 3 | | 1 | | | | |
| 024 | 213278-8 | O RING 17 | | 1 | | 13.00 | | |
| 025 | 161656-5 | CHANGE LEVER COMPLETE | | 1 | | | | |
| 026 | 144615-4 | GEAR HOUSING COMPLETE | | 1 | | | | |
| C10 | 213636-8 | OIL SEAL 25 | | 1 | | 205.00 | | |
| 027 | 331890-3 | CUP SLEEVE | | 1 | | 152.00 | | |
| 028 | 211294-4 | BALL BEARING 6806LLU | | 1 | | 464.00 | | |
| 029 | 210028-2 | BALL BEARING 606ZZ | | 1 | | 51.00 | | |
| 030 | 142972-4 | TOOL HOLDER COMPLETE | | 1 | | | | |
| C10 | 213344-1 | OIL SEAL 9 | | 1 | | 180.00 | | |
| 031 | 216019-1 | STEEL BALL 3 | | 4 | | 12.00 | | |
| 032 | 332139-4 | DRIVING FLANGE | | 1 | | 241.00 | | |
| 033 | 227360-7 | SPUR GEAR 51 | | 1 | | 138.00 | | |
| 034 | 234148-8 | COMPRESSION SPRING 31 | | 1 | | 63.00 | | |
| 035 | 267153-0 | FLAT WASHER 30 | | 1 | | 21.00 | | |
| 036 | 257932-4 | SPIRO LOCK WASHER 30 | | 1 | | 166.00 | | |
| 037 | 267153-0 | FLAT WASHER 30 | | 1 | | 21.00 | | |
| 038 | 325783-4 | SLEEVE 9B | | 1 | | | | |
| 039 | 325789-2 | IMPACT BOLT A | | 1 | | 60.00 | | |
| 040 | 325792-3 | WASHER 10 | | 1 | | | | |
| 041 | 234149-6 | COMPRESSION SPRING 20 | | 1 | | | | |
| 042 | 325793-1 | O-RING CASE B | | 1 | | | | |
| 043 | 213073-6 | O RING 9 | | 1 | | 46.00 | | |
| 044 | 233979-2 | RING SPRING 28 | | 1 | | 7.00 | | |
| 045 | 325784-2 | STRIKER | | 1 | | 152.00 | | |
| 046 | 213258-4 | O RING 17.5 | | 1 | | 30.00 | | |
| 047 | 310345-1 | PISTON CYLINDER | | 1 | | 442.00 | | |
| 048 | 346036-8 | GUIDE PLATE | | 1 | | 22.00 | | |
| 049 | 324215-8 | PISTON JOINT | | 1 | | 88.00 | | |
| 050 | 234098-7 | COMPRESSION SPRING 14 | | 1 | | 12.00 | | |
| 051 | 267447-3 | FLAT WASHER 14 | | 1 | | 9.00 | | |
| 052 | 257336-0 | STOP RING EXT U-6 | | 1 | | 12.00 | | |
| 053 | 253186-1 | FLAT WASHER 7 | | 1 | | 5.00 | | |

Please order the parts with a part number.

Print Date 21/09/2017

Model No. HR2651 26MM COMB.HAMMER W/DUST EXT.

| Item | Parts No. | Description | I/C | QTY | N/O | Sales | NOTE |
|------|-----------|-----------------------------|-----|-----|-----|--------|------|
| 054 | 227359-2 | SPUR GEAR 10 | | 1 | | 969.00 | |
| 055 | 332125-5 | CLUTCH CAM | | 2 | | 287.00 | |
| 057 | 326448-1 | CAM SHAFT | | 1 | | 298.00 | |
| 058 | 219023-9 | SWASH BEARING 10 | | 1 | | | |
| 059 | 257321-3 | RING 8 | | 1 | | 17.00 | |
| 060 | 266437-3 | HEX. SOCKET HEAD BOLT M4X16 | | 2 | | 12.00 | |
| 061 | 310344-3 | BEARING BOX | | 1 | | 124.00 | |
| 062 | 211032-4 | BALL BEARING 608ZZ | | 1 | | 120.00 | |
| 063 | 285735-6 | BEARING RETAINER | | 1 | | 32.00 | |
| 064 | 227719-8 | HELICAL GEAR 26 | | 1 | | 197.00 | |
| 065 | 213728-3 | O-RING 68 | | 1 | | 44.00 | |
| 066 | 265353-6 | HEX. SOCKET HEAD BOLT M4X12 | | 2 | | 56.00 | |
| 067 | 346222-1 | PLATE | | 1 | | | |
| 068 | 141573-5 | INNER HOUSING COMPLETE | | 1 | | | |
| 069 | 346180-1 | WEIGHT HOLDER GUIDE | | 2 | | | |
| 070 | 256246-8 | PIN 6 | | 1 | | 22.00 | |
| 071 | 161655-7 | COUNTER WEIGHT | | 1 | | | |
| 072 | 213678-2 | OIL SEAL 12 | | 1 | | 230.00 | |
| 073 | 213407-3 | O RING 26 | | 1 | | 15.00 | |
| 074 | 262569-4 | SLEEVE 9 | | 1 | | 42.00 | |
| 075 | 210042-8 | BALL BEARING 629LLB | | 1 | | 147.00 | |
| 076 | 253733-8 | FLAT WASHER 9 | | 1 | | | |
| 077 | 240182-8 | FAN 65 | | 1 | | | |
| 078 | 457711-2 | BAFFLE PLATE | | 1 | | | |
| 079 | 457710-4 | FAN HOUSING | | 1 | | | |
| 080 | 457713-8 | FILTER PLATE | | 1 | | | |
| 081 | 262184-4 | SLEEVE 10 | | 1 | | | |
| 082 | 240121-8 | FAN 65 | | 1 | | 53.00 | |
| 083 | 681652-2 | INSULATION WASHER | | 1 | | 19.00 | |
| 084 | 210023-2 | BALL BEARING 627DDW | | 1 | | 118.00 | |
| 085 | 515424-2 | ARMATURE ASSY 240V | | 1 | | | |
| D10 | | INC. 82-84 | | | | | |
| 086 | 267804-5 | WAVE WASHER 15 | | 1 | | 13.00 | |
| 087 | 347230-5 | CHANGE PLATE B | | 1 | | | |
| 088 | 233360-7 | COMPRESSION SPRING 4 | | 1 | | 7.00 | |
| 089 | 234343-0 | COMPRESSION SPRING 5 | | 1 | | 6.00 | |
| 090 | 347229-0 | CHANGE PLATE A | | 1 | | | |
| 091 | 347228-2 | LOCK PLATE | | 1 | | | |
| 092 | 266361-0 | TAPPING SCREW 4X30 | | 2 | | 11.00 | |
| 093 | 451527-7 | BAFFLE PLATE | | 1 | | 40.00 | |
| 094 | 628393-9 | FIELD | | 1 | | | |
| 095 | 819390-8 | CLEAR LABEL | | 1 | | 7.00 | |
| 096 | 853L95-2 | HR2651 NAME PLATE | | 1 | | | |
| 097 | 194074-2 | CARBON BRUSH CB-325 | | 1 | | 101.00 | |
| 098 | 266334-3 | TAPPING SCREW 4X60 | | 4 | | 9.00 | |
| 099 | 451536-6 | MOTOR HOUSING | | 1 | | 492.00 | |
| 100 | 266556-5 | TAPPING SCREW 3X12 | | 2 | | 4.00 | |
| 101 | 632K38-9 | BRUSH HOLDER UNIT | | 1 | | | |

Please order the parts with a part number.

Print Date 21/09/2017

| Item | Parts No. | Description | I/C | QTY | N/O | Sales | NOTE |
|------|-----------|-----------------------------|-----|-----|-----|--------|------|
| 102 | 853M00-5 | HR2651 SERIAL NO. LABEL | | 1 | | | |
| 103 | 819389-3 | CLEAR LABEL | | 1 | | 9.00 | |
| 104 | 266326-2 | TAPPING SCREW 4X18 | | 3 | | 4.00 | |
| 105 | 650626-4 | SWITCH TG853TB-1 | | 1 | | 617.00 | |
| 106 | 682566-8 | CORD GUARD 10 | | 1 | | 26.00 | |
| 107 | 266385-6 | TAPPING SCREW 4X14 | | 1 | | 9.00 | |
| 108 | 451528-5 | HANDLE COVER | | 1 | | 216.00 | |
| 109 | 687682-1 | STRAIN RELIEF | | 1 | | 17.00 | |
| 110 | 665890-4 | POWER SUPPLY CORD 1.0-2-4.0 | | 1 | | 743.00 | |
| 112 | 135905-6 | DUST CASE ASSY | | 1 | | | |
| D10 | | INC. 113-118,120-142 | | | | | |
| 113 | 424722-2 | FITTING RUBBER | | 1 | | | |
| 114 | 455736-0 | COLLECTOR | | 1 | | | |
| 115 | 424474-5 | SEALING CAP | | 1 | | | |
| 116 | 251568-1 | H.S.H.BOLT M3X12 WITH WR | | 2 | | | |
| 117 | 457730-8 | COLLECTOR BASE A | | 1 | | | |
| 118 | 457723-5 | PIPE COVER | | 1 | | | |
| 120 | 457718-8 | PUSH BUTTON B | | 1 | | | |
| 121 | 326988-9 | SLIDE PIPE | | 1 | | | |
| 122 | 457728-5 | STOPPER BASE B | | 1 | | | |
| 123 | 457722-7 | RACK GUIDE | | 1 | | | |
| 124 | 232386-6 | COMPRESSION SPRING 4 | | 2 | | | |
| 125 | 457721-9 | SPRING PLATE | | 2 | | | |
| 126 | 457717-0 | PUSH BUTTON A | | 1 | | | |
| 127 | 931102-0 | HEX. NUT M4 | | 1 | | 20.00 | |
| 128 | 457719-6 | STOPPER BASE A | | 1 | | | |
| 129 | 251314-2 | + SCREW M4X12 | | 1 | | 9.00 | |
| 130 | 245043-7 | HOSE 30 D | | 1 | | | |
| 131 | 457716-2 | LOCK LEVER | | 1 | | | |
| 132 | 231316-4 | COMPRESSION SPRING 7 | | 1 | | | |
| 133 | 266130-9 | TAPPING SCREW BIND PT 3X16 | | 8 | | 6.00 | |
| 134 | 183G77-3 | HOUSING SET | | 1 | | | |
| D10 | | INC. 139 | | | | | |
| 135 | 457712-0 | JOINT SLEEVE | | 2 | | | |
| 136 | 245042-9 | HOSE 30 C | | 1 | | | |
| 137 | 256158-5 | PIN 3 | | 1 | | 13.00 | |
| 138 | 457720-1 | PUSH LEVER | | 1 | | | |
| 139 | 183G77-3 | HOUSING SET | | 1 | | | |
| D10 | | INC. 134 | | | | | |
| 140 | 457724-3 | INNER PIPE | | 1 | | | |
| 141 | 457725-1 | SPONGE SHEET B | | 1 | | | |
| 142 | 198982-9 | DUST CASE SET | | 1 | | | |
| C10 | 196165-5 | FILTER SET | | 1 | | | |
| A01 | 324219-0 | DEPTH GAUGE | | 1 | | 32.00 | |
| A02 | 424474-5 | SEALING CAP | | 5 | | | |
| A03 | 821722-7 | PLASTIC CASE | | 1 | | | |
| C10 | 162302-3 | LATCH | | 2 | | 53.00 | |