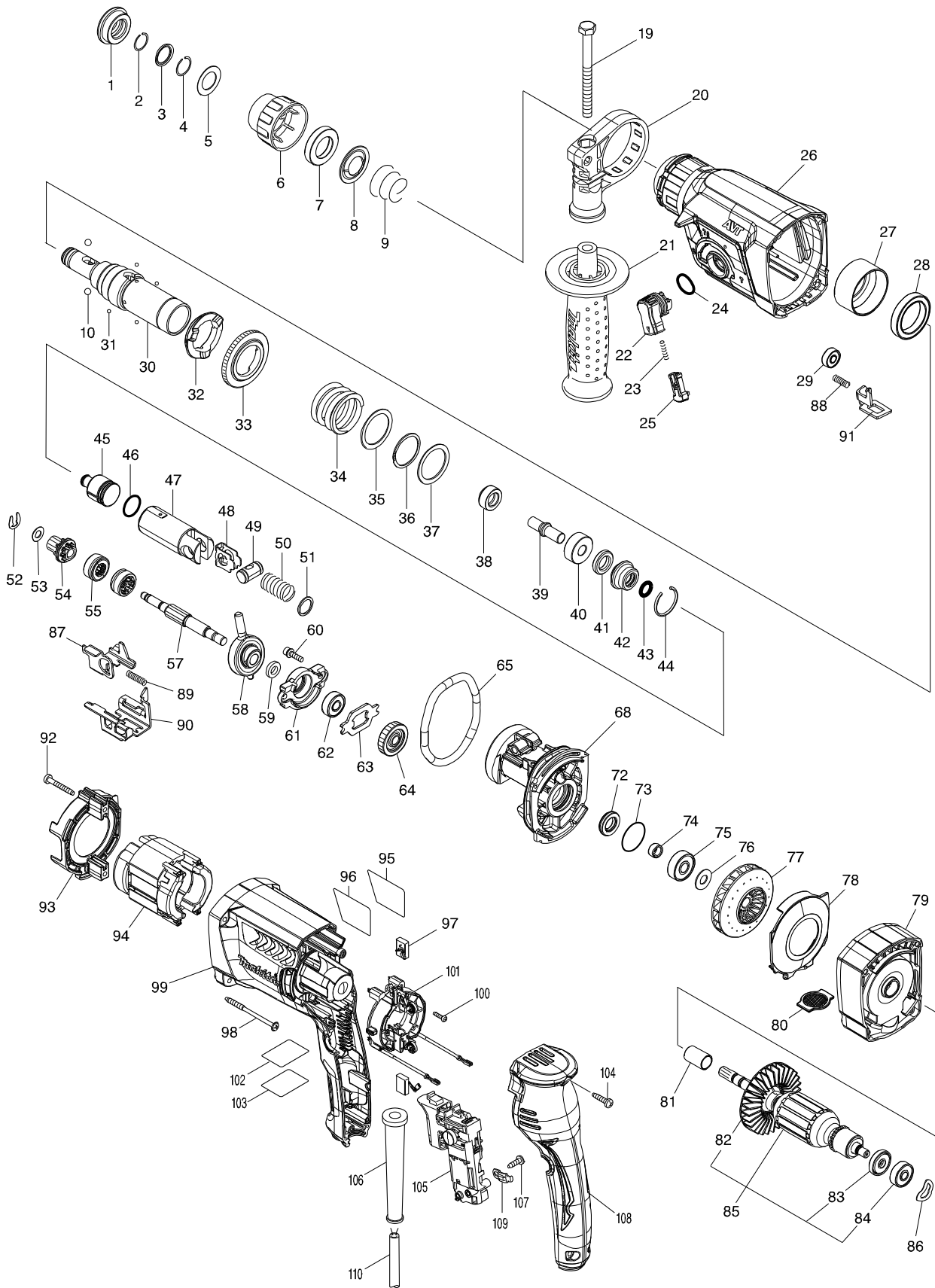
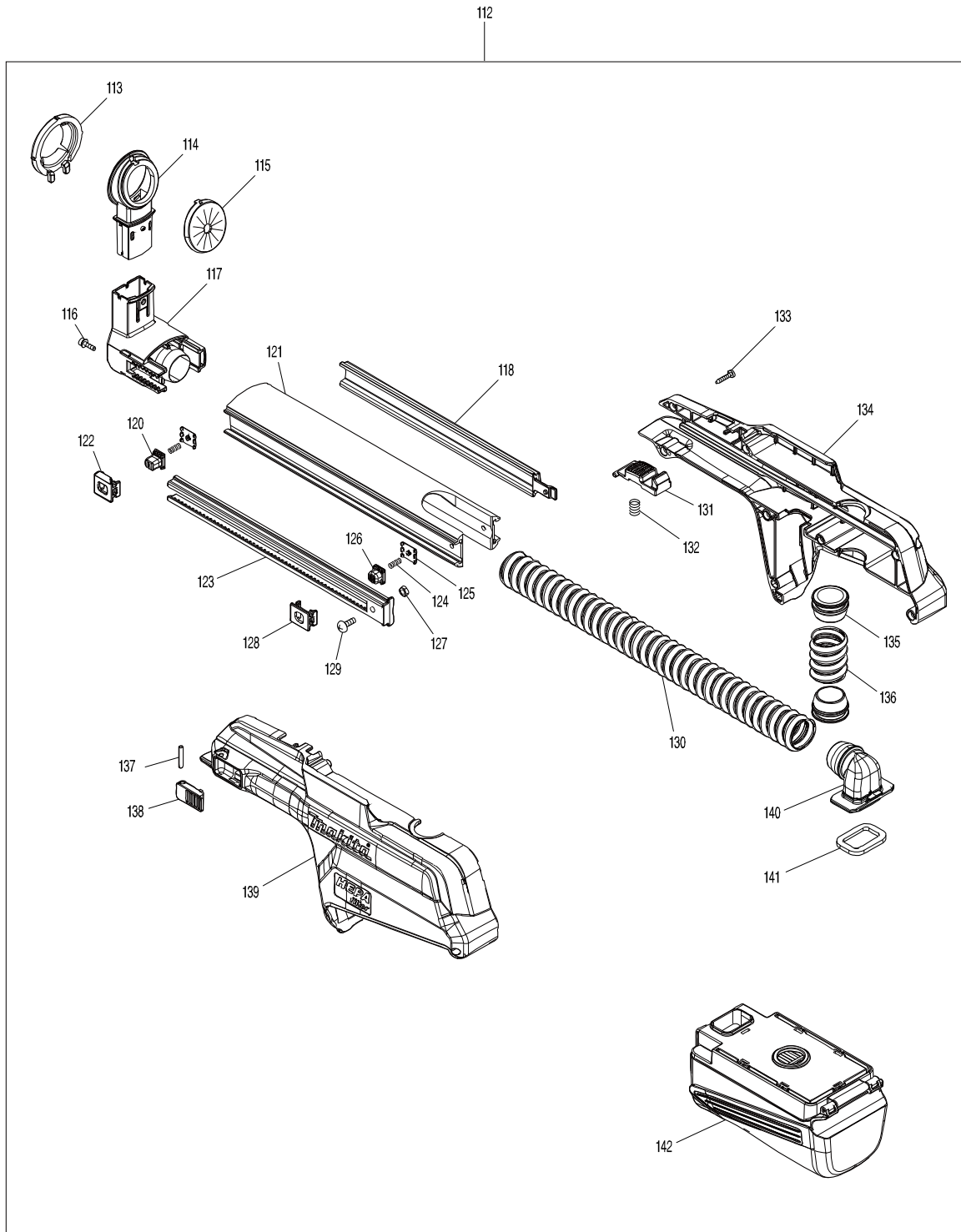


Model No. HR2650 26MM COMB.HAMMER W/DUST EXT.



Model No. HR2650 26MM COMB.HAMMER W/DUST EXT.



Model No. HR2650 26MM COMB.HAMMER W/DUST EXT.

Item	Parts No.	Description	I/C	QTY	N/O	Sales	Purch.	NOTE
001	286288-8	CAP 35		1		21.00		
002	233989-9	RING SPRING 14		1		9.00		
003	346834-0	WASHER 16		1		25.00		
004	233992-0	RING SPRING 15		1		9.00		
005	267114-0	FLAT WASHER 17		1		12.00		
006	455393-4	CHUCK COVER		1		32.00		
007	325813-1	RING 21		1		51.00		
008	346177-0	GUIDE WASHER		1		18.00		
009	233916-6	CONICAL COMP. SPRING 21-29		1		13.00		
010	216022-2	STEEL BALL 7.0		2		11.00		
019	266745-2	HEX.BOLT M8X90		1				
020	453129-5	GRIP BASE		1				
021	158057-6	GRIP 36 COMPLETE		1		230.00		
C10	931402-8	HEX. NUT M8		1		11.00		
022	457709-9	LOCK BUTTON		1				
023	234264-6	COMPRESSION SPRING 3		1				
024	213278-8	O RING 17		1		13.00		
025	161656-5	CHANGE LEVER COMPLETE		1				
026	144616-2	GEAR HOUSING COMPLETE		1				
C10	213636-8	OIL SEAL 25		1		205.00		
027	331890-3	CUP SLEEVE		1		152.00		
028	211294-4	BALL BEARING 6806LLU		1		464.00		
029	210028-2	BALL BEARING 606ZZ		1		51.00		
030	142973-2	TOOL HOLDER COMPLETE		1		1,265.00		
C10	213344-1	OIL SEAL 9		1		180.00		
031	216019-1	STEEL BALL 3		4		12.00		
032	332139-4	DRIVING FLANGE		1		241.00		
033	227360-7	SPUR GEAR 51		1		138.00		
034	234148-8	COMPRESSION SPRING 31		1		63.00		
035	267153-0	FLAT WASHER 30		1		21.00		
036	257932-4	SPIRO LOCK WASHER 30		1		166.00		
037	267153-0	FLAT WASHER 30		1		21.00		
038	325782-6	SLEEVE 9A		1		79.00		
039	325789-2	IMPACT BOLT A		1		60.00		
040	325794-9	RING 10A		1		42.00		
041	424267-0	CUSHION RING 12		1		51.00		
042	325798-1	O-RING CASE A		1		82.00		
043	213073-6	O RING 9		1		46.00		
044	233979-2	RING SPRING 28		1		7.00		
045	325784-2	STRIKER		1		152.00		
046	213258-4	O RING 17.5		1		30.00		
047	310345-1	PISTON CYLINDER		1		442.00		
048	346036-8	GUIDE PLATE		1		22.00		
049	324215-8	PISTON JOINT		1		88.00		
050	234098-7	COMPRESSION SPRING 14		1		12.00		
051	267447-3	FLAT WASHER 14		1		9.00		
052	257336-0	STOP RING EXT U-6		1		12.00		
053	253186-1	FLAT WASHER 7		1		5.00		

Please order the parts with a part number.

Print Date 22/09/2017

Item	Parts No.	Description	I/C	QTY	N/O	Sales	Purch.	NOTE
054	227359-2	SPUR GEAR 10		1		969.00		
055	332125-5	CLUTCH CAM		2		287.00		
057	326448-1	CAM SHAFT		1		298.00		
058	219021-3	SWASH BEARING 10		1		693.00		
059	257321-3	RING 8		1		17.00		
060	266437-3	HEX. SOCKET HEAD BOLT M4X16		2		12.00		
061	310344-3	BEARING BOX		1		124.00		
062	211032-4	BALL BEARING 608ZZ		1		120.00		
063	285735-6	BEARING RETAINER		1		32.00		
064	227719-8	HELICAL GEAR 26		1		197.00		
065	213728-3	O-RING 68		1		44.00		
068	141572-7	INNER HOUSING COMPLETE		1		565.00		
072	213678-2	OIL SEAL 12		1		230.00		
073	213407-3	O RING 26		1		15.00		
074	262569-4	SLEEVE 9		1		42.00		
075	210042-8	BALL BEARING 629LLB		1		147.00		
076	253733-8	FLAT WASHER 9		1				
077	240182-8	FAN 65		1				
078	457711-2	BAFFLE PLATE		1				
079	457710-4	FAN HOUSING		1				
080	457713-8	FILTER PLATE		1				
081	262184-4	SLEEVE 10		1				
082	240121-8	FAN 65		1		53.00		
083	681652-2	INSULATION WASHER		1		19.00		
084	210023-2	BALL BEARING 627DDW		1		118.00		
085	515424-2	ARMATURE ASSY 240V		1				
D10		INC. 82-84						
086	267804-5	WAVE WASHER 15		1		13.00		
087	347230-5	CHANGE PLATE B		1				
088	233360-7	COMPRESSION SPRING 4		1		7.00		
089	234343-0	COMPRESSION SPRING 5		1		6.00		
090	347229-0	CHANGE PLATE A		1				
091	347228-2	LOCK PLATE		1				
092	266361-0	TAPPING SCREW 4X30		2		11.00		
093	451527-7	BAFFLE PLATE		1		40.00		
094	628393-9	FIELD		1				
095	819390-8	CLEAR LABEL		1		7.00		
096	853M36-4	HR2650 NAME PLATE		1				
097	194074-2	CARBON BRUSH CB-325		1		101.00		
098	266334-3	TAPPING SCREW 4X60		4		9.00		
099	451536-6	MOTOR HOUSING		1		492.00		
100	266556-5	TAPPING SCREW 3X12		2		4.00		
101	632K38-9	BRUSH HOLDER UNIT		1				
102	853M40-3	HR2650 SERIAL NO. LABEL		1				
103	819389-3	CLEAR LABEL		1		9.00		
104	266326-2	TAPPING SCREW 4X18		3		4.00		
105	650626-4	SWITCH TG853TB-1		1		617.00		
106	682566-8	CORD GUARD 10		1		26.00		

