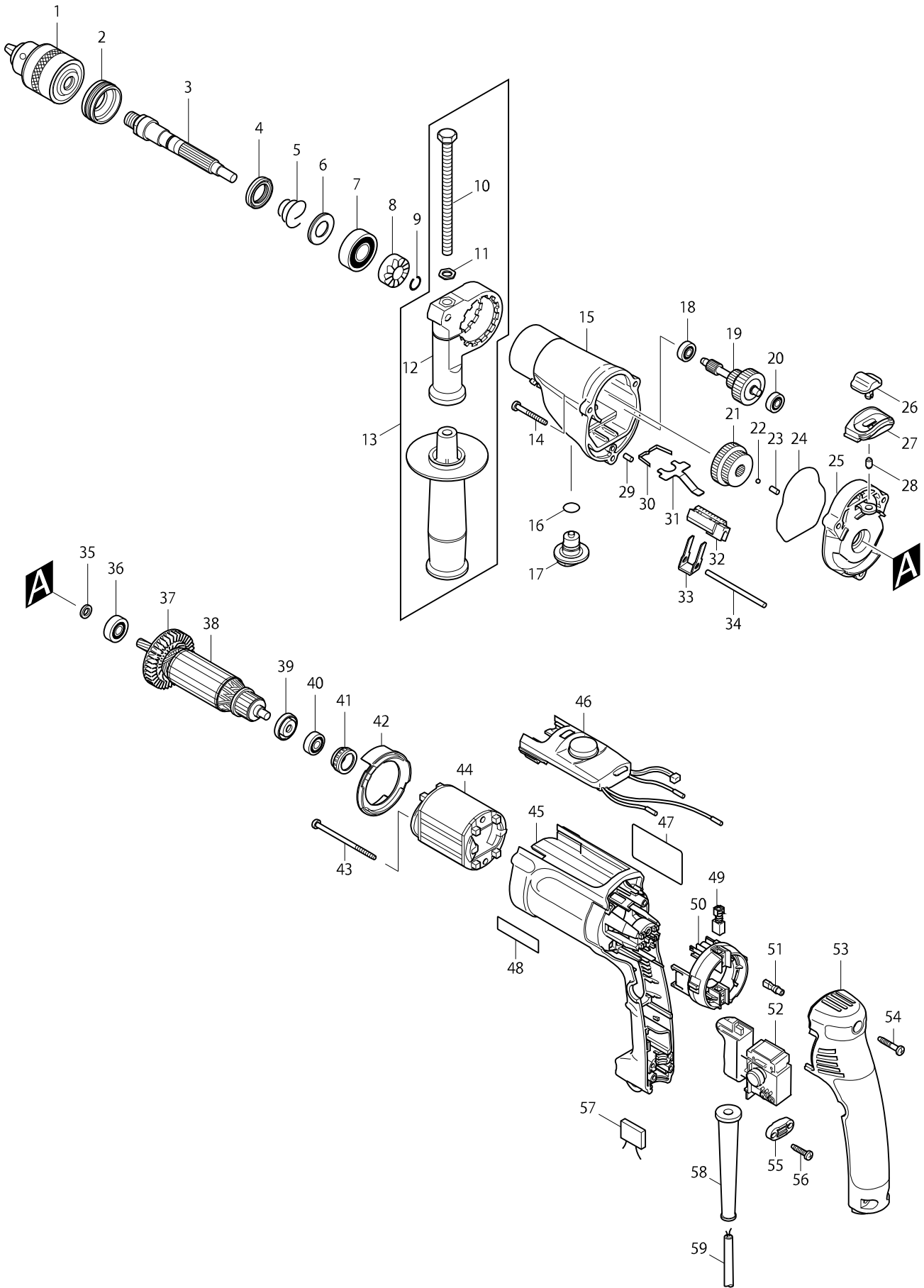


Model No. HP2070 2-SPEED HAMMER DRILL 20MM



Model No. HP2070 2-SPEED HAMMER DRILL 20MM

Item	Parts No.	Description	I/C	QTY	N/O	Opt. 1	Opt. 2	NOTE
001	192877-8	DRILL CHUCK S13		1				
002	285839-4	BEARING RETAINER		1				
003	324247-5	SPINDLE		1				
004	213314-0	OIL SEAL 19		1				
005	233921-3	CONICAL COMPRESSION SPRING		1				
006	345224-4	CUP WASHER 15		1				
007	211206-7	BALL BEARING 6202LLB		1				
008	223141-7	CAM A		1				
009	233920-5	RING SPRING 11		1				
010	921923-8	HEX. BOLT M8X120		1				
011	345280-4	HEX. WASHER		1				
012	417630-4	GRIP BASE		1				
013-1	135302-6	GRIP 36 ASS'Y		1				
D10		INC. 10-12						
014	266053-1	TAPPING SCREW 4X35		3				
015	153621-8	GEAR HOUSING COMPLETE		1				
016	213122-9	O RING 12		1				
017	417805-5	CHANGE LEVER B		1				
018-1	211012-0	BALL BEARING 606ZZ		1				
019	153622-6	GEAR COMPLETE		1				
020-1	211012-0	BALL BEARING 606ZZ		1				
021-1	227119-2	SPUR GEAR 29-37		1				
022	216001-0	STEEL BALL 3.5		1				
023	256251-5	PIN 4		1				
024	421810-6	SEAL RING		1				
025	153620-0	GEAR HOUSING COVER COMPLETE		1				
026	418083-0	CHANGE LEVER A		1				
027	417802-1	LEVER CASE		1				
028	263002-9	RUBBER PIN 4		1				
029	256251-5	PIN 4		1				
030	232143-2	LEAF SPRING		1				
031	345225-2	LOCK PLATE		1				
032	417804-7	RACK 12		1				
033	345223-6	CHANGE PLATE B		1				
034	268092-7	PIN 4		1				
035	262087-2	RING 8		1				
036	210005-4	BALL BEARING 608DDW		1				
037	240065-2	FAN 52		1				
038	517464-6	ARMATURE ASS'Y 220-240V		1				
D10		INC. 35-37,39,40						
039	681636-0	INSULATION WASHER		1				
040	211021-9	BALL BEARING 607LLB		1				
041	421494-0	RUBBER RING 19		1				
042	418269-6	BAFFLE PLATE		1				
043	266004-4	TAPPING SCREW 4X70		2				
044	633573-4	FIELD 220-240V		1				
045	183657-3	MOTOR HOUSING		1				
D10		INC. 48						

