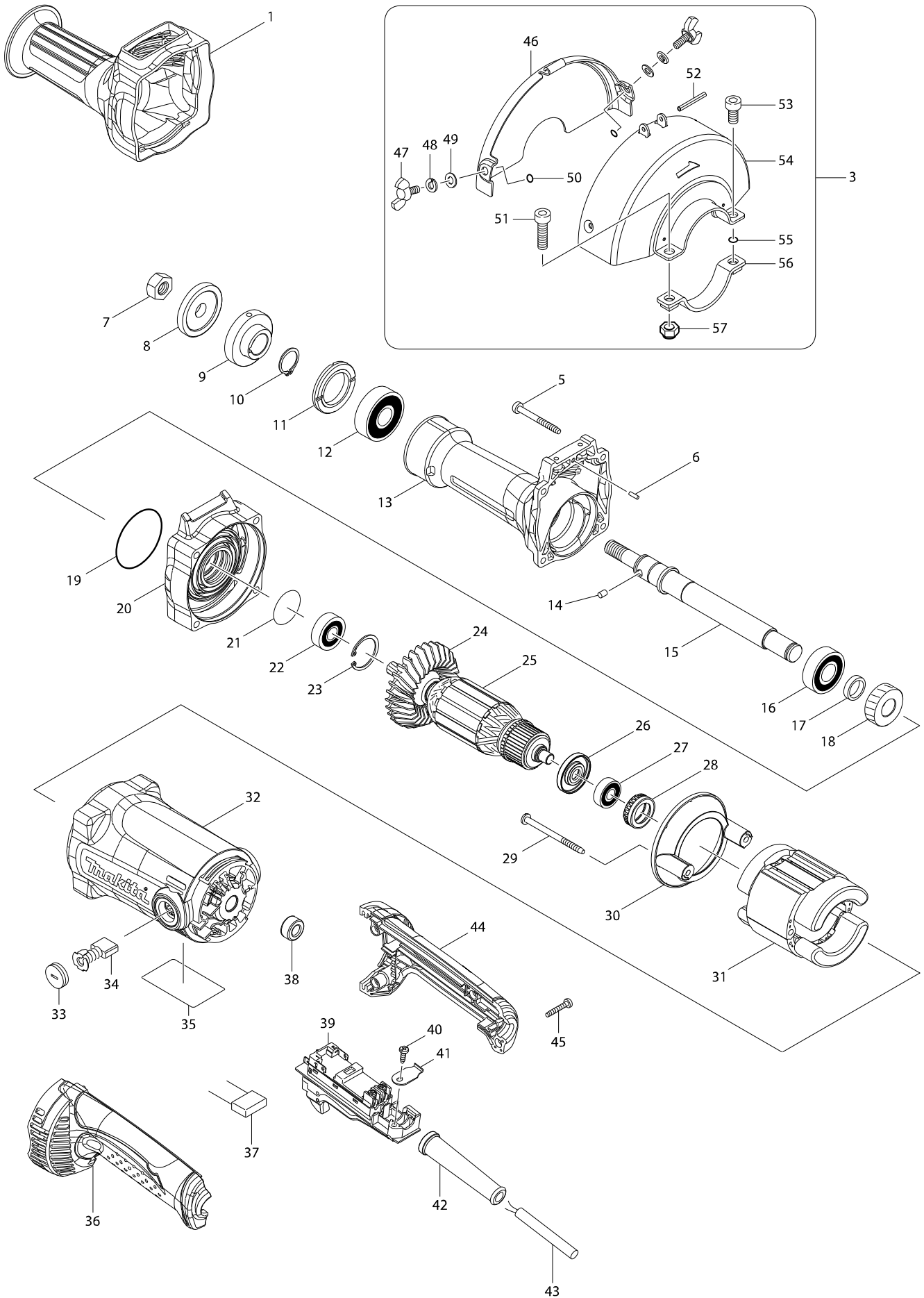


Model No. GS6000 150MM STRAIGHT GRINDER



Model No. GS6000 150MM STRAIGHT GRINDER

Item	Parts No.	Description	I/C	QTY	N/O	Opt. 1	Opt. 2	NOTE
001	424549-0	INSULATION COVER		1				
002	922422-3	HEX. SOCKET HEAD BOLT M8X16		2				
003	165716-5	WHEEL COVER 150		1				
004	346656-8	TIGHT BAND		1				
005	266046-8	TAPPING SCREW 5X50		4				
006	256180-2	PIN 3		1				
007	252007-4	HEX. NUT W1/2-21		1				
008	224019-7	OUTER FLANGE 50		1				
009	224457-3	INNER FLANGE 50		1				
010	961060-6	RETAINING RING S-20		1				
011	285824-7	BEARING RETAINER 31-48		1				
012	211306-3	BALL BEARING 6204LLB		1				
013	318961-3	GEAR HOUSING		1				
014	268161-4	PIN 5		1				
015	326251-0	SPINDLE B		1				
016	211256-2	BALL BEARING 6203LLB		1				
017	257253-4	RING 17		1				
018	227766-9	HELICAL GEAR 47		1				
019	213656-2	O RING 53		1				
020	318962-1	GEAR HOUSING COVER		1				
021	213487-9	O RING 31		1				
022	211129-9	BALL BEARING 6201DDW		1				
023	962151-6	RETAINING RING R-32		1				
024	240143-8	FAN 80		1				
025	517889-4	ARMATURE ASS'Y 240V		1				
D10		INC. 24,26,27						
026	681657-2	INSULATION WASHER		1				
027	210059-1	BALL BEARING 6000DDW		1				
028	421490-8	RUBBER RING 26		1				
029	266038-7	TAPPING SCREW 5X70		2				
030	451480-7	BAFFLE PLATE		1				
031	523424-8	FIELD ASSY 240V		1				
C10	654098-5	RECEPTACLE		2				
032	140222-1	MOTOR HOUSING COMPLETE		1				
C10	643707-1	BRUSH HOLDER		2				
033	643700-5	BRUSH HOLDER CAP 7-18		2				
034	191957-7	A.C. CARBON BRUSH CB-204		1				
035	814J12-5	GS6000 NAME PLATE		1				
036	188848-1	HANDLE SET		1				
D10		INC. 44						
039	650101-0	SWITCH TG08-1100-011		1				
040	266192-7	TAPPING SCREW 4X14		1				
041	687169-3	STRAIN RELIEF		1				
042	682540-6	CORD GUARD 9.3-90		1				
043	665865-3	POWER SUPPLY CORD 1.0-2-2.5		1				
044	188848-1	HANDLE SET		1				
D10		INC. 36						
045	265999-8	TAPPING SCREW 4X25		4				

