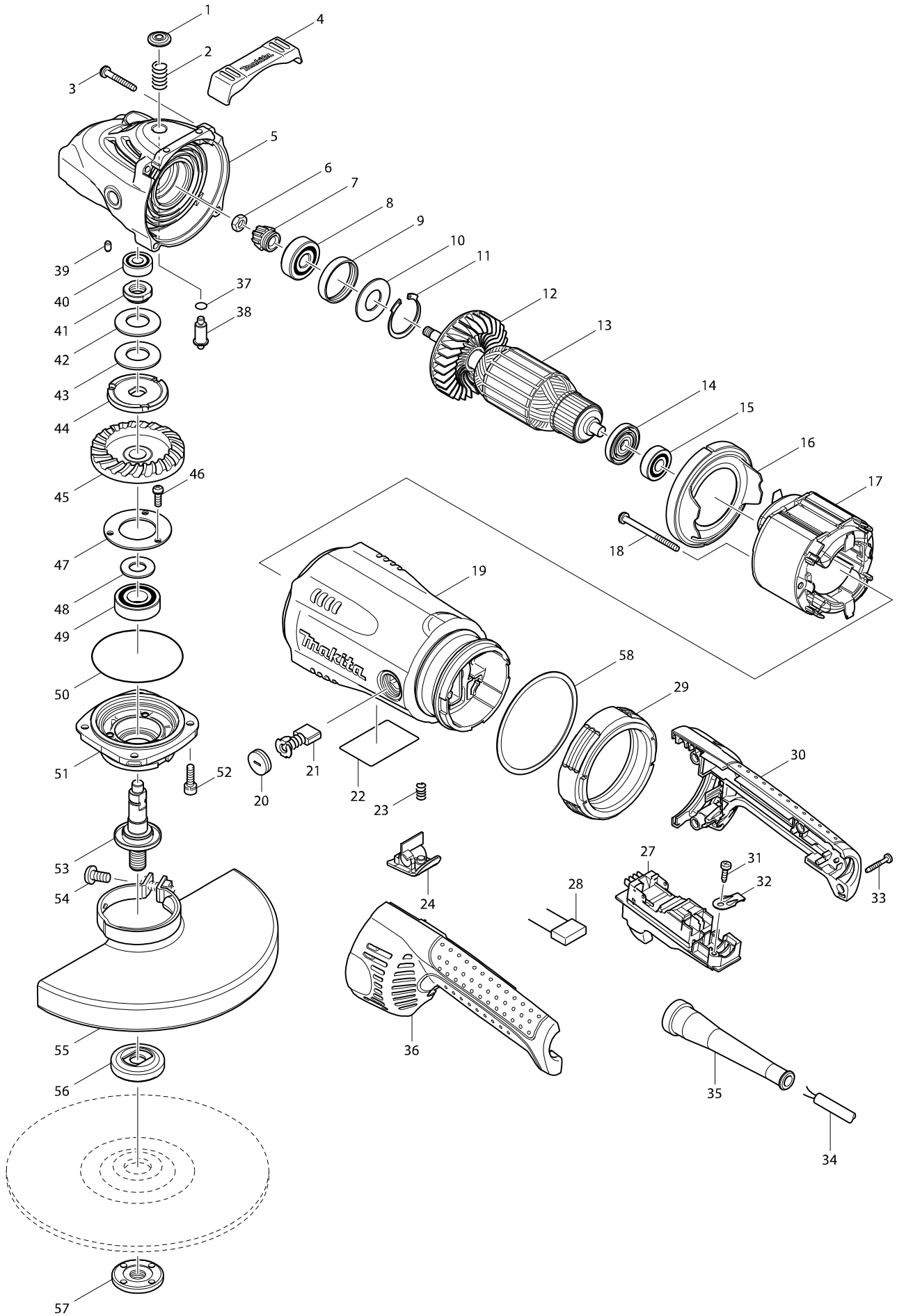


# Model No. GA9030 ANGLE GRINDER 230MM



# Model No. GA9030 ANGLE GRINDER 230MM

Item	Parts No.	Description	I/C	QTY	N/O	Opt. 1	Opt. 2	NOTE
001	419133-4	PIN CAP		1				
002	233292-8	COMPRESSION SPRING 12		1				
003	266012-5	TAPPING SCREW 5X35		4				
004	419144-9	BUMPER		1				
005-2	154685-5	GEAR HOUSING COMPLETE		1	*			
C10	262118-7	FELT RING 18		1	*			
005-3	142754-4	GEAR HOUSING COMPLETE	<	1				
C10	262118-7	FELT RING 18		1				
006	252194-9	HEX. NUT M8		1				
007	227490-4	SPIRAL BEVEL GEAR 12		1				
008	211132-0	BALL BEARING 6301DDW		1				
009	262085-6	RUBBER RING 38		1				
010	267299-2	FLAT WASHER 20		1				
011	962211-4	RETAINING RING R-42		1				
012	240081-4	FAN 80		1				
013-1	517829-2	ARMATURE ASS'Y 240V		1				
D10		INC. 12,14,15						
014	681630-2	INSULATION WASHER		1				
015-1	211087-9	BALL BEARING 6200DDW		1				
016	419135-0	BAFFLE PLATE		1				
017-1	526193-0	FIELD ASS'Y 220-240V		1				
C10	654197-3	RING TERMINAL		2				
C20	654502-4	CONNECTOR P-2		2				
018	266029-8	TAPPING SCREW 5X65		2				
019	154786-9	MOTOR HOUSING COMPLETE		1				
C10	643712-8	BRUSH HOLDER		2				
020	643700-5	BRUSH HOLDER CAP 7-18		2				
021	191957-7	A.C. CARBON BRUSH CB-204		1				
022	862125-6	GA9030 NAME PLATE		1				
023	233375-4	COMPRESSION SPRING 7		1				
024	419260-7	LOCK BUTTON		1				
027-1	650101-0	SWITCH TG08-1100-011		1				
029	421936-4	VIBRATION PROOF RUBBER		1				
030	188123-5	HANDLE SET		1				
C10	423350-0	SPONGE SHEET		1				
D10		INC. 36						
031	266192-7	TAPPING SCREW 4X14		1				
032	687169-3	STRAIN RELIEF		1				
033	265999-8	TAPPING SCREW 4X25		4				
034	695107-1	POWER SUPPLY CORD 1.5-2-2.5		1				
035	682560-0	CORD GUARD 10		1				
036	188123-5	HANDLE SET		1				
C10	423350-0	SPONGE SHEET		1				
D10		INC. 30						
037	213062-1	O RING 9		1				
038	256491-5	SHOULDER PIN 5		1				
039	263002-9	RUBBER PIN 4		1				
040-1	211061-7	BALL BEARING 6000LLB		1				

