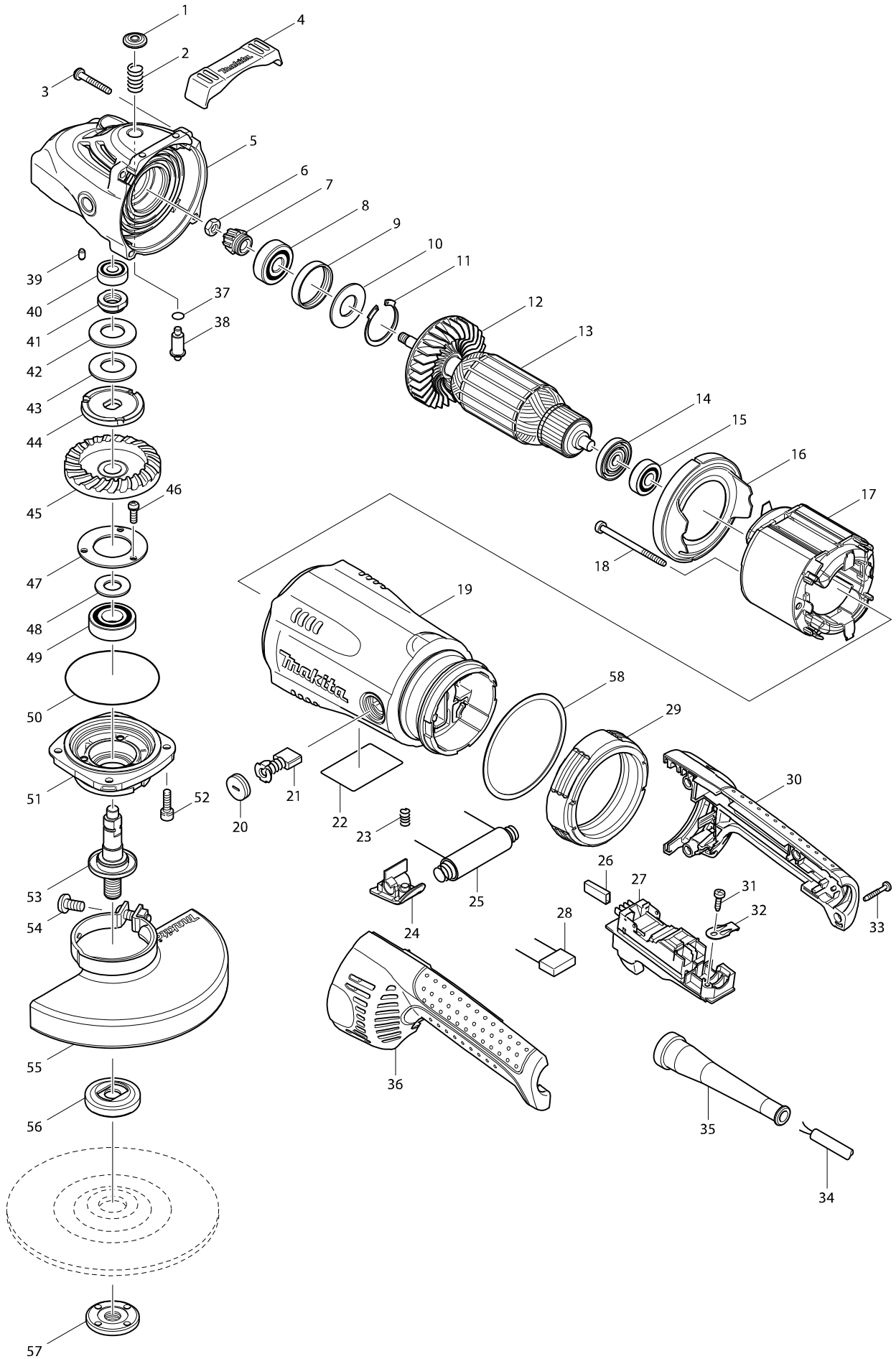


Model No. GA7040S 180MM ANGLE GRINDER



Model No. GA7040S 180MM ANGLE GRINDER

| Item | Parts No. | Description | I/C | QTY | N/O | Opt. 1 | Opt. 2 | NOTE |
|-------|-----------|-----------------------------|-----|-----|-----|--------|--------|------|
| 001 | 419133-4 | PIN CAP | | 1 | | | | |
| 002 | 233292-8 | COMPRESSION SPRING 12 | | 1 | | | | |
| 003 | 266012-5 | TAPPING SCREW 5X35 | | 4 | | | | |
| 004 | 419144-9 | BUMPER | | 1 | | | | |
| 005-2 | 154685-5 | GEAR HOUSING COMPLETE | | 1 | * | | | |
| C10 | 262118-7 | FELT RING 18 | | 1 | * | | | |
| 005-3 | 142754-4 | GEAR HOUSING COMPLETE | < | 1 | | | | |
| C10 | 262118-7 | FELT RING 18 | | 1 | | | | |
| 006 | 252194-9 | HEX. NUT M8 | | 1 | | | | |
| 007 | 227488-1 | SPIRAL BEVEL GEAR 16 | | 1 | | | | |
| 008 | 211132-0 | BALL BEARING 6301DDW | | 1 | | | | |
| 009 | 262085-6 | RUBBER RING 38 | | 1 | | | | |
| 010 | 267299-2 | FLAT WASHER 20 | | 1 | | | | |
| 011 | 962211-4 | RETAINING RING R-42 | | 1 | | | | |
| 012 | 240081-4 | FAN 80 | | 1 | | | | |
| 013-1 | 517834-9 | ARMATURE ASS'Y 240V | | 1 | | | | |
| D10 | | INC. 12,14,15 | | | | | | |
| 014 | 681630-2 | INSULATION WASHER | | 1 | | | | |
| 015-1 | 211087-9 | BALL BEARING 6200DDW | | 1 | | | | |
| 016 | 419135-0 | BAFFLE PLATE | | 1 | | | | |
| 017-1 | 526198-0 | FIELD ASS'Y 220-240V | | 1 | | | | |
| C10 | 654197-3 | RING TERMINAL | | 2 | | | | |
| C20 | 654502-4 | CONNECTOR P-2 | | 2 | | | | |
| 018 | 266059-9 | TAPPING SCREW 5X75 | | 2 | | | | |
| 019 | 154786-9 | MOTOR HOUSING COMPLETE | | 1 | | | | |
| C10 | 643712-8 | BRUSH HOLDER | | 2 | | | | |
| 020 | 643700-5 | BRUSH HOLDER CAP 7-18 | | 2 | | | | |
| 021 | 191957-7 | A.C. CARBON BRUSH CB-204 | | 1 | | | | |
| 022 | 862127-2 | GA7040S NAME PLATE | | 1 | | | | |
| 023 | 233375-4 | COMPRESSION SPRING 7 | | 1 | | | | |
| 024 | 419260-7 | LOCK BUTTON | | 1 | | | | |
| 025-1 | 646788-4 | RESISTOR | | 1 | | | | |
| 026 | 686036-9 | RECEPTACLE SLEEVE | | 2 | | | | |
| 027 | 651181-9 | SWITCH 1362.0114 | | 1 | | | | |
| 029 | 421936-4 | VIBRATION PROOF RUBBER | | 1 | | | | |
| 030 | 188123-5 | HANDLE SET | | 1 | | | | |
| C10 | 423350-0 | SPONGE SHEET | | 1 | | | | |
| D10 | | INC. 36 | | | | | | |
| 031 | 266192-7 | TAPPING SCREW 4X14 | | 1 | | | | |
| 032 | 687169-3 | STRAIN RELIEF | | 1 | | | | |
| 033 | 265999-8 | TAPPING SCREW 4X25 | | 4 | | | | |
| 034 | 665630-0 | POWER SUPPLY CORD 1.5-2-2.5 | | 1 | * | | | |
| 034-1 | 695107-1 | POWER SUPPLY CORD 1.5-2-2.5 | O | 1 | | | | |
| 035 | 682560-0 | CORD GUARD 10 | | 1 | | | | |
| 036 | 188123-5 | HANDLE SET | | 1 | | | | |
| C10 | 423350-0 | SPONGE SHEET | | 1 | | | | |
| D10 | | INC. 30 | | | | | | |
| 037 | 213062-1 | O RING 9 | | 1 | | | | |

