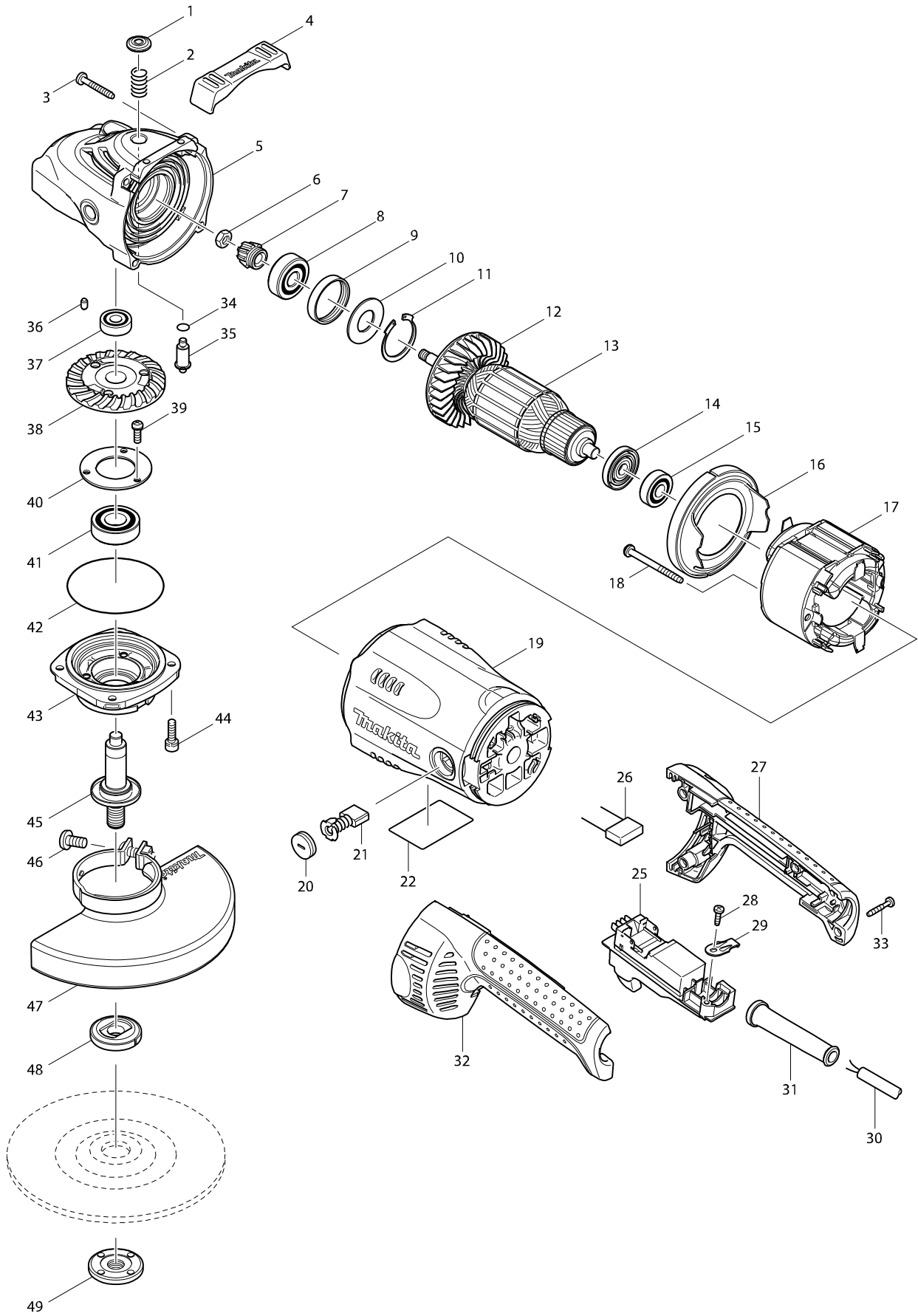


Model No. GA7020 ANGLE GRINDER 180MM



Model No. GA7020 ANGLE GRINDER 180MM

Item	Parts No.	Description	I/C	QTY	N/O	Opt. 1	Opt. 2	NOTE
001-2	419133-4	PIN CAP		1				
002	233292-8	COMPRESSION SPRING 12		1				
003	266373-3	TAPPING SCREW 5X35		4				
004	419144-9	BUMPER		1				
005A	154685-5	GEAR HOUSING COMPLETE		1	*			
C10	262118-7	FELT RING 18		1	*			
005-1A	154685-5	GEAR HOUSING COMPLETE	O	1	*			
C10	262118-7	FELT RING 18		1	*			
C20	419134-2	LABYRINTH PLATE		1	*			
005-2A	154685-5	GEAR HOUSING COMPLETE	O	1	*			
C10	262118-7	FELT RING 18		1	*			
005-3A	142754-4	GEAR HOUSING COMPLETE	<	1				
C10	262118-7	FELT RING 18		1				
005-3L	142754-4	GEAR HOUSING COMPLETE		1				
C10	262118-7	FELT RING 18		1				
006	252194-9	HEX. NUT M8		1				
007	227488-1	SPIRAL BEVEL GEAR 16		1				
008	211132-0	BALL BEARING 6301DDW		1				
009	262085-6	RUBBER RING 38		1				
010	267299-2	FLAT WASHER 20		1				
011	962211-4	RETAINING RING R-42		1				
012	240081-4	FAN 80		1				
013A	516944-9	ARMATURE ASS'Y 240V		1	*			
D10		INC. 12,14,15			*			
013-1A	517794-5	ARMATURE ASS'Y 240V	<	1	*			
D10		INC. 12,14,15			*			
013-2A	510127-3	ARMATURE ASS'Y 240V	O	1				
D10		INC. 12,14,15						
013-2L	517790-3	ARMATURE ASS'Y 100-115V		1				
D10		INC. 12,14,15						
014	681630-2	INSULATION WASHER		1				
015A	210075-3	BALL BEARING 6200DDW		1	*			
015-1A	211087-9	BALL BEARING 6200DDW	O	1				
015-1L	211087-9	BALL BEARING 6200DDW		1				
016	419135-0	BAFFLE PLATE		1				
017A	526159-0	FIELD ASS'Y 240V		1	*			
C10	654197-3	RING TERMINAL		2	*			
C20	654502-4	CONNECTOR P-2		2	*			
017-1A	526159-0	FIELD ASS'Y 240V	O	1	*			
C10	654197-3	RING TERMINAL		2	*			
C20	654502-4	CONNECTOR P-2		2	*			
017-2A	526179-4	FIELD ASS'Y 240V	O	1				
C10	654197-3	RING TERMINAL		2				
C20	654502-4	CONNECTOR P-2		2				
017-2L	520071-6	FIELD ASS'Y 115V		1				
C10	654197-3	RING TERMINAL		2				
C20	654502-4	CONNECTOR P-2		2				
018A	266329-6	TAPPING SCREW 5X60		2	*			

Model No. GA7020 ANGLE GRINDER 180MM

Item	Parts No.	Description	I/C	QTY	N/O	Opt. 1	Opt. 2	NOTE
018-1A	266044-2	TAPPING SCREW 5X60	O	2				
018-1L	266044-2	TAPPING SCREW 5X60		2				
019	154671-6	MOTOR HOUSING COMPLETE		1				
C10	643712-8	BRUSH HOLDER		2				
020	643700-5	BRUSH HOLDER CAP 7-18		2				
021	191957-7	A.C. CARBON BRUSH CB-204		1				
022	861760-7	GA7020 NAME PLATE		1				
025A	651176-2	SWITCH 1267.4109		1	*			
025-1A	650101-0	SWITCH TG08-1100-011	O	1				
025-1L	650101-0	SWITCH TG08-1100-011		1				
027	188059-8	HANDLE SET		1				
C10	423350-0	SPONGE SHEET		1				
D10		INC. 32						
028	266385-6	TAPPING SCREW 4X14		1				
029A	687169-3	STRAIN RELIEF		1				
029L	687678-2	STRAIN RELIEF		1				
030A	695107-1	POWER SUPPLY CORD 1.5-2-2.5		1				
030L	665550-8	POWER SUPPLY CORD 2.5-2-2.5		1				
031A	682560-0	CORD GUARD 10		1				
031L	682561-8	CORD GUARD 11.5		1				
032	188059-8	HANDLE SET		1				
C10	423350-0	SPONGE SHEET		1				
D10		INC. 27						
033	266374-1	TAPPING SCREW 4X25		4				
034	213062-1	O RING 9		1				
035-2	256491-5	SHOULDER PIN 5		1				
036	263002-9	RUBBER PIN 4		1				
037A	210067-2	BALL BEARING 6000ZZ		1	*			
037-1A	211062-5	BALL BEARING 6000ZZ	O	1				
037-1L	211062-5	BALL BEARING 6000ZZ		1				
038	227489-9	SPIRAL BEVEL GEAR 53 B		1				
039	265120-9	PAN HEAD SCREW M5X16		3				
040	285724-1	BEARING RETAINER 50		1				
041A	211285-5	BALL BEARING 6203DDW		1	*			
041-1A	211278-2	BALL BEARING 6203DDW	O	1				
041-1L	211278-2	BALL BEARING 6203DDW		1				
042	213760-7	O RING 78		1				
043	317988-0	BEARING BOX		1				
044	265541-5	HEX. SOCKET HEAD BOLT M6X22		4				
045-1	158206-5	SPINDLE COMPLETE		1				
C10	345629-8	LABYRINTH RING 25		1				
046	265158-4	+PAN HEAD SCREW M8X25		1				
047	154674-0	WHEEL COVER 180 COMPLETE		1				
D10		INC. 46						
048-1	224415-9	INNER FLANGE 42		1				
049	224543-0	LOCK NUT 14-45		1				
050A	233946-7	RING SPRING 15		1				
050L	233946-7	RING SPRING 15		1				

