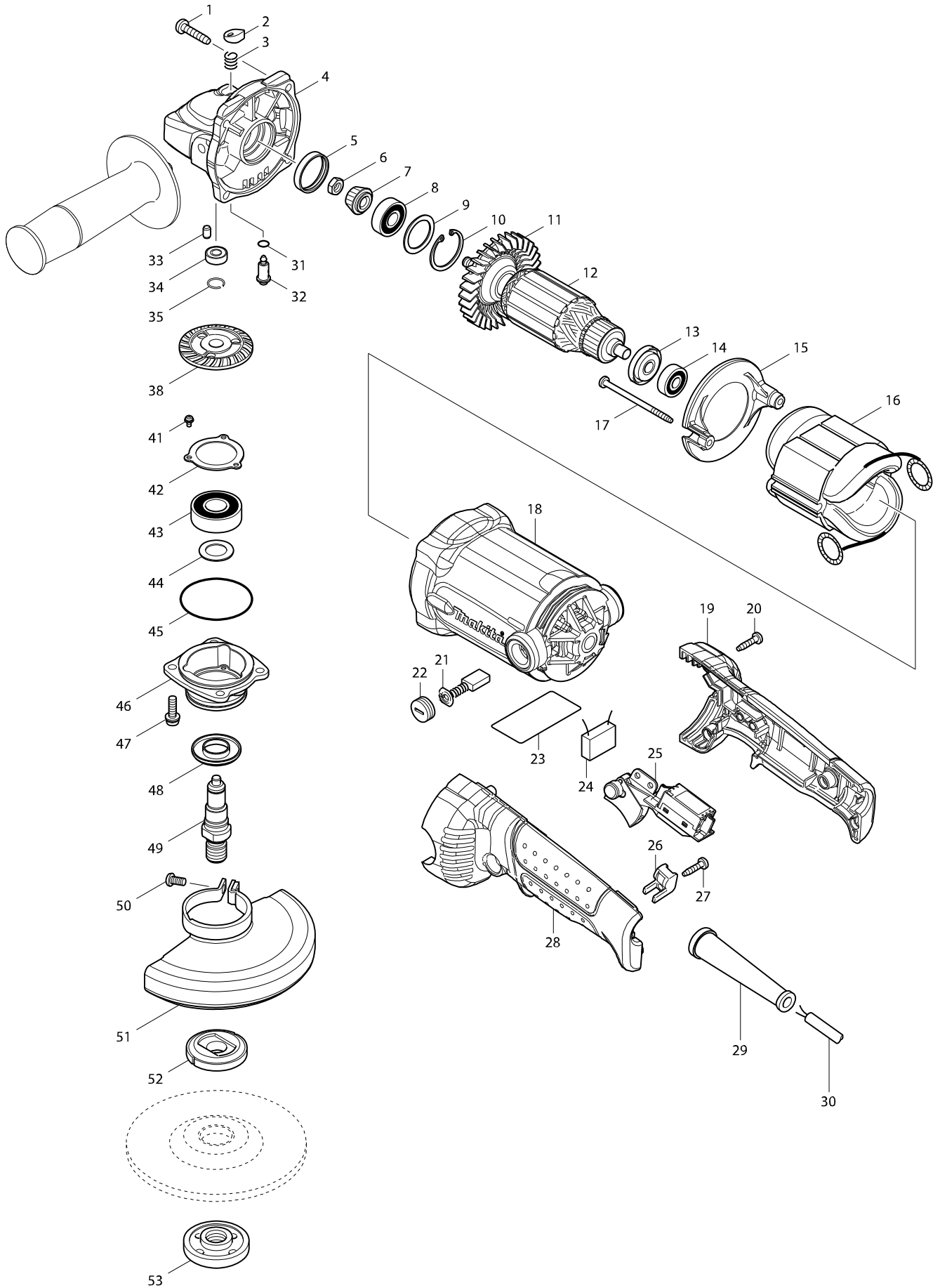


Model No. GA5010 ANGLE GRINDER 125MM



Model No. GA5010 ANGLE GRINDER 125MM

Item	Parts No.	Description	I/C	QTY	N/O	Opt. 1	Opt. 2	NOTE
001A	266041-8	TAPPING SCREW 5X25		4	*			
001-1A	266459-3	TAPPING SCREW 5X25	O	4				
001-1L	266459-3	TAPPING SCREW 5X25		4				
002	417771-6	PIN CAP		1				
003-1	234057-1	COMPRESSION SPRING 8		1				
004	318158-4	GEAR HOUSING		1				
005	262132-3	RUBBER RING 27		1				
006	264010-3	HEX.NUT M7		1				
007	227517-0	SPIRAL BEVEL GEAR 13		1				
008A	211088-7	BALL BEARING 6000DDW		1	*			
008-1A	210059-1	BALL BEARING 6000DDW	<	1				
008-1L	210059-1	BALL BEARING 6000DDW		1				
009	267352-4	FLAT WASHER 22		1				
010	962107-9	RETAINING RING (INT) R-30		1				
011	240094-5	FAN 70		1				
012A	513704-0	ARMATURE ASS'Y 240V		1	*			
D10		INC. 11,13,14			*			
012-1A	510132-0	ARMATURE ASS'Y 240V	O	1				
D10		INC. 11,13,14						
012-1L	510130-4	ARMATURE ASS'Y 115V		1				
D10		INC. 11,13,14						
013	681644-1	INSULATION WASHER		1				
014A	210044-4	BALL BEARING 608DDW		1	*			
014-1A	210005-4	BALL BEARING 608DDW	O	1				
014-1L	210005-4	BALL BEARING 608DDW		1				
015	419961-7	BAFFLE PLATE		1				
C10	654020-2	RING TERMINAL		2				
C20	654501-6	CONNECTOR P-1.25		2				
016A	525768-2	FIELD ASS'Y 220-240V		1				
016L	528808-5	FIELD ASS'Y 115V		1				
017	266340-8	TAPPING SCREW 4X65		2				
018	158278-0	MOTOR HOUSING COMPLETE		1				
C10	643708-9	BRUSH HOLDER 5-11		2				
019	188291-4	HANDLE SET		1				
D10		INC. 28						
020	266326-2	TAPPING SCREW 4X18		4				
021	191963-2	CARBON BRUSH CB-303		1				
022	643750-0	BRUSH HOLDER CAP 7-11		2				
023	863595-2	GA5010 NAME PLATE		1				
025	651193-2	SWITCH TG933TR-1		1				
026	687260-7	STRAIN RELIEF		1				
027	266326-2	TAPPING SCREW 4X18		1				
028	188291-4	HANDLE SET		1				
D10		INC. 19						
029	682503-2	CORD GUARD 8-90		1				
030	666066-6	POWER SUPPLY CORD 1.0-2-2.5		1				
031	213977-2	O RING 7		1				
032	256505-0	SHOULDER PIN 5		1				

