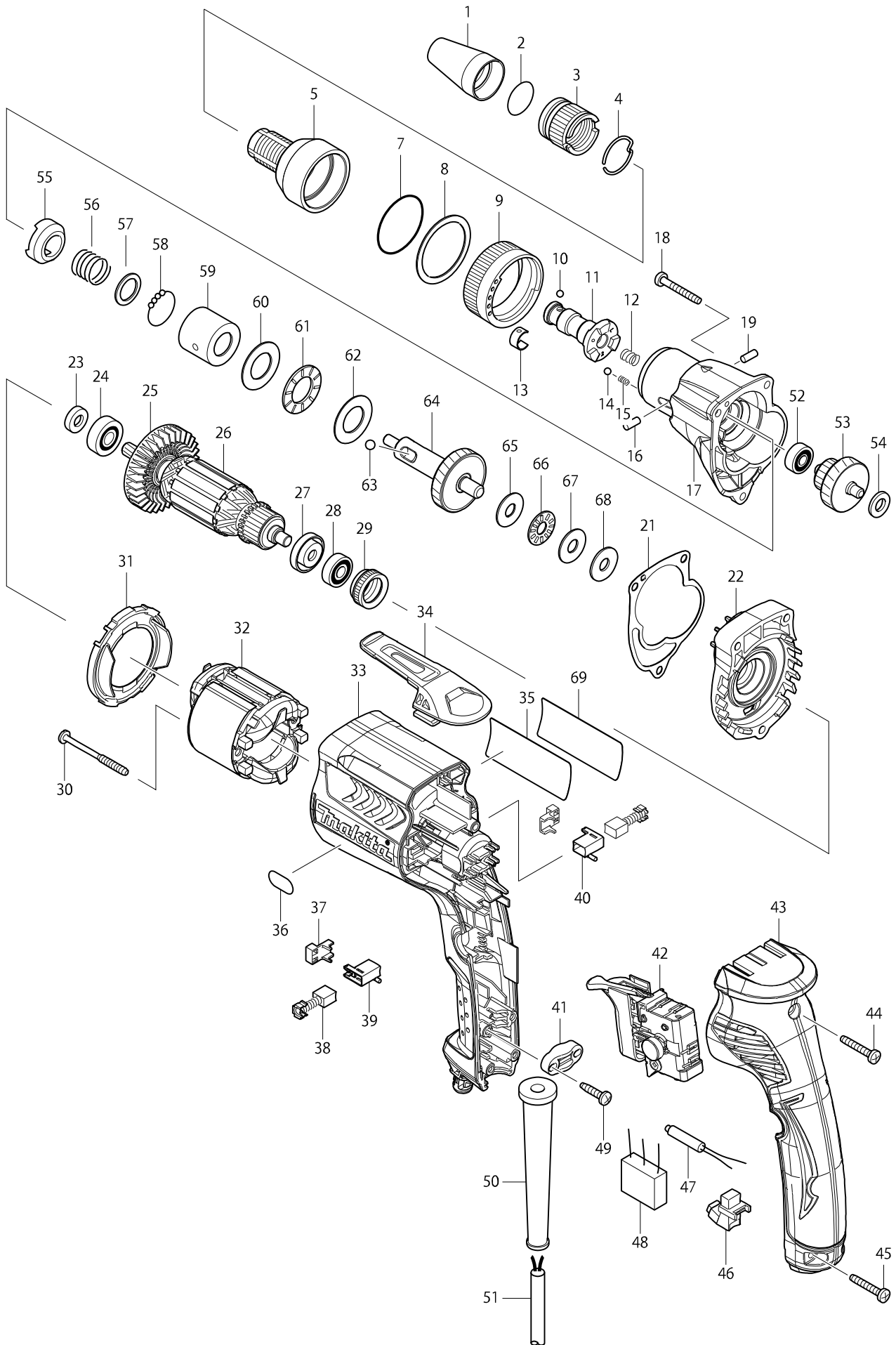


Model No. FS2700 SCREW DRIVER



Model No. FS2700 SCREW DRIVER

Item	Parts No.	Description	I/C	QTY	N/O	Opt. 1	Opt. 2	NOTE
001	322070-2	FRONT CAP 12		1				
002	213310-8	O RING 20		1				
003	322073-6	ADJUST SLEEVE		1				
004	231940-3	RING SPRING 22		1				
005	168552-8	CLUTCH COVER A COMPLETE		1				
C10	313166-0	BRAKE RING		1				
007	213343-3	O RING 35		1				
008	253806-7	FLAT WASHER 36		1				
009	152841-1	RING 36 COMPLETE		1				
010	216001-0	STEEL BALL 3.5		1				
011	325606-6	SPINDLE 270D		1				
012	234095-3	COMPRESSION SPRING 6		1				
013	232050-9	LEAF SPRING		1				
014	216008-6	STEEL BALL 4		1				
015	233314-4	COMPRESSION SPRING 4		1				
016	268075-7	PIN 4		1				
017	318387-9	GEAR HOUSING TC		1				
018	266361-0	TAPPING SCREW 4X30		3				
019	268075-7	PIN 4		1				
021	442149-4	GASKET		1				
022	158982-1	GEAR HOUSING COVER COMPLETE		1				
023	451099-2	RING 7		1				
024	210007-0	BALL BEARING 608VV		1				
025	240083-0	FAN 52		1				
026	515764-8	ARMATURE ASSEMBLY 240V		1				
D10		INC. 23-25,27,28						
027	681636-0	INSULATION WASHER		1				
028	210062-2	BALL BEARING 607ZZ		1				
029	421868-5	LABYRINTH RUBBER RING 19		1				
030	266467-4	TAPPING SCREW 4X50		2				
031	450880-8	BAFFLE PLATE		1				
032	633693-4	FIELD 220-240V		1				
033	450878-5	MOTOR HOUSING L		1				
034	162272-6	HOOK		1				
035	867048-3	FS2700 NAME PLATE		1				
036	808574-3	INDICATION LABEL		1				
037	689111-0	SPACER		2				
038	191962-4	CARBON BRUSH CB-419		1				
039	643952-8	BRUSH HOLDER		1				
040	643953-6	BRUSH HOLDER		1				
041	687123-7	STRAIN RELIEF		1				
042	650614-1	SWITCH		1				
043	158878-6	HANDLE COVER L COMPLETE		1				
C10	263002-9	RUBBER PIN 4		2				
044	266374-1	TAPPING SCREW 4X25		1				
045	266374-1	TAPPING SCREW 4X25		2				
046-1	631939-2	LIGHT CIRCUIT		1				
049	265995-6	TAPPING SCREW 4X18		2				

