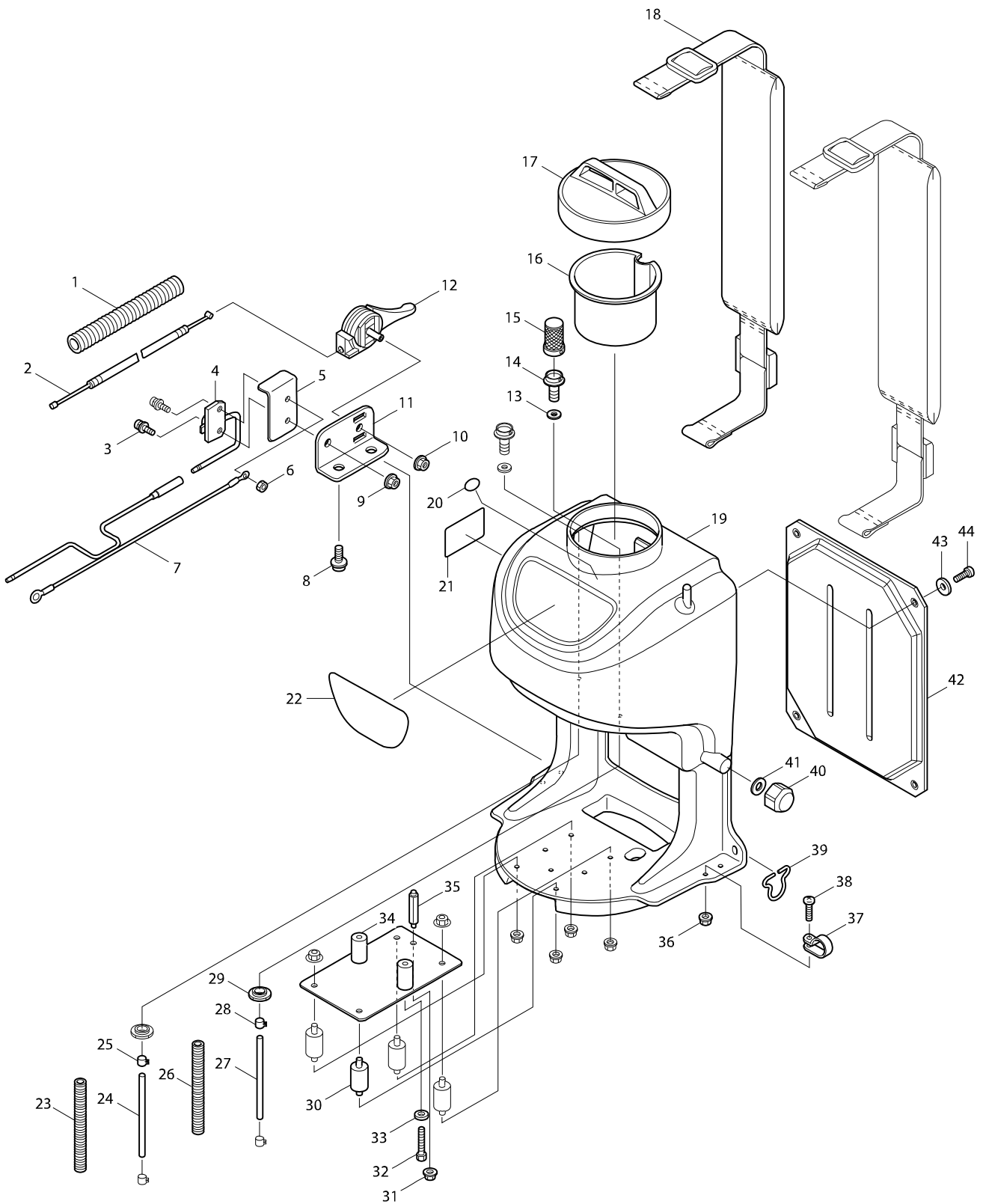


Model No. EVH2000 PETROL SPRAYER



Model No. EVH2000 PETROL SPRAYER

Item	Parts No.	Description	I/C	QTY	N/O	Opt. 1	Opt. 2	NOTE
001	6908502400	TUBE,CABLE		1				
002	0630039751	CONTROL CABLE		1				
003	0140049770	SCREW ASSY M4X16(W,SW)		2	*			
003-1	922128-3	HEX. SOCKET HEAD BOLT M4X16	O	2				
004	0662009650	STOP SWITCH		1	*			
004-1	0660000371	SWITCH ASSY	O	1	*			
004-2	123573-7	SWITCH ASSEMBLY	O	1				
005	6906507500	PLATE, SWITCH		1				
006	0170049990	NUT M4		1				
007	6906503600	WIRE		1				
008	0140059310	SCREW M5X14(W)		2				
009	0023704000	FLANGE NUT M4		1				
010	0023705000	FLANGE NUT M5		9				
011	6906505500	PLATE,CONTROL LEVER		1				
012	6945002000	LEVER COMPLETE		1				
013	0213189970	GASKET		2				
014	6986502100	JOINT		2				
015	6974007000	STRAINER SUCTION		1				
016	6904503601	STRAINER, TANK		1				
017	6954015000	CAP COMPLETE		1				
018	6909070000	BAND COMPLETE		2	*			
018-1	6909070001	BAND COMPLETE	O	2				
019	6904017000	TANK CP		1	*			
019-1	6904017002	TANK COMPL	O	1				
020	5929505400	LABEL		1				
021	6909539700	LABEL,CAUTION		1				
022	6909538900	LABEL,TANK		1				
023	6908502602	TUBE,CABLE		1				
024	0851289950	TUBE		1				
025	0561149980	HOSE CLAMP		2				
026	6908502501	TUBE,CABLE		1				
027	0851389980	TUBE		1				
028	0561159960	HOSE,CLAMP		2				
029	6974500600	NUT,SUCTION		2				
030	6906504301	DAMPER(1)COMPLETE		4				
031	0023706000	FLANGE NUT M6		1	*			
031-1	264092-5	FLANGE NUT M6	O	1				
032	0011005400	BOLT AY M5X40		2				
033	0031205000	WASHER		2				
034	6906507301	PLATE		1				
035	6901504301	BOLT		1				
036	0023704000	FLANGE NUT M4		1				
037	0561159970	HOSE CLAMP		1				
038	0043604203	SCREW ASSEMBLY M4X20		1				
039	6904507500	HOOK		2				
040	6824505200	CAP		1	*			
040-1	453615-6	CAP	O	1				
041	6904500300	GASKET, BLIND		1				

Model No. EVH2000 PETROL SPRAYER

Item	Parts No.	Description	I/C	QTY	N/O	Opt. 1	Opt. 2	NOTE
042	6904507400	CUSHION		1				
043	0031205000	WASHER		4				
044	0140059980	SCREW M5X10		4	*			
044-1	0043605120	SCREW ASS'Y M5X12	O	4				
045	10266100MS	ELBOW		1	*			
045-1	MR00102661	ELBOW	O	1				
046	10846000MS	PLUG		1	*			
046-1	MR00108460	PLUG	O	1				
047	01417500MS	O RING		4	*			
047-1	MR00014175	O RING	O	4				
048	10055400MS	PIPE		2	*			
048-1	MR00100554	PIPE	O	2				
049	12183200MS	CRANK CASE AY		1	*			
049-1	MR00121832	CRANK CASE AY	O	1	*			
049-2	MR00121831	CRANK CASE AY	O	1				
050	08123800MS	NUT M5		12	*			
050-1	MR00081238	NUT M5	O	12				
051	10268300MS	OIL SEAL		2	*			
051-1	MR00102683	OIL SEAL	O	2				
052	10619000MS	COLLER		2	*			
052-1	MR00106190	COLLAR	O	2				
053	11225200MS	SEAL PACKING		2	*			
053-1	MR00112252	SEAL PACKING	O	2				
054	10235800MS	SEAL HOLDER		2	*			
054-1	MR00102358	SEAL HOLDER	O	2				
055	01397700MS	O RING		2	*			
055-1	MR00013977	O RING	O	2				
056	04342600MS	SUCTION VALVE		2	*			
056-1	MR00043426	SUCTION VALVE	O	2				
057	10044100MS	PISTON PACKING AY		2	*			
057-1	MR00100441	PISTON PACKING AY	O	2				
058	02335700MS	SUCTION VALVE COLLER		2	*			
058-1	MR00023357	SUCTION VALVE COLLAR	O	2				
059	02202300MS	SUCTION VALVE STOPPER		2	*			
059-1	MR00022023	SUCTION VALVE STOPPER	O	2				
060	01584800MS	SPRING WASHER M5		2	*			
060-1	MR00015848	SPRING WASHER M5	O	2				
061	11835700MS	BOLT M5X45X22		2	*			
061-1	MR00118357	BOLT M5X45X22	O	2				
062	10313000MS	CYLINDER PIPE		2	*			
062-1	MR00103130	CYLINDER PIPE	O	2				
063	02317200MS	O RING		2	*			
063-1	MR00023172	O RING	O	2				
064	11801800MS	VALVE SEAT		2	*			
064-1	MR00118018	VALVE SEAT	O	2				
065	10357500MS	O RING		2	*			
065-1	MR00103575	O RING	O	2				
066	04372300MS	VALVE		2	*			

Model No. EVH2000 PETROL SPRAYER

Item	Parts No.	Description	I/C	QTY	N/O	Opt. 1	Opt. 2	NOTE
066-1	MR00043723	VALVE	O	2				
067	04336000MS	COIL SPRING		2	*			
067-1	MR00043360	COIL SPRING	O	2				
068	01398300MS	O RING		2	*			
068-1	MR00013983	O RING	O	2				
069	10312800MS	CYLINDER HEAD A		1	*			
069-1	MR00103128	CYLINDER HEAD A	O	1				
070	12195600MS	SCREW AY M5X32(W,SW)		8	*			
070-1	MR00121956	SCREW AY M5X32(W,SW)	O	8				
071	12117900MS	CORN ROD		1	*			
071-1	MR00121179	CORN ROD	O	1	*			
071-2	XMR0121179	CORN ROD	O	1				
072	11805500MS	SLEEVE		2	*			
072-1	MR00118055	SLEEVE	O	2				
073	02154900MS	O RING		2	*			
073-1	MR00021549	O RING	O	2				
074	81603600MS	SCREW AY M5X60(W,SW)		4	*			
074-1	MR00816036	SCREW AY M5X60(W,SW)	O	4				
075	08103900MS	NUT M8		1	*			
075-1	MR00081039	NUT M8	O	1	*			
075-2	MR00126521	NUT M8	O	1				
076	01406500MS	WASHER M8		1	*			
076-1	MR00014065	WASHER M8	O	1	*			
076-2	MR00127216	WASHER M8	O	1				
077	10719800MS	CAM HANDLE		1	*			
077-1	MR00107198	CAM HANDLE	O	1				
078	10327000MS	COLLER		1	*			
078-1	MR00103270	COLLAR	O	1	*			
078-2	MR00127225	COLLAR	O	1				
079	02001200MS	WASHER		1	*			
079-1	MR00020012	WASHER	O	1	*			
079-2	MR00127217	WASHER	O	1				
080	10313200MS	SPRING CASE		1	*			
080-1	MR00103132	SPRING CASE	O	1				
081	12161800MS	SPRING HOLDER		1	*			
081-1	MR00121618	SPRING HOLDER	O	1				
082	01168200MS	O RING		1	*			
082-1	MR00011682	O RING	O	1				
083	10375900MS	SPRING		1	*			
083-1	MR00103759	SPRING	O	1				
084	12161900MS	VALVE		1	*			
084-1	MR00121619	VALVE	O	1				
085	01134600MS	O RING		1	*			
085-1	MR00011346	O RING	O	1				
086	10374600MS	VALVE SEAT		1	*			
086-1	MR00103746	VALVE SEAT	O	1				
087	01134300MS	O RING		1	*			
087-1	MR00011343	O RING	O	1				

Model No. EVH2000 PETROL SPRAYER

Item	Parts No.	Description	I/C	QTY	N/O	Opt. 1	Opt. 2	NOTE
088	10263400MS	CYLINDER HEAD B		1	*			
088-1	MR00102634	CYLINDER HEAD B	O	1				
089	11808500MS	BOLT AY M6X55		4	*			
089-1	MR00118085	BOLT AY M6X55	O	4	*			
089-2	MR00127231	BOLT AY M6X55	O	4				
090	11800600MS	BEARING CASE		1	*			
090-1	MR00118006	BEARING CASE	O	1				
091	10268000MS	BEARING		1	*			
091-1	MR00102680	BEARING	O	1				
092	12201300MS	MISSION UNIT		1	*			
092-1	MR00122013	MISSION UNIT	O	1				
093	0011606160	BOLT M6X16		4				
094	5923501300	SPRING RETAINER		2	*			
094-1	325668-4	SPRING RETAINER	O	2				
095	5923501200	VALVE SPRING		2	*			
095-1	234108-0	COMPRESSION SPRING 9	O	2				
096	5933500100	ROCKER SHAFT		1	*			
096-1	256200-2	PIN 5	O	1				
097	5923501500	INTAKE VALVE		1	*			
097-1	325670-7	INTAKE VALVE	O	1	*			
097-2	326367-1	INTAKE VALVE	O	1				
098	5923501400	EXHAUST VALVE		1	*			
098-1	325669-2	EXHAUST VALVE	O	1	*			
098-2	326366-3	EXHAUST VALVE	O	1				
099	5933003000	CAM GEAR ASS'Y		1	*			
099-1	125552-1	CAM GEAR ASSEMBLY	O	1				
100	5923500501	CAM GEAR SHAFT		1	*			
100-1	268238-5	PIN 5	O	1				
101	5923500001	CAM LIFTER		2	*			
101-1	313169-4	CAM LIFTER	O	2				
102	5923500600	CAM LIFTER SHAFT		1	*			
102-1	268239-3	PIN 4	O	1				
103	5923500700	PUSH ROD		2	*			
103-1	256865-0	ROD 2.5	O	2				
104	5933002000	ROCKER ARM ASS'Y		2	*			
104-1	125554-7	ROCKER ARM ASSEMBLY	O	2				
105	5927500000	PLUG COVER		1	*			
105-1	450568-0	PLUG COVER	O	1				
106	5925500800	CYLINDER COVER		1				
107	0566059980	CLAMP		1	*			
107-1	345963-6	CLAMP	O	1				
108	0140059370	SCREW ASS'Y M5X12		2	*			
108-1	266808-4	P.H.SCREW M5X12 WITH WR	O	2				
109	0140049770	SCREW ASSY M4X16(W,SW)		2				
110	0119059520	SOCKET HEAD BOLT M5X40		2	*			
110-1	266440-4	HEX SOCKET HEAD BOLT M5X40	O	2				
111	0140059962	SCREW M5X5		1				
112	5923503400	MUFFLER COVER		1	*			

Model No. EVH2000 PETROL SPRAYER

Item	Parts No.	Description	I/C	QTY	N/O	Opt. 1	Opt. 2	NOTE
112-1	345915-7	MUFFLER COVER	O	1				
113	5923008001	MUFFLER AY		1				
D10		INC.114						
114	5923008011	SPARK ARRESTER		1	*			
114-1	324980-9	SPARK ARRESTER	O	1				
115	5923501601	MUFFLER GASKET		1	*			
115-1	345916-5	MUFFLER GASKET	O	1				
116	0119059531	SOCKET HEAD BOLT M5X16(W,SW)		3	*			
116-1	266813-1	H.S.H.BOLT M5X16 WITH WR	O	3				
117	5921004001	ROCKER COVER COMPLETE		1	*			
117-1	140023-7	ROCKER COVER COMPLETE	O	1				
118	5921500800	ROCKER COVER GASKET		1	*			
118-1	162275-0	ROCKER COVER GASKET	O	1				
119	0650109950	SPARK PLUG CMR6A		1	*			
119-1	168401-9	SPARK PLUG	O	1				
120	5255501100	HOUSING,BLOWER		1				
121	0119059470	SOCKET HEAD BOLT M5X16		3	*			
121-1	266812-3	H.S.H.BOLT M5X16	O	3				
122	5922004000	PISTON RING SET		1	*			
122-1	195145-8	PISTON RING SET	O	1	*			
122-2	196595-0	PISTON RING SET	O	1				
123	5232502600	PISTON PIN		1	*			
123-1	257781-9	PISTON PIN	O	1				
124	5922500900	PISTON		1	*			
124-1	318441-9	PISTON	O	1				
125	0565089970	CLIP		2	*			
125-1	233976-8	CLIP	O	2				
126	0440129960	OIL SEAL (L)		1	*			
126-1	213147-3	OIL SEAL 12	O	1	*			
126-2	213089-1	OIL SEAL 12	<	1				
127	5421500500	CLIP		1	*			
127-1	267400-9	FLAT WASHER 23	O	1				
128	5922003000	CRANK SHAFT ASS'Y		1	*			
128-1	135374-1	CRANKSHAFT ASSEMBLY	O	1	*			
128-2	135539-5	CRANKSHAFT ASSEMBLY	O	1				
129	0440109970	OIL SEAL (S)		1	*			
129-1	213148-1	OIL SEAL 10	O	1	*			
129-2	213769-9	OIL SEAL 10	O	1				
130	5927500100	PLUG CAP		1	*			
130-1	424105-6	PLUG CAP	O	1				
131	0654009931	PLUG CAP SPRING		1	*			
131-1	324891-8	PLUG CAP SPRING	O	1				
133	5257018001	WIRE COMPLETE		1	*			
133-1	638665-4	LEAD UNIT	O	1	*			
133-2	632E39-1	LEAD UNIT	S	1				
134	5927012011	IGNITION COIL		1	*			
134-1	168501-5	IGNITION COIL	O	1	*			
134-2	168816-0	IGNITION COIL	S	1				

Item	Parts No.	Description	I/C	QTY	N/O	Opt. 1	Opt. 2	NOTE
135	0119049970	SOCKET HEAD BOLT M4X20		2				
136	5927001021	FLYWHEEL		1	*			
136-1	318343-9	FLYWHEEL	O	1	*			
136-2	319012-5	FLYWHEEL	O	1				
137	0130069940	BOLT ASSEMBLY M6X16(W,SW)		1	*			
137-1	265577-4	HEX HEAD BOLT M6X16	O	1				
138	5258001010	CLUTCH SPRING		1				
139	6202500600	WASHER		2	*			
139-1	267429-5	FLAT WASHER 6	O	2				
140	5928008010	SHOE,CLUTCH		2				
141	0031008000	WASHER		2				
142	0200089911	WASHER M8		2	*			
142-1	267817-6	WASHER 8	O	2				
143	6252500400	CLUTCH BOLT		2	*			
143-1	266457-7	SHOULDER HEX. BOLT M6X25	O	2				
144	5926500900	GUARD,CASE OIL		2	*			
144-1	424530-1	OIL CASE GUARD	O	2				
145	0119059510	SOCKET HEAD BOLT M5X14		4	*			
145-1	266811-5	H.S.H.BOLT M5X14	O	4				
146	5926500000	OIL CASE		1	*			
146-1	318442-7	OIL CASE	O	1				
147	5926500100	CASE GASKET		1	*			
147-1	162276-8	CASE GASKET	O	1				
148	0119049980	SOCKET HEAD BOLT M4X10		1	*			
148-1	266810-7	H.S.H.BOLT M4X10	<	1				
149	5921501100	RETAINER PLATE		1	*			
149-1	318440-1	RETAINER PLATE	O	1				
150	5921501000	REED VALVE		1	*			
150-1	346083-9	LEAD VALVE	O	1				
151	5921026000	CYLINDER BLOCK SET		1	*			
D10		INC.152,153			*			
151-1	5921045000	CYLINDER BLOCK SET	S	1	*			
D10		INC.152,153			*			
151-2	135562-0	CYLINDER BLOCK ASSEMBLY	O	1				
D10		INC.152,153						
152	5921501400	SPACER		2	*			
152-1	5921501400	SPACER	O	2	*			
152-2	424200-2	SPACER	O	2				
153	0119059510	SOCKET HEAD BOLT M5X14		8	*			
153-1	0119059510	SOCKET HEAD BOLT M5X14	O	8	*			
153-2	266811-5	H.S.H.BOLT M5X14	O	8				
154	5921500700	CAMGEAR COVER GASKET		1	*			
154-1	162274-2	CAM GEAR COVER GASKET	O	1				
155	5921500502	CAMGEAR COVER		1	*			
155-1	318443-5	CAM GEAR COVER	O	1				
156	0043605140	SCREW ASS'Y M5X14		3	*			
156-1	0119059510	SOCKET HEAD BOLT M5X14	O	3	*			
156-2	266811-5	H.S.H.BOLT M5X14	O	3				

Model No. EVH2000 PETROL SPRAYER

Item	Parts No.	Description	I/C	QTY	N/O	Opt. 1	Opt. 2	NOTE
157	5926500600	OIL GAUGE		1	*			
157-1	450565-6	OIL GAUGE	O	1				
158	0213169990	GASKET		1	*			
158-1	424100-6	GASKET	O	1				
159	5925005001	STARTER ASS'Y		1				
D10		INC.160-167						
160	5195002060	SET SCREW		1	*			
160-1	266585-8	TAPPING SCREW 5X12	O	1				
161	5195019020	CAM PLATE		1	*			
161-1	451940-9	CAM PLATE	O	1				
162	5195019030	DAMPER SPRING		1	*			
162-1	233984-9	DAMPER SPRING	O	1				
163	5255050010	REEL		1	*			
163-1	451939-4	REEL	O	1				
164	5215002030	SPIRAL SPRING		1	*			
164-1	232258-5	SPIRAL SPRING	O	1				
165	5225004020	HANDLE		1	*			
165-1	424319-7	STARTER KNOB	O	1				
166	5925006010	STARTER ROPE		1				
167	5925022000	PULLEY		1	*			
167-1	168471-8	PULLEY	O	1				
168	6909539200	LABEL,MODEL		1				
169	0140049770	SCREW ASSY M4X16(W,SW)		2				
170	5236503900	FILTER		1	*			
170-1	163447-0	FUEL FILTERLTER	O	1	*			
170-2	163447-0	FUEL FILTERLTER	O	1				
171	0561059990	HOSE CLAMP		1	*			
171-1	345920-4	HOSE CLAMP	O	1				
172	5036500300	PLATE		1	*			
172-1	424103-0	PLATE	O	1				
173	5926003000	TUBE		1	*			
173-1	168472-6	TUBE COMPLETE	O	1				
174	5036500200	PLATE		1	*			
174-1	424102-2	PLATE	O	1				
175	5926017000	FUEL TANK CAP ASSY		1	*			
D10		INC.176			*			
175-1	125472-9	FUEL TANK CAP ASSEMBLY	O	1				
D10		INC.176						
176	5256067000	STRAP		1	*			
176-1	140436-2	STRAP COMPLETE	O	1				
177	6249501501	STRAP		1				
178	5196500302	DAMPER		1	*			
178-1	424104-8	DAMPER	O	1				
179	5926500400	FUEL TANK		1	*			
179-1	450566-4	FUEL TANK	O	1	*			
179-2	455003-3	FUEL TANK	O	1	*			
179-3	450566-4	FUEL TANK	O	1				
180	5923504700	INSULATOR GASKET		1	*			

Item	Parts No.	Description	I/C	QTY	N/O	Opt. 1	Opt. 2	NOTE
180-1	413120-5	INSULATOR GASKET	O	1				
181	5923016000	INSULATOR COMPLETE		1	*			
181-1	450559-1	INSULATOR	O	1				
185	0149060120	ADJUSTING SCREW		1				
187	0119059870	SOCKET HEAD BOLT M5X18		2	*			
187-1	266787-6	H.S.H.BOLT M5X18 WITH WR	O	2				
188	5923504000	CARBURETOR GASKET		1	*			
188-1	413121-3	CARBURETOR GASKET	O	1				
189	5926501300	CLAMP		1	*			
189-1	450562-2	CLAMP	O	1				
190	0119059780	SOCKET HEAD BOLT M5X12		1	*			
190-1	922213-2	H.S.H.BOLT M5X12 WITH WR	O	1				
191	5926009000	CARBURETOR		1	*			
D10		INC.192-207			*			
191-1	168497-0	CARBURETOR	O	1				
D10		INC.192-207						
192	5316005120	RING		1	*			
192-1	257964-1	STOP RING E-3	O	1				
193	5236018040	SWIVEL		1	*			
193-1	325922-6	SWIVEL	O	1				
194	5426005030	WASHER		1	*			
194-1	413140-9	WASHER	O	1				
195	5206008030	PAN HEAD SCREW		2	*			
195-1	266581-6	PAN HEAD SCREW M3X8 WITH W	O	2	*			
195-2	WJ00096364	SCREW M3X8 WITH WASHER	O	2				
196	5926002020	PUMP SPRING		1	*			
196-1	234183-6	CONICAL COMPRESSION SPRING 5-9	O	1				
197	5246001010	O RING		1	*			
197-1	213538-8	O RING 2	O	1				
198	5196002020	JET		1	*			
198-1	325924-2	JET	O	1				
199	5926002040	PUMP GASKET		1	*			
199-1	442155-9	PUMP GASKET	O	1				
200	5246001040	PUMP DIAPHRAGM		1	*			
200-1	168575-6	PUMP DIAPHRAGM	O	1	*			
200-2	WJ00009599	PUMP DIAPHRAGM	O	1				
201	5236046010	PUMP COVER SCREW		4	*			
201-1	266582-4	TAPPING SCREW 3X24	O	4				
202	5236046050	PRIMER PUMP COVER		1	*			
202-1	346270-0	PRIMER PUMP COVER	O	1				
203	5246001150	PRIMER PUMP		1	*			
203-1	424314-7	PRIMER PUMP	O	1				
204	5236046140	AIR PURGE BODY ASS'Y		1	*			
204-1	140438-8	AIR PURGE BODY	O	1				
205	5926008010	METERING DIAPHRAGM ASS'Y		1	*			
205-1	168574-8	METERING DIAPHRAGM	O	1				
206	5236046040	METERING DIAPHRAGM GASKET		1	*			
206-1	442154-1	METERING DIAPHRAGM GASKET	O	1				

Item	Parts No.	Description	I/C	QTY	N/O	Opt. 1	Opt. 2	NOTE
207	5926002140	PUMP BODY ASS'Y		1	*			
D10		INC.208			*			
207-1	140437-0	PUMP BODY	O	1				
D10		INC.208						
208	5016004010	INLET SCREEN		1	*			
208-1	352010-6	INLET SCREEN	O	1	*			
208-2	WJ00014070	INLET SCREEN	O	1				
209	0561080010	HOSE CLAMP		1	*			
209-1	345918-1	HOSE CLAMP	O	1				
210	5921500900	BREATHER PIPE		1	*			
210-1	422041-0	BREATHER PIPE	O	1				
211	5923503001	PIPE		1	*			
211-1	422042-8	PIPE	O	1				
212	5923004003	CLEANER PLATE		1				
D10		INC.213-222						
213	5923502200	CHOKE LEVER		1	*			
213-1	451925-5	CHOKE LEVER	O	1				
214	0240159990	O RING P15		1	*			
214-1	213540-1	O RING 15	O	1				
215	5923006002	AIR CLEANER PLATE COMPLETE		1				
216	5923503200	AIR CLEANER ELEMENT		1				
217	5923502400	CHECK VALVE (1)		1	*			
217-1	424316-3	CHECK VALVE	O	1				
218	0240139970	O RING P14		1	*			
218-1	213539-6	O RING 14	O	1				
219	5923502500	CHECK VALVE PLATE		1	*			
219-1	451924-7	CHECK VALVE PLATE	O	1				
220	5316500701	CHECK VALVE		1	*			
220-1	424315-5	CHECK VALVE	O	1				
221	5923503500	GASKET SEPARATOR		1	*			
221-1	168577-2	SEPARATOR GASKET	O	1				
222	5933501600	SEPARATOR PLATE		1	*			
222-1	168576-4	SEPARATOR PLATE	O	1				
223	5923502700	AIR CLEANER COVER		1				
224	0140059480	SCREW ASS'Y M5X14		1	*			
224-1	266809-2	P.H.SCREW M5X14 WITH WR	O	1				
225	5923503100	SCREW M5X68 (W,SW SUS)		2	*			
225-1	265188-5	+PAN HEAD SCREW M5X68	O	2				
226	5923502600	PLATE		1	*			
226-1	345919-9	PLATE	O	1				
227	0213069990	GASKET		1	*			
227-1	423376-2	GASKET	O	1				
228	5923502301	CHOKE PLATE		1	*			
228-1	450560-6	CHOKE PLATE	O	1				
230	5923504600	INTAKE PIPE		1	*			
230-1	324961-3	INTAKE PIPE	O	1				
231	213078-6	O-RING 10		1				
232	423478-4	RUBBER WASHER 5		4				

Model No. EVH2000 PETROL SPRAYER

Item	Parts No.	Description	I/C	QTY	N/O	Opt. 1	Opt. 2	NOTE
A01	6909039000	TUBE SPRAY COMPLETE		1	*			
D10		INC.A02,A03			*			
A01-1	6909039001	TUBE SPRAY COMPLETE	O	1				
D10		INC.A02,A03						
A02	6919001060	PACKING		1				
A03	6919501100	PACKING		1				
A04	6939507000	JOINT		1				
D10		INC.A05						
A05	6919501100	PACKING		1				
A06	6919500500	GRIP SPRAY		1				
D10		INC.A07						
A07	6919501100	PACKING		1				
A08	6909035001	COCK,FUEL		1				
D10		INC.A09						
A09	6919501100	PACKING		1				
A10	6909511500	PIPE SPRAY		1	*			
D10		INC.A11			*			
A10-1	6909511501	PIPE SPRAY	O	1				
D10		INC.A11						
A11	6919501100	PACKING		1				
A12	6949001000	NOZZLE 2HEAD CP		1				
A13	6909511104	STRAP PIPE		1				
A14	6909059000	TOOL		1	*			
A14-1	194717-6	BOX WRENCH SET	O	1				
A15	6909539100	INSTRUCTION MANUAL		1				
A16	0722104800	BOTTLE OIL		1				