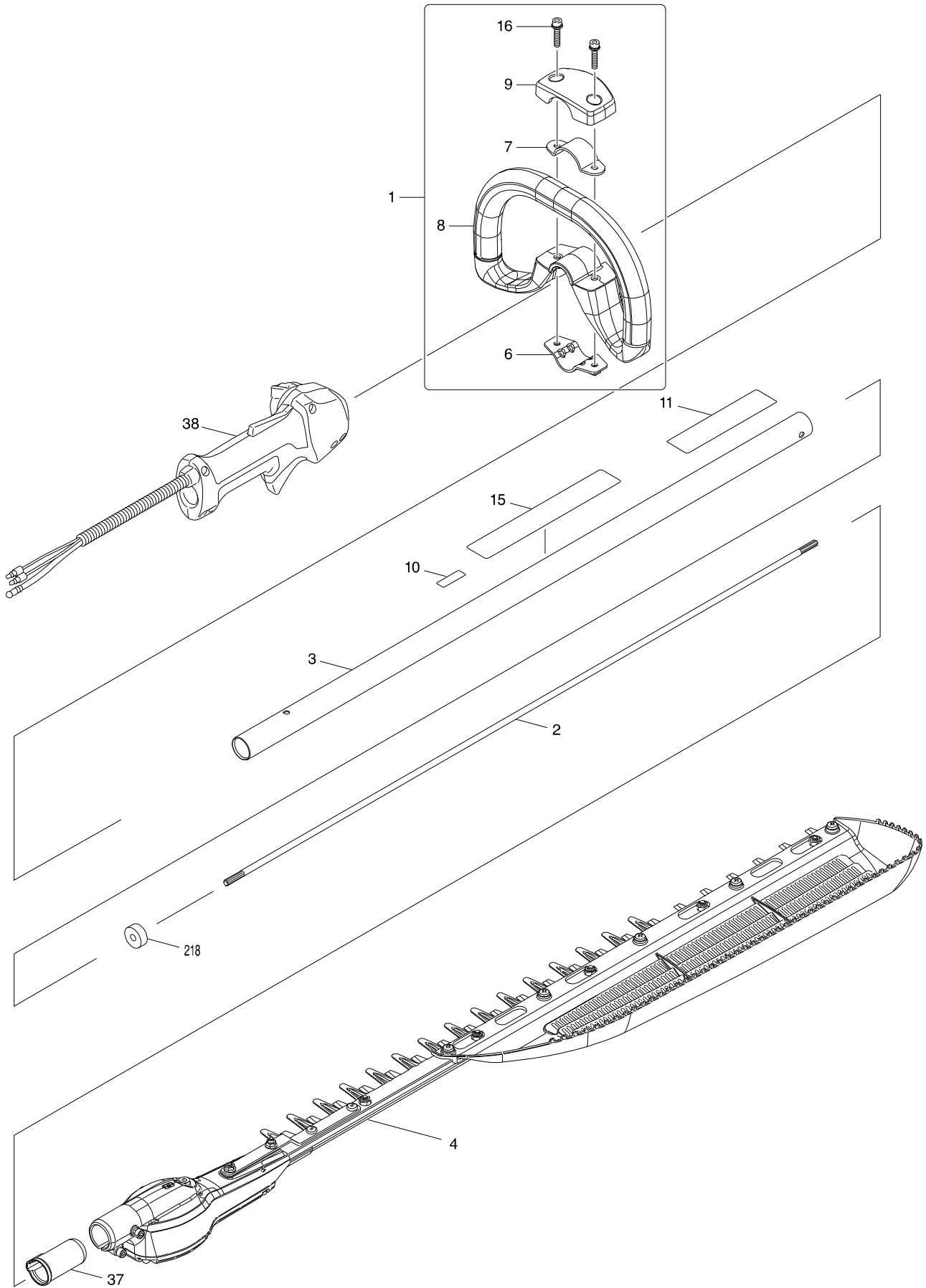
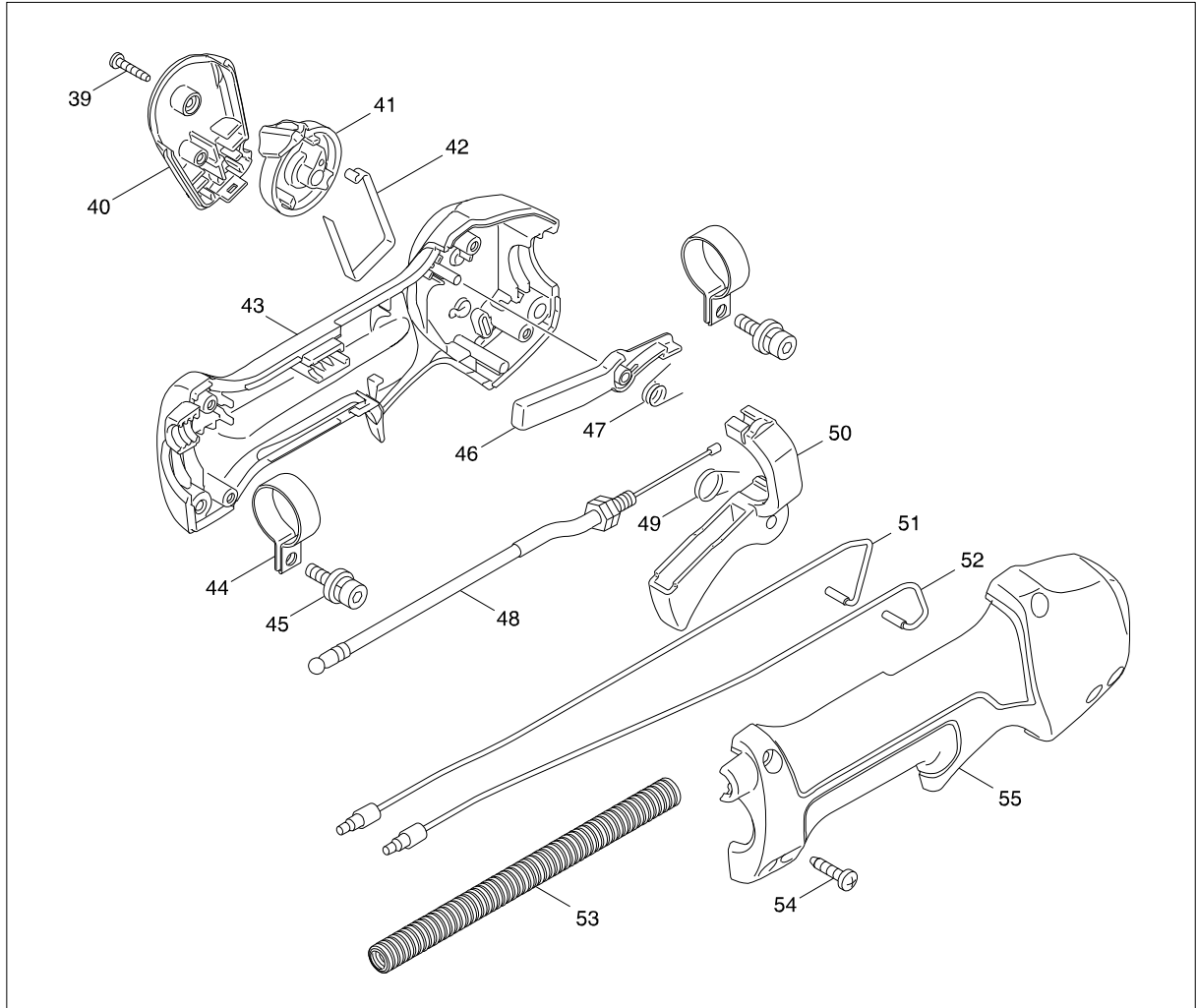


# Model No. EN7350SH PETROL POLE HEDGE TRIMMER



# Model No. EN7350SH PETROL POLE HEDGE TRIMMER

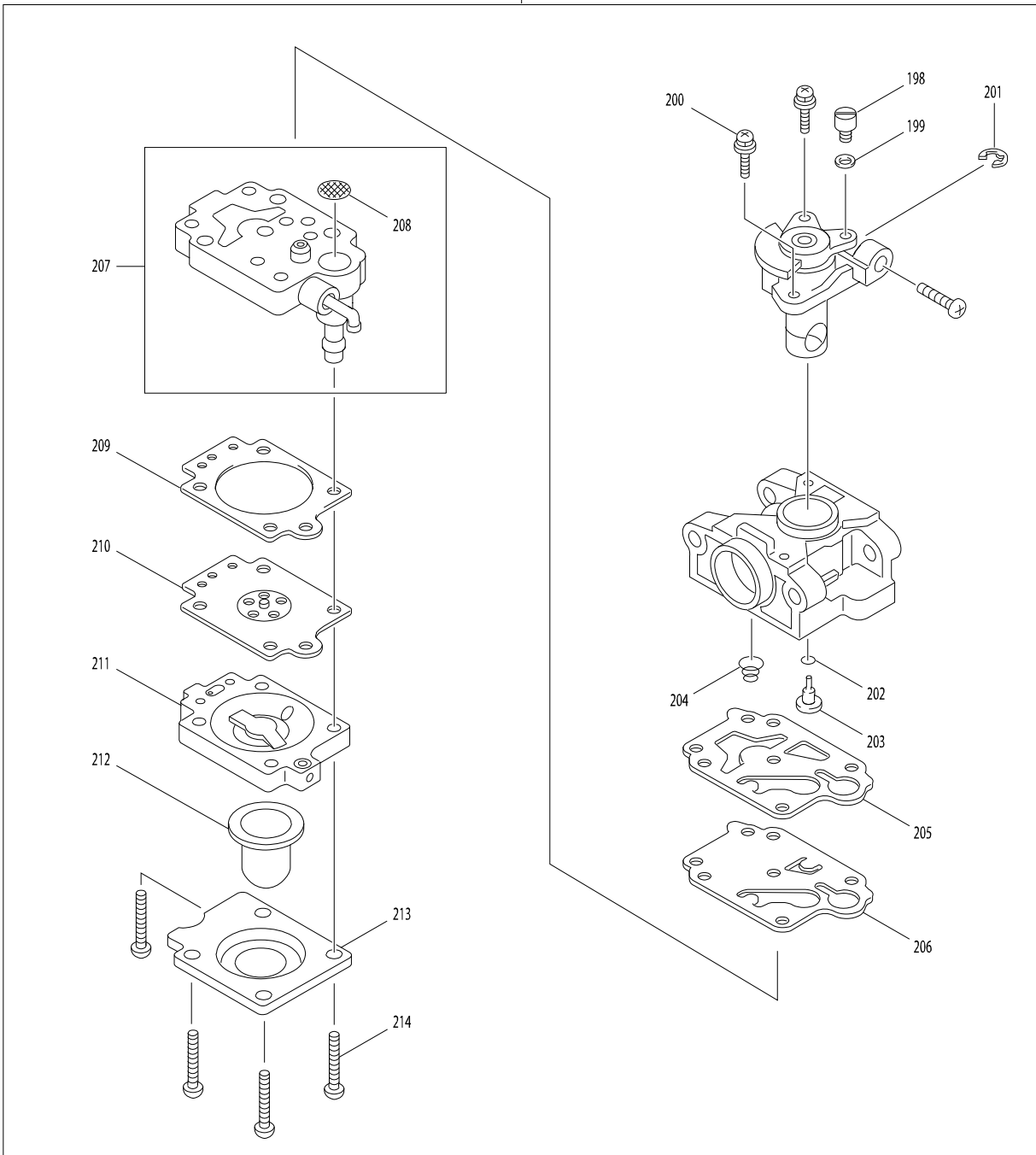


38



# Model No. EN7350SH PETROL POLE HEDGE TRIMMER

197





# Model No. EN7350SH PETROL POLE HEDGE TRIMMER

| Item  | Parts No. | Description                 | I/C | QTY | N/O | Opt. 1 | Opt. 2 | NOTE |
|-------|-----------|-----------------------------|-----|-----|-----|--------|--------|------|
| 001   | 195626-2  | LOOP HANDLE SET             |     | 1   |     |        |        |      |
| D10   |           | INC. 6-9,16                 |     |     |     |        |        |      |
| 002   | 326036-4  | SHAFT                       |     | 1   |     |        |        |      |
| 003   | 141961-6  | SHAFT PIPE COMPLETE         |     | 1   |     |        |        |      |
| 004   | 126283-5  | TRIMMER HEAD ASSEMBLY       |     | 1   | *   |        |        |      |
| 004-1 | 135545-0  | TRIMMER HEAD ASSEMBLY       | O   | 1   |     |        |        |      |
| 006   | 346467-1  | CLAMP 24                    |     | 1   | *   |        |        |      |
| 006-1 | 347094-7  | CLAMP 24                    | O   | 1   |     |        |        |      |
| 007   | 346468-9  | CLAMP 33                    |     | 1   |     |        |        |      |
| 008   | 452841-4  | LOOP HANDLE                 |     | 1   |     |        |        |      |
| 009   | 452843-0  | CLAMP COVER B               |     | 1   |     |        |        |      |
| 010   | 814E64-6  | SERIAL NO. LABEL            |     | 1   |     |        |        |      |
| 011   | 819312-8  | MAKITA LOGO LABEL           |     | 1   |     |        |        |      |
| 015   | 801C66-9  | CAUTION LABEL               |     | 1   |     |        |        |      |
| 016   | 922243-3  | HEX. SOCKET HEAD BOLT M5X25 |     | 2   |     |        |        |      |
| 033   | 816567-6  | SERIAL NO. LABEL            |     | 1   |     |        |        |      |
| 034   | 819432-8  | CAUTION TAG                 |     | 1   |     |        |        |      |
| 036   | 800X37-9  | EN7350SH MODEL NO. LABEL    |     | 1   |     |        |        |      |
| 037   | 424434-7  | CAP 24                      |     | 1   |     |        |        |      |
| 038   | 125776-9  | CONTROL LEVER ASSEMBLY      |     | 1   | *   |        |        |      |
| D10   |           | INC. 39-55                  |     |     | *   |        |        |      |
| 038-1 | 126488-7  | CONTROL LEVER ASSEMBLY      | <   | 1   |     |        |        |      |
| D10   |           | INC. 39-55                  |     |     |     |        |        |      |
| 039   | 266130-9  | TAPPING SCREW BIND PT 3X16  |     | 1   |     |        |        |      |
| 040   | 451595-0  | SWITCH COVER                |     | 1   |     |        |        |      |
| 041   | 451594-2  | SWITCH LEVER                |     | 1   |     |        |        |      |
| 042   | 232251-9  | LEAF SPRING                 |     | 1   |     |        |        |      |
| 043   | 188832-6  | LEVER CASE SET              |     | 1   |     |        |        |      |
| D10   |           | INC. 55                     |     |     |     |        |        |      |
| 044   | 346248-3  | CLAMP 24                    |     | 2   |     |        |        |      |
| 045   | 922218-2  | H.S.H.BOLT M5X14 WITH WR    |     | 2   |     |        |        |      |
| 046   | 451593-4  | LOCK LEVER                  |     | 1   |     |        |        |      |
| 047   | 233541-3  | TORSION SPRING 7            |     | 1   |     |        |        |      |
| 048   | 168571-4  | CONTROL CABLE               |     | 1   |     |        |        |      |
| 049   | 233540-5  | TORSION SPRING 11           |     | 1   |     |        |        |      |
| 050   | 451592-6  | THROTTLE LEVER              |     | 1   | *   |        |        |      |
| 050-1 | 455313-8  | THROTTLE LEVER              | <   | 1   |     |        |        |      |
| 051   | 638714-7  | LEAD UNIT                   |     | 1   |     |        |        |      |
| 052   | 638713-9  | LEAD UNIT                   |     | 1   |     |        |        |      |
| 053   | 452071-7  | CORRUGATE TUBE              |     | 1   |     |        |        |      |
| 054   | 266326-2  | TAPPING SCREW 4X18          |     | 4   |     |        |        |      |
| 055   | 188832-6  | LEVER CASE SET              |     | 1   |     |        |        |      |
| D10   |           | INC. 43                     |     |     |     |        |        |      |
| 060   | 126202-1  | CLEANER COVER ASSEMBLY      |     | 1   | *   |        |        |      |
| D10   |           | INC. 61                     |     |     | *   |        |        |      |
| 060-1 | 123499-3  | CLEANER COVER ASSEMBLY      | S   | 1   |     |        |        |      |
| D10   |           | INC. 61                     |     |     |     |        |        |      |
| 061   | 265791-2  | THUMB SCREW M4              |     | 1   |     |        |        |      |

# Model No. EN7350SH PETROL POLE HEDGE TRIMMER

| Item  | Parts No. | Description                    | I/C | QTY | N/O | Opt. 1 | Opt. 2 | NOTE |
|-------|-----------|--------------------------------|-----|-----|-----|--------|--------|------|
| 062   | 443171-4  | AIR CLEANER ELEMENT            |     | 1   |     |        |        |      |
| 063   | 443169-1  | AIR CLEANER ELEMENT            |     | 1   |     |        |        |      |
| 064   | 266871-7  | H.S.BUTTON HEAD BOLT M5X60     |     | 2   |     |        |        |      |
| 065   | 126198-6  | CLEANER PLATE ASSEMBLY         |     | 1   | *   |        |        |      |
| D10   |           | INC. 66-68,223,224,232-234,231 |     |     | *   |        |        |      |
| 065-1 | 123501-2  | CLEANER PLATE ASSEMBLY         | S   | 1   |     |        |        |      |
| D10   |           | INC. 66-68,223,224,232-234,231 |     |     |     |        |        |      |
| 066   | 162346-3  | SEPARATOR PLATE                |     | 1   |     |        |        |      |
| 067   | 213540-1  | O RING 15                      |     | 1   |     |        |        |      |
| 068   | 424316-3  | CHECK VALVE                    |     | 2   |     |        |        |      |
| 069   | 422099-9  | PIPE                           |     | 1   |     |        |        |      |
| 070   | 325665-0  | JOINT PIPE                     |     | 1   |     |        |        |      |
| 071   | 442153-3  | CARBURETOR GASKET              |     | 1   |     |        |        |      |
| 072   | 266787-6  | H.S.H.BOLT M5X18 WITH WR       |     | 2   |     |        |        |      |
| 073   | 451825-9  | CLAMP                          |     | 1   |     |        |        |      |
| 074   | 451729-5  | INSULATOR                      |     | 1   |     |        |        |      |
| 075   | 213547-7  | O-RING 12                      |     | 1   |     |        |        |      |
| 076   | 422109-2  | BREATHER PIPE                  |     | 1   |     |        |        |      |
| 077   | 345918-1  | HOSE CLAMP                     |     | 1   |     |        |        |      |
| 078   | 318745-9  | ROCKER COVER OUTER             |     | 1   |     |        |        |      |
| 079   | 922222-1  | HEX. SOCKET HEAD BOLT M5X16    |     | 4   |     |        |        |      |
| 080   | 453860-3  | ROCKER COVER INNER             |     | 1   |     |        |        |      |
| 081   | 162304-9  | ROCKER COVER GASKET            |     | 1   |     |        |        |      |
| 082   | 424302-4  | PLUG CAP                       |     | 1   |     |        |        |      |
| 083   | 324891-8  | PLUG CAP SPRING                |     | 1   |     |        |        |      |
| 084   | 168534-0  | SPARK PLUG                     |     | 1   |     |        |        |      |
| 085   | 125554-7  | ROCKER ARM ASSEMBLY            |     | 2   |     |        |        |      |
| 086   | 256200-2  | PIN 5                          |     | 1   |     |        |        |      |
| 087   | 256865-0  | ROD 2.5                        |     | 2   |     |        |        |      |
| 089   | 451735-0  | CLUTCH CASE                    |     | 1   |     |        |        |      |
| 090   | 922228-9  | H.S.H.BOLT M5X18 WITH WR       |     | 3   |     |        |        |      |
| 091   | 450569-8  | SPACER                         |     | 1   | *   |        |        |      |
| 091-1 | 450569-8  | SPACER                         | O   | 1   |     |        |        |      |
| 092   | 961052-5  | RETAINING RING S-12            |     | 1   |     |        |        |      |
| 093   | 210111-5  | BALL BEARING 6201LLU           |     | 1   |     |        |        |      |
| 094   | 962151-6  | RETAINING RING R-32            |     | 1   |     |        |        |      |
| 095   | 168809-7  | CLUTCH DRUM                    |     | 1   | *   |        |        |      |
| 095-1 | 161588-6  | CLUTCH DRUM COMPLETE           | <   | 1   |     |        |        |      |
| 096   | 266864-4  | SHOULDER HEX. BOLT M6X25       |     | 2   |     |        |        |      |
| 097   | 267817-6  | WASHER 8                       |     | 2   |     |        |        |      |
| 098   | 126135-0  | CLUTCH ASSEMBLY                |     | 1   |     |        |        |      |
| D10   |           | INC. 99,100                    |     |     |     |        |        |      |
| 099   | 168498-8  | CLUTCH SHOE                    |     | 2   | *   |        |        |      |
| 099-1 | 161332-1  | CLUTCH SHOE                    | O   | 2   |     |        |        |      |
| 100   | 231881-3  | TENSION SPRING 7               |     | 1   |     |        |        |      |
| 101   | 267812-6  | WASHER 6                       |     | 2   |     |        |        |      |
| 102   | 264039-9  | CONED DISK SPRING HEXNUT M8-13 |     | 1   | *   |        |        |      |
| 102-1 | 264039-9  | CONED DISK SPRING HEXNUT M8-13 | <   | 1   |     |        |        |      |

# Model No. EN7350SH PETROL POLE HEDGE TRIMMER

| Item  | Parts No. | Description                 | I/C | QTY | N/O | Opt. 1 | Opt. 2 | NOTE |
|-------|-----------|-----------------------------|-----|-----|-----|--------|--------|------|
| 103   | 318569-3  | FLYWHEEL                    |     | 1   |     |        |        |      |
| 104   | 444021-6  | TUBE                        |     | 1   |     |        |        |      |
| 105   | 266602-4  | HEX. SOCKET HEAD BOLT M4X20 |     | 2   |     |        |        |      |
| 106   | 452049-0  | SPACER                      |     | 2   |     |        |        |      |
| 107   | 168559-4  | IGNITION COIL               |     | 1   |     |        |        |      |
| 108   | 268238-5  | PIN 5                       |     | 1   |     |        |        |      |
| 109   | 125552-1  | CAM GEAR ASSEMBLY           |     | 1   |     |        |        |      |
| 110   | 313169-4  | CAM LIFTER                  |     | 2   |     |        |        |      |
| 112   | 268239-3  | PIN 4                       |     | 1   |     |        |        |      |
| 113   | 162274-2  | CAM GEAR COVER GASKET       |     | 1   |     |        |        |      |
| 114   | 318443-5  | CAM GEAR COVER              |     | 1   |     |        |        |      |
| 115   | 922222-1  | HEX. SOCKET HEAD BOLT M5X16 |     | 3   |     |        |        |      |
| 116   | 135478-9  | CYLINDER BLOCK ASSEMBLY     |     | 1   | *   |        |        |      |
| D10   |           | INC. 117                    |     |     | *   |        |        |      |
| 116-1 | 135478-9  | CYLINDER BLOCK ASSEMBLY     | <   | 1   |     |        |        |      |
| D10   |           | INC. 88,117,118             |     |     |     |        |        |      |
| 117   | 922222-1  | HEX. SOCKET HEAD BOLT M5X16 |     | 6   |     |        |        |      |
| 118   | 424201-0  | CHECK VALVE                 |     | 2   |     |        |        |      |
| 119   | 346331-6  | MUFFLER GASKET              |     | 1   |     |        |        |      |
| 120   | 168554-4  | EXHAUST MUFFLER             |     | 1   |     |        |        |      |
| 121   | 266440-4  | HEX SOCKET HEAD BOLT M5X40  |     | 2   |     |        |        |      |
| 122   | 168483-1  | PULLEY                      |     | 1   |     |        |        |      |
| 123   | 451731-8  | MUFFLER PLATE               |     | 1   |     |        |        |      |
| 124   | 922218-2  | H.S.H.BOLT M5X14 WITH WR    |     | 1   |     |        |        |      |
| 125   | 638707-4  | LEAD UNIT                   |     | 1   |     |        |        |      |
| 126   | 638708-2  | LEAD UNIT                   |     | 1   |     |        |        |      |
| 128   | 922218-2  | H.S.H.BOLT M5X14 WITH WR    |     | 1   |     |        |        |      |
| 129   | 453266-5  | CYLINDER COVER              |     | 1   |     |        |        |      |
| 130   | 922218-2  | H.S.H.BOLT M5X14 WITH WR    |     | 1   |     |        |        |      |
| 131   | 424082-2  | BUFFER RUBBER               |     | 1   |     |        |        |      |
| 132   | 922211-6  | HEX. SOCKET HEAD BOLT M5X12 |     | 1   |     |        |        |      |
| 133   | 922226-3  | HEX. SOCKET HEAD BOLT M5X18 |     | 2   |     |        |        |      |
| 134   | 318249-1  | PIPE HOLDER                 |     | 1   |     |        |        |      |
| 135   | 318250-6  | PIPE HOLDER                 |     | 1   |     |        |        |      |
| 136   | 424083-0  | BUFFER RUBBER               |     | 1   |     |        |        |      |
| 137   | 424200-2  | SPACER                      |     | 2   |     |        |        |      |
| 138   | 234108-0  | COMPRESSION SPRING 9        |     | 2   |     |        |        |      |
| 140   | 325669-2  | EXHAUST VALVE               |     | 1   | *   |        |        |      |
| 140-1 | 326366-3  | EXHAUST VALVE               | O   | 1   |     |        |        |      |
| 143   | 325670-7  | INTAKE VALVE                |     | 1   | *   |        |        |      |
| 143-1 | 326367-1  | INTAKE VALVE                | O   | 1   |     |        |        |      |
| 144   | 257298-2  | PISTON RING (TOP) 34        |     | 1   | *   |        |        |      |
| 144-1 | 195145-8  | PISTON RING SET             | S   | 1   |     |        |        |      |
| 145   | 257299-0  | PISTON RING (SECOND) 34     |     | 1   | *   |        |        |      |
| 146   | 257300-1  | PISTON RING 34              |     | 1   | *   |        |        |      |
| 147   | 318441-9  | PISTON                      |     | 1   |     |        |        |      |
| 148   | 254040-2  | WOODRUFF KEY 3              |     | 1   |     |        |        |      |
| 149   | 126359-8  | CRANK SHAFT ASSEMBLY        |     | 1   | *   |        |        |      |



# Model No. EN7350SH PETROL POLE HEDGE TRIMMER

| Item  | Parts No. | Description                 | I/C | QTY | N/O | Opt. 1 | Opt. 2 | NOTE |
|-------|-----------|-----------------------------|-----|-----|-----|--------|--------|------|
| D10   |           | INC. 150-152                |     |     | *   |        |        |      |
| 149-1 | 123774-7  | CRANK SHAFT ASSEMBLY        | <   | 1   |     |        |        |      |
| D10   |           | INC. 150-152                |     |     |     |        |        |      |
| 150   | 213148-1  | OIL SEAL 10                 |     | 1   | *   |        |        |      |
| 150-1 | 213769-9  | OIL SEAL 10                 | <   | 1   |     |        |        |      |
| 151   | 267400-9  | FLAT WASHER 23              |     | 1   |     |        |        |      |
| 152   | 213147-3  | OIL SEAL 12                 |     | 1   | *   |        |        |      |
| 152-1 | 213089-1  | OIL SEAL 12                 | <   | 1   |     |        |        |      |
| 153   | 257781-9  | PISTON PIN                  |     | 1   |     |        |        |      |
| 154   | 233976-8  | CLIP                        |     | 2   |     |        |        |      |
| 155   | 162345-5  | OIL CASE GASKET             |     | 1   |     |        |        |      |
| 156   | 346083-9  | LEAD VALVE                  |     | 1   |     |        |        |      |
| 157   | 318910-0  | RETAINER PLATE              |     | 1   |     |        |        |      |
| 158   | 922112-8  | HEX. SOCKET HEAD BOLT M4X10 |     | 1   |     |        |        |      |
| 159   | 318588-9  | OIL CASE                    |     | 1   |     |        |        |      |
| 160   | 922222-1  | HEX. SOCKET HEAD BOLT M5X16 |     | 4   |     |        |        |      |
| 161   | 424344-8  | DAMPER                      |     | 1   |     |        |        |      |
| 162   | 346305-7  | GASKET                      |     | 1   |     |        |        |      |
| 163   | 266611-3  | HEX BOLT M6X8               |     | 1   |     |        |        |      |
| 164   | 213548-5  | O-RING 20                   |     | 1   |     |        |        |      |
| 165   | 325665-0  | JOINT PIPE                  |     | 1   |     |        |        |      |
| 166   | 282020-8  | HOSE CLAMP                  |     | 1   | *   |        |        |      |
| 166-1 | 282020-8  | HOSE CLAMP                  | O   | 1   |     |        |        |      |
| 167   | 325666-8  | OIL WEIGHT                  |     | 1   | *   |        |        |      |
| 167-1 | 325666-8  | OIL WEIGHT                  | O   | 1   |     |        |        |      |
| 168   | 424301-6  | OIL TUBE                    |     | 1   | *   |        |        |      |
| 168-1 | 125805-8  | OIL TUBE ASSEMBLY           | S   | 1   |     |        |        |      |
| C10   | 424301-6  | OIL TUBE                    |     | 1   |     |        |        |      |
| D10   |           | INC. 166,167                |     |     |     |        |        |      |
| 169   | 452047-4  | OIL CAP                     |     | 1   |     |        |        |      |
| 170   | 424343-0  | GASKET                      |     | 1   |     |        |        |      |
| 171   | 452048-2  | OIL PIPE                    |     | 1   |     |        |        |      |
| 172   | 922218-2  | H.S.H.BOLT M5X14 WITH WR    |     | 2   |     |        |        |      |
| 173   | 125728-0  | FUEL TANK CAP ASSEMBLY      |     | 1   |     |        |        |      |
| 175   | 168755-4  | TUBE COMPLETE               |     | 1   |     |        |        |      |
| 176   | 282020-8  | HOSE CLAMP                  |     | 1   |     |        |        |      |
| 177   | 163518-3  | GASOLINE FILTER             |     | 1   |     |        |        |      |
| 178   | 451736-8  | FUEL TANK                   |     | 1   |     |        |        |      |
| 179   | 424080-6  | BUFFER RUBBER               |     | 2   |     |        |        |      |
| 180   | 424081-4  | BUFFER RUBBER               |     | 1   |     |        |        |      |
| 181   | 451737-6  | TANK GUARD                  |     | 1   |     |        |        |      |
| 182   | 922218-2  | H.S.H.BOLT M5X14 WITH WR    |     | 4   |     |        |        |      |
| 183   | 195308-6  | RECOIL STARTER SET          |     | 1   |     |        |        |      |
| D10   |           | INC. 122,184,185,187-193    |     |     |     |        |        |      |
| 184   | 424319-7  | STARTER KNOB                |     | 1   |     |        |        |      |
| 185   | 424359-5  | DAMPER                      |     | 1   |     |        |        |      |
| 187   | 266585-8  | TAPPING SCREW 5X12          |     | 1   |     |        |        |      |
| 188   | 325923-4  | SWING ARM                   |     | 1   |     |        |        |      |

| Item  | Parts No.  | Description                    | I/C | QTY | N/O | Opt. 1 | Opt. 2 | NOTE |
|-------|------------|--------------------------------|-----|-----|-----|--------|--------|------|
| 189   | 451938-6   | COLLAR                         |     | 1   |     |        |        |      |
| 190   | 451937-8   | REEL                           |     | 1   |     |        |        |      |
| 191   | 232258-5   | SPIRAL SPRING                  |     | 1   |     |        |        |      |
| 192   | 444023-2   | STARTER ROPE                   |     | 1   |     |        |        |      |
| 193   | 451733-4   | STARTER CASE                   |     | 1   |     |        |        |      |
| 194   | 922223-9   | H.S.H.BOLT M5X16 WITH WR       |     | 4   |     |        |        |      |
| 196   | 816565-0   | MAKITA LOGO LABEL              |     | 1   |     |        |        |      |
| 197   | 168762-7   | CARBURETOR                     |     | 1   |     |        |        |      |
| D10   |            | INC. 198-207,209-214           |     |     |     |        |        |      |
| 198   | 325922-6   | SWIVEL                         |     | 1   |     |        |        |      |
| 199   | 413140-9   | WASHER                         |     | 1   |     |        |        |      |
| 200   | 266581-6   | PAN HEAD SCREW M3X8 WITH W     |     | 2   | *   |        |        |      |
| 200-1 | WJ00096364 | SCREW M3X8 WITH WASHER         | O   | 2   |     |        |        |      |
| 201   | 257964-1   | STOP RING E-3                  |     | 1   |     |        |        |      |
| 202   | 213538-8   | O RING 2                       |     | 1   |     |        |        |      |
| 203   | 325985-2   | JET                            |     | 1   |     |        |        |      |
| 204   | 234183-6   | CONICAL COMPRESSION SPRING 5-9 |     | 1   |     |        |        |      |
| 205   | 442155-9   | PUMP GASKET                    |     | 1   |     |        |        |      |
| 206   | 168575-6   | PUMP DIAPHRAGM                 |     | 1   | *   |        |        |      |
| 206-1 | WJ00009599 | PUMP DIAPHRAGM                 | O   | 1   |     |        |        |      |
| 207   | 141737-1   | PUMP BODY                      |     | 1   |     |        |        |      |
| D10   |            | INC. 208                       |     |     |     |        |        |      |
| 208   | 352021-1   | INLET SCREEN                   |     | 1   |     |        |        |      |
| 209   | 442154-1   | METERING DIAPHRAGM GASKET      |     | 1   |     |        |        |      |
| 210   | 168620-7   | METERING DIAPHRAGM             |     | 1   |     |        |        |      |
| 211   | 140438-8   | AIR PURGE BODY                 |     | 1   |     |        |        |      |
| 212   | 424314-7   | PRIMER PUMP                    |     | 1   |     |        |        |      |
| 213   | 346270-0   | PRIMER PUMP COVER              |     | 1   |     |        |        |      |
| 214   | 266582-4   | TAPPING SCREW 3X24             |     | 4   |     |        |        |      |
| 215   | 810455-9   | CAUTION PLATE                  |     | 1   |     |        |        |      |
| 216   | 800F73-7   | INDICATION LABEL               |     | 1   |     |        |        |      |
| 217   | 941151-9   | FLAT WASHER 6                  |     | 1   |     |        |        |      |
| 218   | 443170-6   | FELT                           |     | 1   |     |        |        |      |
| 223   | 266427-6   | TAPPING SCREW 4X12             |     | 1   |     |        |        |      |
| 224   | 452219-1   | CHOKE PLATE                    |     | 1   |     |        |        |      |
| 231   | 452220-6   | CHOKE LEVER                    |     | 1   |     |        |        |      |
| 232   | 266007-8   | TAPPING SCREW BIND PT 3X10     |     | 1   |     |        |        |      |
| 233   | 352020-3   | SEPARATOR MESH                 |     | 1   |     |        |        |      |
| 234   | 453865-3   | SEPARATOR CASE                 |     | 1   |     |        |        |      |
| 235   | 453862-9   | OIL CASE PLATE                 |     | 1   |     |        |        |      |
| 236   | 346732-8   | PLATE                          |     | 1   |     |        |        |      |
| 237   | 266887-2   | H.L. SOCKET HEAD BOLT M4X17    |     | 1   | *   |        |        |      |
| 237-1 | 266927-6   | H.L. SOCKET HEAD BOLT M4X20    | S   | 1   |     |        |        |      |
| 238   | 442199-9   | GASKET                         |     | 1   |     |        |        |      |
| 239   | 931102-0   | HEX. NUT M4                    |     | 1   |     |        |        |      |
| 240   | 346730-2   | HOLDER                         |     | 1   | *   |        |        |      |
| 240-1 | 346730-2   | HOLDER                         | S   | 1   |     |        |        |      |
| 251   | 962103-7   | RETAINING RING R-24            |     | 1   |     |        |        |      |

# Model No. EN7350SH PETROL POLE HEDGE TRIMMER

| Item  | Parts No. | Description                 | I/C | QTY | N/O | Opt. 1 | Opt. 2 | NOTE |
|-------|-----------|-----------------------------|-----|-----|-----|--------|--------|------|
| 252   | 961005-4  | RETAINING RING S-9          |     | 1   |     |        |        |      |
| 253   | 210049-4  | BALL BEARING 609ZZ          |     | 1   |     |        |        |      |
| 254   | 227608-7  | SPIRAL BEVEL GEAR 10        |     | 1   |     |        |        |      |
| 255   | 922241-7  | HEX. SOCKET HEAD BOLT M5X25 |     | 1   |     |        |        |      |
| 256   | 922211-6  | HEX. SOCKET HEAD BOLT M5X12 |     | 1   |     |        |        |      |
| 257   | 141941-2  | GEAR HOUSING COMPLETE       |     | 1   |     |        |        |      |
| C10   | 263002-9  | RUBBER PIN 4                |     | 1   |     |        |        |      |
| 258   | 266818-1  | HEX. SOCKET HEX. BOLT M8X8  |     | 1   |     |        |        |      |
| 259   | 264090-9  | HEX. NUT M5-8               |     | 2   |     |        |        |      |
| 260   | 266832-7  | BINDING HEAD SCREW M5X8     |     | 2   |     |        |        |      |
| 261   | 346662-3  | PLATE                       |     | 1   |     |        |        |      |
| 262   | 915211-3  | BINDING HEAD SCREW M5X12    |     | 5   |     |        |        |      |
| 264   | 210049-4  | BALL BEARING 609ZZ          |     | 1   |     |        |        |      |
| 265   | 326257-8  | SPINDLE                     |     | 1   |     |        |        |      |
| 266   | 227609-5  | SPIRAL BEVEL GEAR 47        |     | 1   |     |        |        |      |
| 267   | 211067-5  | BALL BEARING 6200ZZ         |     | 1   |     |        |        |      |
| 268   | 318972-8  | BEARING HOUSING             |     | 1   |     |        |        |      |
| 269   | 265490-6  | HEX. SOCKET HEAD BOLT M4X16 |     | 4   |     |        |        |      |
| 270   | 346658-4  | PLATE                       |     | 1   |     |        |        |      |
| 271   | 346251-4  | CONNECTING ROD              |     | 1   |     |        |        |      |
| 272   | 332055-0  | CRANK                       |     | 1   |     |        |        |      |
| 273   | 346251-4  | CONNECTING ROD              |     | 1   |     |        |        |      |
| 274   | 346256-4  | HOLDER                      |     | 1   |     |        |        |      |
| 275   | 922256-4  | HEX. SOCKET HEAD BOLT M5X35 |     | 2   |     |        |        |      |
| 276   | 443159-4  | SEAL                        |     | 1   |     |        |        |      |
| 277   | 346658-4  | PLATE                       |     | 1   |     |        |        |      |
| 278   | 423457-2  | GASKET                      |     | 1   |     |        |        |      |
| 279   | 318973-6  | UNDER COVER                 |     | 1   |     |        |        |      |
| 280   | 922126-7  | HEX. SOCKET HEAD BOLT M4X16 |     | 6   |     |        |        |      |
| 281   | 332060-7  | GUIDE BAR                   |     | 1   |     |        |        |      |
| 282   | 264089-4  | HEX. LOCK NUT M6-10         |     | 5   |     |        |        |      |
| 283   | 346667-3  | PLATE                       |     | 1   |     |        |        |      |
| 284   | 725185-8  | SHEAR BLADE A               |     | 1   |     |        |        |      |
| 285   | 313195-3  | SLEEVE 5                    |     | 2   |     |        |        |      |
| 286   | 725186-6  | SHEAR BLADE B               |     | 1   |     |        |        |      |
| 287   | 346667-3  | PLATE                       |     | 1   |     |        |        |      |
| 288   | 266824-6  | H.S. BUTTON HEAD BOLT M6X20 |     | 5   |     |        |        |      |
| 289   | 346668-1  | END COVER                   |     | 1   |     |        |        |      |
| 290   | 451866-5  | CHIP RECEIVER               |     | 1   |     |        |        |      |
| A01   | 195500-4  | OIL SET                     |     | 1   | *   |        |        |      |
| A01-1 | 197007-6  | OIL SET                     | O   | 1   |     |        |        |      |
| A02   | 782233-6  | BOX DRIVER 10-16            |     | 1   |     |        |        |      |
| A03   | 783223-2  | HEX. WRENCH 4               |     | 1   |     |        |        |      |
| A04   | 451868-1  | BLADE COVER                 |     | 1   |     |        |        |      |
| A05   | 831304-7  | ACCESSORY BAG               |     | 1   |     |        |        |      |
|       |           |                             |     |     |     |        |        |      |
|       |           |                             |     |     |     |        |        |      |
|       |           |                             |     |     |     |        |        |      |