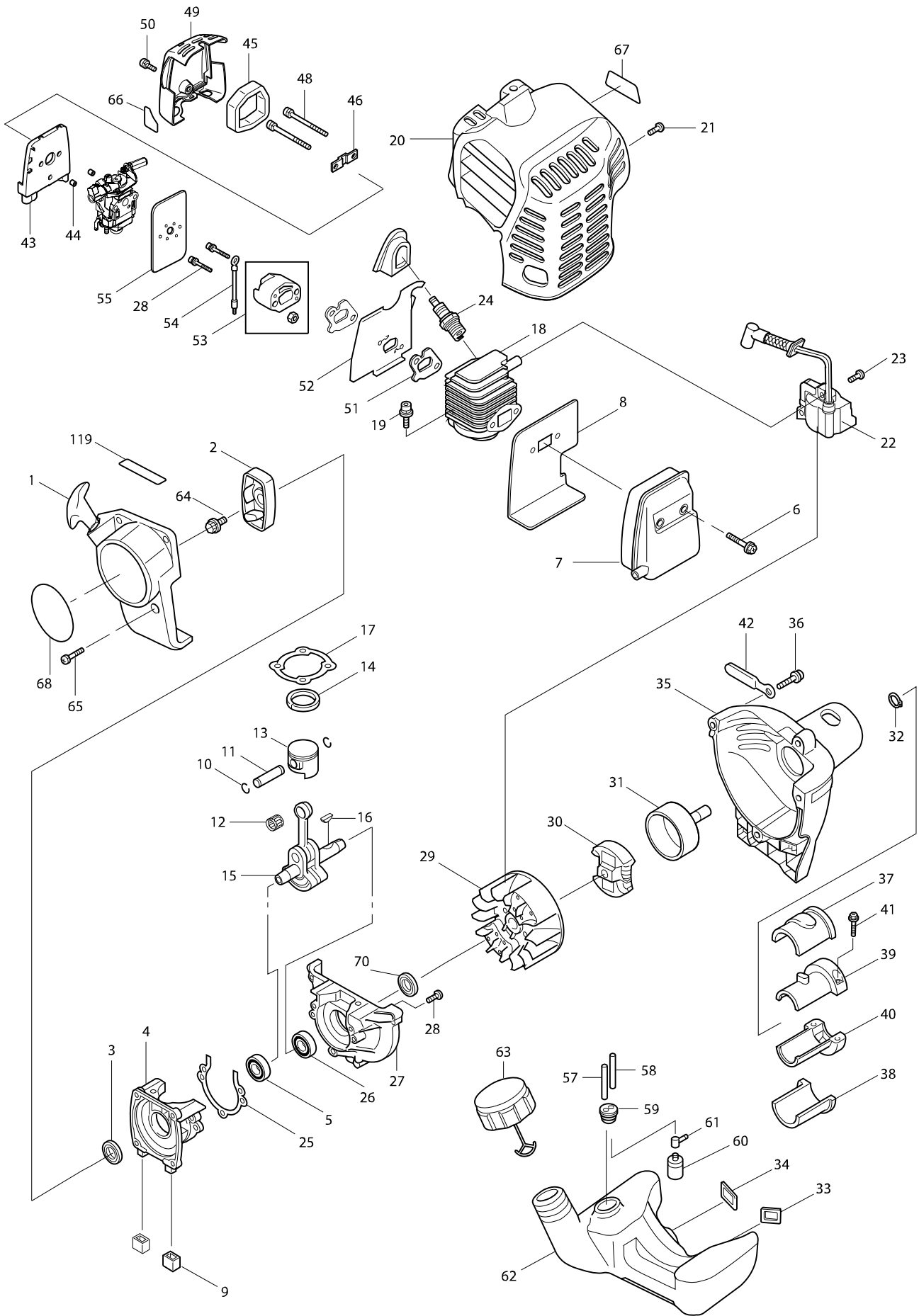
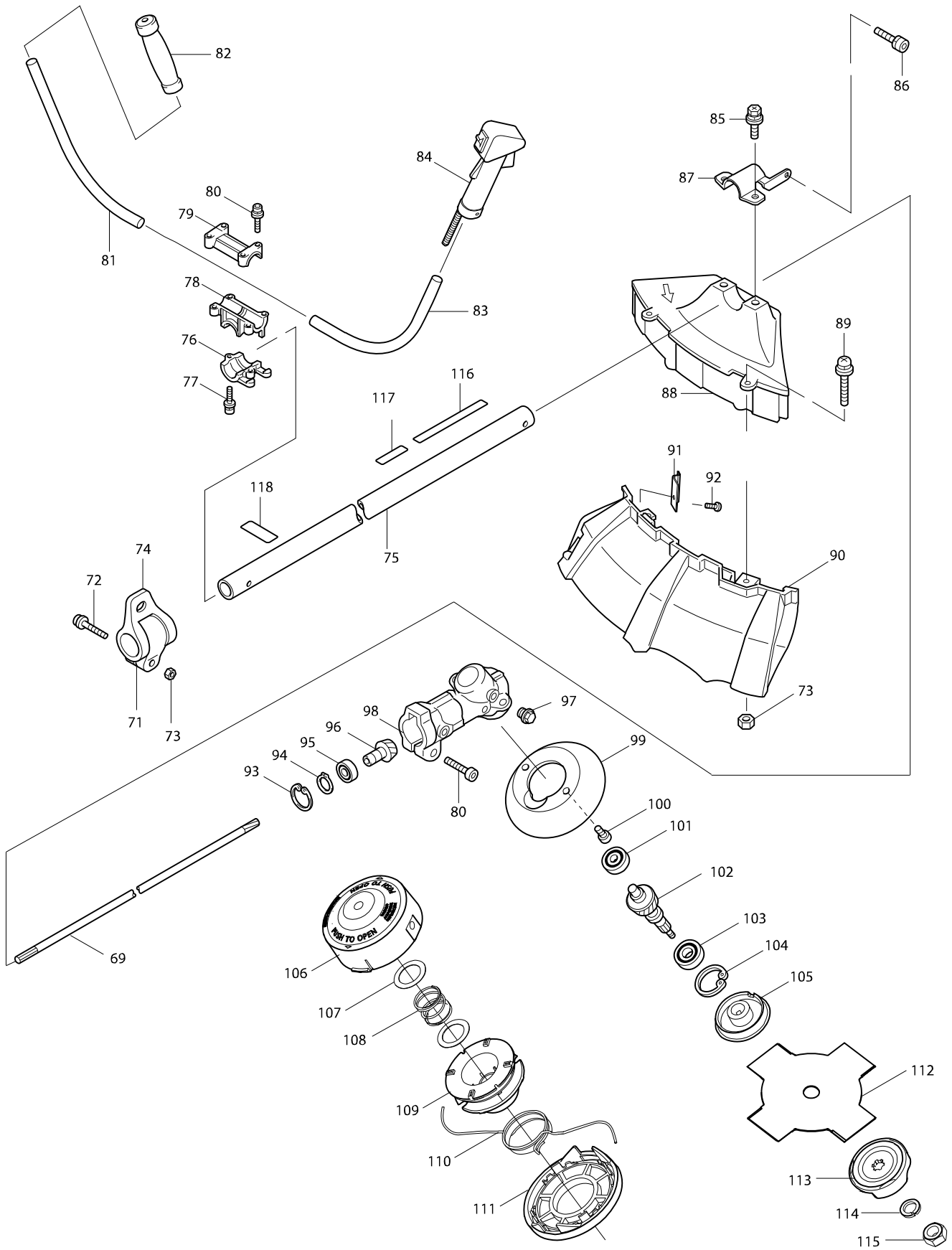


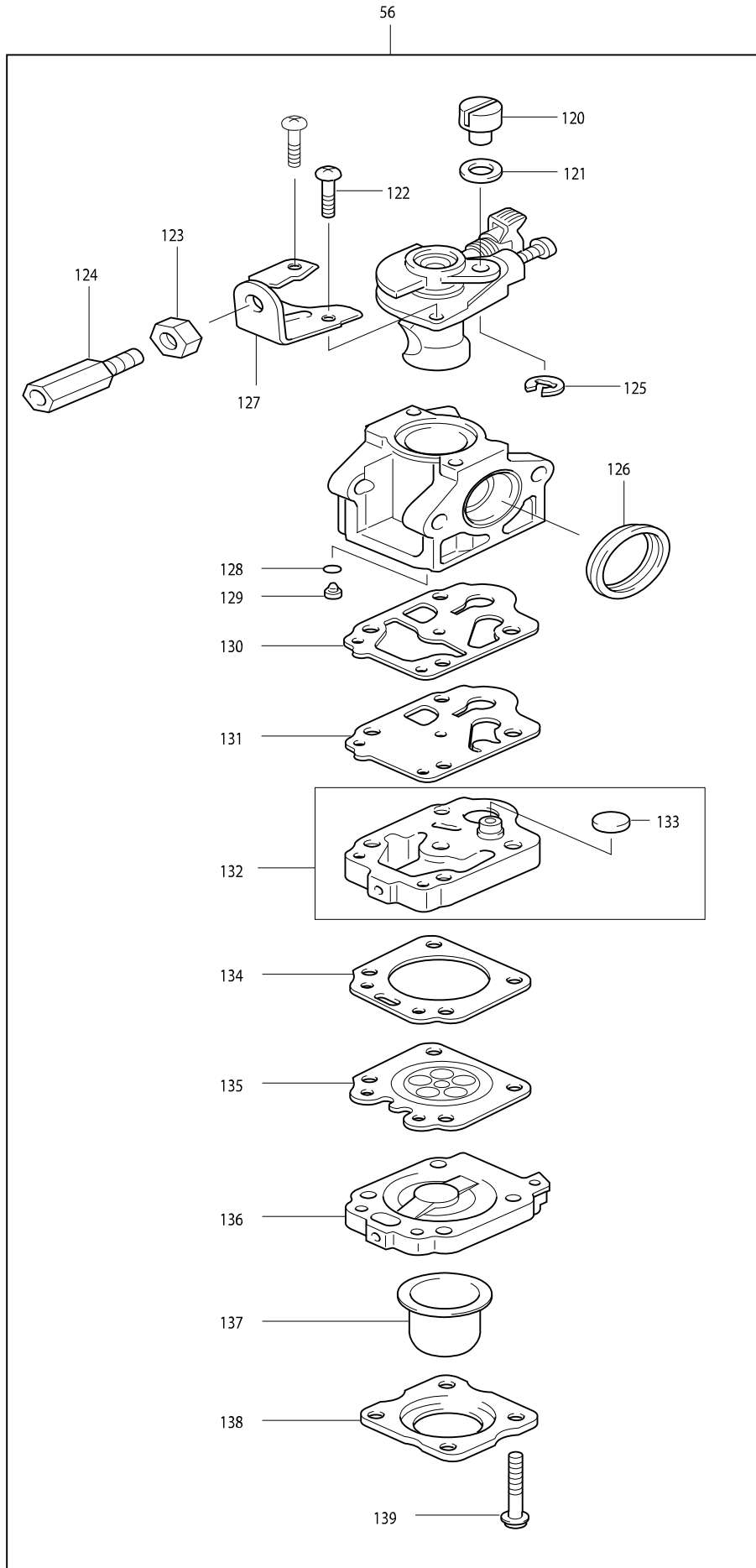
Model No. EM2500U BRUSH CUTTER



Model No. EM2500U BRUSH CUTTER



Model No. EM2500U BRUSH CUTTER



Model No. EM2500U BRUSH CUTTER

| Item | Parts No. | Description | I/C | QTY | N/O | Opt. 1 | Opt. 2 | NOTE |
|-------|------------|------------------------|-----|-----|-----|--------|--------|------|
| 001 | DA00000062 | STARTER,REWIND ASS'Y | | 1 | | | | |
| 002 | DA00000063 | PULLEY | | 1 | | | | |
| 003 | DA00000064 | OIL SEAL | | 1 | | | | |
| 004 | DA00000065 | CRANKCASE 2 ASS'Y | | 1 | | | | |
| D10 | | INC. 3,5 | | | | | | |
| 005 | DA00000066 | BALL BEARING 6001C3 | | 1 | | | | |
| 006 | DA00000067 | SOCKET HEAD BOLT M5X45 | | 2 | | | | |
| 007 | DA00000068 | MUFFLER | | 1 | | | | |
| 008 | DA00000069 | MUFFLER GASKET | | 1 | | | | |
| 009 | DA00000070 | DAMPER | | 2 | | | | |
| 010 | DA00000071 | CLIP | | 2 | | | | |
| 011 | DA00000072 | PISTON PIN | | 1 | | | | |
| 012 | DA00000073 | NEEDLE BEARING 8 | | 1 | | | | |
| 013 | DA00000074 | PISTON | | 1 | | | | |
| 014 | DA00000075 | PISTON RING | | 1 | | | | |
| 015 | DA00000076 | CRANKSHAFT COMPLETE | | 1 | | | | |
| 016 | DA00000077 | WOODRUFF KEY | | 1 | | | | |
| 017 | DA00000078 | CYLINDER GASKET | | 1 | | | | |
| 018 | DA00000079 | CYLINDER | | 1 | | | | |
| 019 | DA00000080 | SOCKET HEAD BOLT M5X20 | | 2 | | | | |
| 020 | DA00000081 | CYLINDER COVER | | 1 | | | | |
| 021 | DA00000082 | TAPPING SCREW 5X14 | | 1 | | | | |
| 022 | DA00000083 | IGNITION COIL | | 1 | | | | |
| 023 | DA00000084 | SCREW ASS'Y M4X20 | | 2 | | | | |
| 024 | DA00000085 | SPARK PLUG | | 1 | * | | | |
| 024-1 | 168648-5 | SPARK PLUG (BPMR7A) | O | 1 | | | | |
| 025 | DA00000086 | CRANKCASE GASKET | | 1 | | | | |
| 026 | DA00000066 | BALL BEARING 6001C3 | | 1 | | | | |
| 027 | DA00000087 | CRANKCASE 1 ASS'Y | | 1 | | | | |
| D10 | | INC. 26,70 | | | | | | |
| 028 | DA00000088 | SCREW M5X25 | | 5 | | | | |
| 029 | DA00000089 | FLYWHEEL | | 1 | | | | |
| 030 | DA00000090 | CLUTCH ASS'Y | | 1 | | | | |
| 031 | DA00000091 | CLUTCH DRUM COMPLETE | | 1 | | | | |
| 032 | DA00000092 | OUTER SNAP RING | | 1 | | | | |
| 033 | DA00000093 | PLATE | | 1 | | | | |
| 034 | DA00000094 | PLATE | | 1 | | | | |
| 035 | DA00000095 | CLUTCH CASE COMPLETE | | 1 | | | | |
| 036 | DA00000096 | SCREW & WASHER ASS'Y | | 4 | | | | |
| 037 | DA00000097 | PIPE DAMPER 1 | | 1 | | | | |
| 038 | DA00000098 | PIPE DAMPER 2 | | 1 | | | | |
| 039 | DA00000099 | PIPE BRACKET 1 | | 1 | | | | |
| 040 | DA00000100 | PIPE BRACKET 2 | | 1 | | | | |
| 041 | DA00000101 | SOCKET HEAD BOLT M5X18 | | 2 | | | | |
| 042 | DA00000102 | CLAMP | | 1 | | | | |
| 043 | DA00000103 | CLEANER PLATE COMPLETE | | 1 | | | | |
| 044 | DA00000104 | SPACER | | 2 | | | | |
| 045 | DA00000105 | AIR CLEANER ELEMENT | | 1 | | | | |

Model No. EM2500U BRUSH CUTTER

| Item | Parts No. | Description | I/C | QTY | N/O | Opt. 1 | Opt. 2 | NOTE |
|-------|------------|-----------------------------|-----|-----|-----|--------|--------|------|
| 046 | DA00000106 | PLATE | | 1 | | | | |
| 048 | DA00000107 | PAN HEAD SCREW M5X63 | | 2 | | | | |
| 049 | DA00000108 | AIR CLEANER CASE | | 1 | | | | |
| 050 | DA00000109 | SCREW ASS'Y M5X14 | | 1 | | | | |
| 051 | DA00000110 | INSULATOR GASKET | | 2 | | | | |
| 052 | DA00000111 | CARBURETOR INSULATOR | | 1 | | | | |
| 053 | DA00000112 | INSULATOR COMPLETE | | 1 | | | | |
| 054 | DA00000113 | WIRE | | 1 | | | | |
| 055 | DA00000114 | GASKET SPACER | | 1 | | | | |
| 056 | DA00000115 | CARBURETOR | | 1 | | | | |
| D10 | | INC. 120-132,134-139 | | | | | | |
| 057 | DA00000116 | TUBE S | | 1 | | | | |
| 058 | DA00000117 | TUBE L | | 1 | | | | |
| 059 | DA00000118 | GROMMET | | 1 | | | | |
| 060 | DA00000119 | FILTER | | 1 | | | | |
| 061 | DA00000120 | HOSE CLAMP | | 1 | | | | |
| 062 | DA00000121 | FUEL TANK | | 1 | | | | |
| 063 | DA00000122 | FUEL TANK CAP COMPLETE | | 1 | | | | |
| 064 | DA00000123 | BOLT ASS'Y | | 1 | | | | |
| 065 | DA00000124 | SCREW ASS'Y M5X18(W,SW) | | 4 | | | | |
| 066 | DA00000125 | LABEL | | 1 | | | | |
| 067 | DA00000366 | TRADE MARK LABEL | | 1 | | | | |
| 068 | DA00000127 | MODEL LABEL | | 1 | | | | |
| 069 | DA00000128 | SHAFT | | 1 | | | | |
| 070 | DA00000064 | OIL SEAL | | 1 | | | | |
| 071 | DA00000129 | HANGER STOPPER | | 1 | | | | |
| 072 | DA00000096 | SCREW & WASHER ASS'Y | | 1 | | | | |
| 073 | DA00000130 | NUT M5 | | 3 | | | | |
| 074 | DA00000131 | HANGER | | 1 | | | | |
| 075 | DA00000132 | SHAFT PIPE ASS'Y | | 1 | | | | |
| 076-1 | DA00000135 | HANDLE HOLDER 2 | | 1 | | | | |
| 077 | DA00000134 | HEX. SOCKET HEAD BOLT M5X30 | | 2 | | | | |
| 078-1 | DA00000133 | HANDLE HOLDER 3 | | 1 | | | | |
| 079 | DA00000136 | HANDLE HOLDER 1 | | 1 | | | | |
| 080 | DA00000137 | SOCKET HEAD BOLT M5X25 | | 5 | | | | |
| 081 | DA00000138 | HANDLE | | 1 | | | | |
| 082 | DA00000139 | GRIP | | 1 | | | | |
| 083 | DA00000140 | HANDLE | | 1 | | | | |
| 084 | DA00000141 | CONTROL LEVER ASSY | | 1 | * | | | |
| 084-1 | DA00000141 | CONTROL LEVER ASSY | O | 1 | | | | |
| C05 | DA00000793 | LOWER COVER | | 1 | | | | |
| C10 | DA00000792 | UPPER COVER | | 1 | | | | |
| C15 | DA00000806 | SCREW M6*30 | | 1 | | | | |
| C20 | DA00000799 | STOP BUTTON | | 1 | | | | |
| C25 | DA00000794 | SPRING1 | | 1 | | | | |
| C30 | DA00000986 | SPLIT WASHER | | 1 | | | | |
| C35 | DA00000803 | SHIP TYPE SWITCH | | 1 | | | | |
| C40 | DA00000795 | SPRING2 | | 1 | | | | |

Model No. EM2500U BRUSH CUTTER

| Item | Parts No. | Description | I/C | QTY | N/O | Opt. 1 | Opt. 2 | NOTE |
|-------|------------|-------------------------------|-----|-----|-----|--------|--------|------|
| C45 | DA00000796 | SPRING3 | | 1 | | | | |
| C50 | DA00000798 | SAFETY TRIGGER | | 1 | | | | |
| C55 | DA00000797 | THROTTLE TRIGGER | | 1 | | | | |
| C60 | DA00000807 | M6 NUT | | 1 | | | | |
| C65 | DA00000804 | SCREW 3*12 | | 7 | | | | |
| C70 | DA00000800 | BELLOWS 7*11 | | 1 | | | | |
| C75 | DA00000802 | THROTTLE CABLE | | 1 | | | | |
| C80 | DA00000801 | FLAMEOUT WIRE | | 1 | | | | |
| 085 | DA00000142 | CROSSRECESS BOLT M6X23 | | 2 | | | | |
| 086 | DA00000143 | SOCKET HEAD BOLT M5X14 (W,SW) | | 1 | | | | |
| 087 | DA00000144 | PROTECTOR CLAMP | | 1 | | | | |
| 088 | DA00000145 | PROTECTOR ASSY | | 1 | * | | | |
| 088-1 | DA00000525 | PROTECTOR ASSY | S | 1 | | | | |
| 089 | DA00000146 | SCREW ASSEMBLY M5X40 | | 1 | | | | |
| 090 | DA00000147 | PROTECTOR | | 1 | * | | | |
| 090-1 | DA00000526 | PROTECTOR | S | 1 | | | | |
| 091 | DA00000148 | CUTTER | | 1 | | | | |
| 092 | DA00000149 | TAPPING SCREW, ST5X25 | | 1 | | | | |
| 093 | DA00000150 | INNER SNAP RING | | 1 | | | | |
| 094 | DA00000151 | OUTER SNAP RING | | 1 | | | | |
| 095 | DA00000152 | BALL BEARING #609ZZ | | 1 | | | | |
| 096 | DA00000153 | GEAR | | 1 | | | | |
| 097 | DA00000154 | OIL BOLT M6X8 | | 1 | | | | |
| 098 | DA00000155 | GEAR CASE | | 1 | | | | |
| 099 | DA00000156 | GUARD | | 1 | | | | |
| 100 | DA00000157 | SCREW ASSEMBLY,M5X25 | | 2 | | | | |
| 101 | DA00000158 | BALL BEARING 626ZZ | | 1 | | | | |
| 102 | DA00000159 | CUTTER SHAFT SET | | 1 | | | | |
| 103 | DA00000160 | BALL BEARING 6000DDU | | 1 | | | | |
| 104 | DA00000161 | INNER SNAP RING | | 1 | | | | |
| 105 | DA00000162 | RECEIVE WASHER | | 1 | | | | |
| 106 | DA00000163 | CUTTER BODY | | 1 | | | | |
| 107 | DA00000164 | SPRING SEAT | | 2 | | | | |
| 108 | DA00000165 | SPRING | | 1 | | | | |
| 109 | DA00000166 | REEL | | 1 | | | | |
| 110 | DA00000167 | NYLON LINE | | 1 | | | | |
| 111 | DA00000168 | BODY CAP | | 1 | | | | |
| 112 | DA00000169 | CUTTER | | 1 | | | | |
| 113 | DA00000170 | WASHER CLAMP COMPL | | 1 | | | | |
| 114 | DA00000171 | SPRING WASHER | | 1 | | | | |
| 115 | DA00000172 | NUT | | 1 | | | | |
| 116 | DA00000369 | CAUTION LABEL | | 1 | | | | |
| 118 | DA00000174 | CAUTION LABEL | | 1 | | | | |
| 120 | 325922-6 | SWIVEL | | 1 | * | | | |
| 121 | 413140-9 | WASHER | | 1 | * | | | |
| 122 | 266704-6 | PAN HEAD SCREW M3X10 | | 2 | * | | | |
| 123 | 264065-8 | CABLE ADJUST NUT M6 | | 1 | | | | |
| 124 | 326084-3 | CABLE ADJUST SCREW M6X13 | | 1 | | | | |

Model No. EM2500U BRUSH CUTTER

| Item | Parts No. | Description | I/C | QTY | N/O | Opt. 1 | Opt. 2 | NOTE |
|------|------------|---------------------------|-----|-----|-----|--------|--------|------|
| 125 | 257964-1 | STOP RING E-3 | | 1 | * | | | |
| 126 | 424444-4 | PACKING RING | | 1 | * | | | |
| 127 | 346491-4 | BRACKET CABLE | | 1 | * | | | |
| 128 | 213538-8 | O RING 2 | | 1 | * | | | |
| 129 | 326086-9 | JET | | 1 | * | | | |
| 130 | 442172-9 | PUMP GASKET | | 1 | * | | | |
| 131 | 168575-6 | PUMP DIAPHRAGM | | 1 | * | | | |
| 132 | 140989-1 | PUMP BODY ASSEMBLY | | 1 | * | | | |
| D10 | | INC. 133 | | | * | | | |
| 133 | DA00000175 | INLET SCREEN | | 1 | * | | | |
| 134 | 442154-1 | METERING DIAPHRAGM GASKET | | 1 | * | | | |
| 135 | 168574-8 | METERING DIAPHRAGM | | 1 | * | | | |
| 136 | 140988-3 | AIR PURGE BODY ASSEMBLY | | 1 | * | | | |
| 137 | 424314-7 | PRIMER PUMP | | 1 | * | | | |
| 138 | 346270-0 | PRIMER PUMP COVER | | 1 | * | | | |
| 139 | 266582-4 | TAPPING SCREW 3X24 | | 4 | * | | | |
| 140 | DA00000324 | GEAR CASE ASSEMBLY | | 1 | | | | |
| D10 | | INC. 80,93-105,113-115 | | | | | | |
| 141 | DA00000454 | NYLON CORD SET | | 1 | | | | |
| D10 | | INC. 106-111 | | | | | | |
| | | | | | | | | |
| | | | | | | | | |
| | | | | | | | | |
| | | | | | | | | |
| | | | | | | | | |
| | | | | | | | | |
| | | | | | | | | |
| | | | | | | | | |
| | | | | | | | | |
| | | | | | | | | |
| | | | | | | | | |
| | | | | | | | | |
| | | | | | | | | |
| | | | | | | | | |
| | | | | | | | | |
| | | | | | | | | |
| | | | | | | | | |
| | | | | | | | | |
| | | | | | | | | |
| | | | | | | | | |
| | | | | | | | | |
| | | | | | | | | |
| | | | | | | | | |
| | | | | | | | | |
| | | | | | | | | |
| | | | | | | | | |
| | | | | | | | | |
| | | | | | | | | |
| | | | | | | | | |
| | | | | | | | | |
| | | | | | | | | |
| | | | | | | | | |
| | | | | | | | | |
| | | | | | | | | |
| | | | | | | | | |
| | | | | | | | | |
| | | | | | | | | |
| | | | | | | | | |
| | | | | | | | | |
| | | | | | | | | |
| | | | | | | | | |
| | | | | | | | | |
| | | | | | | | | |