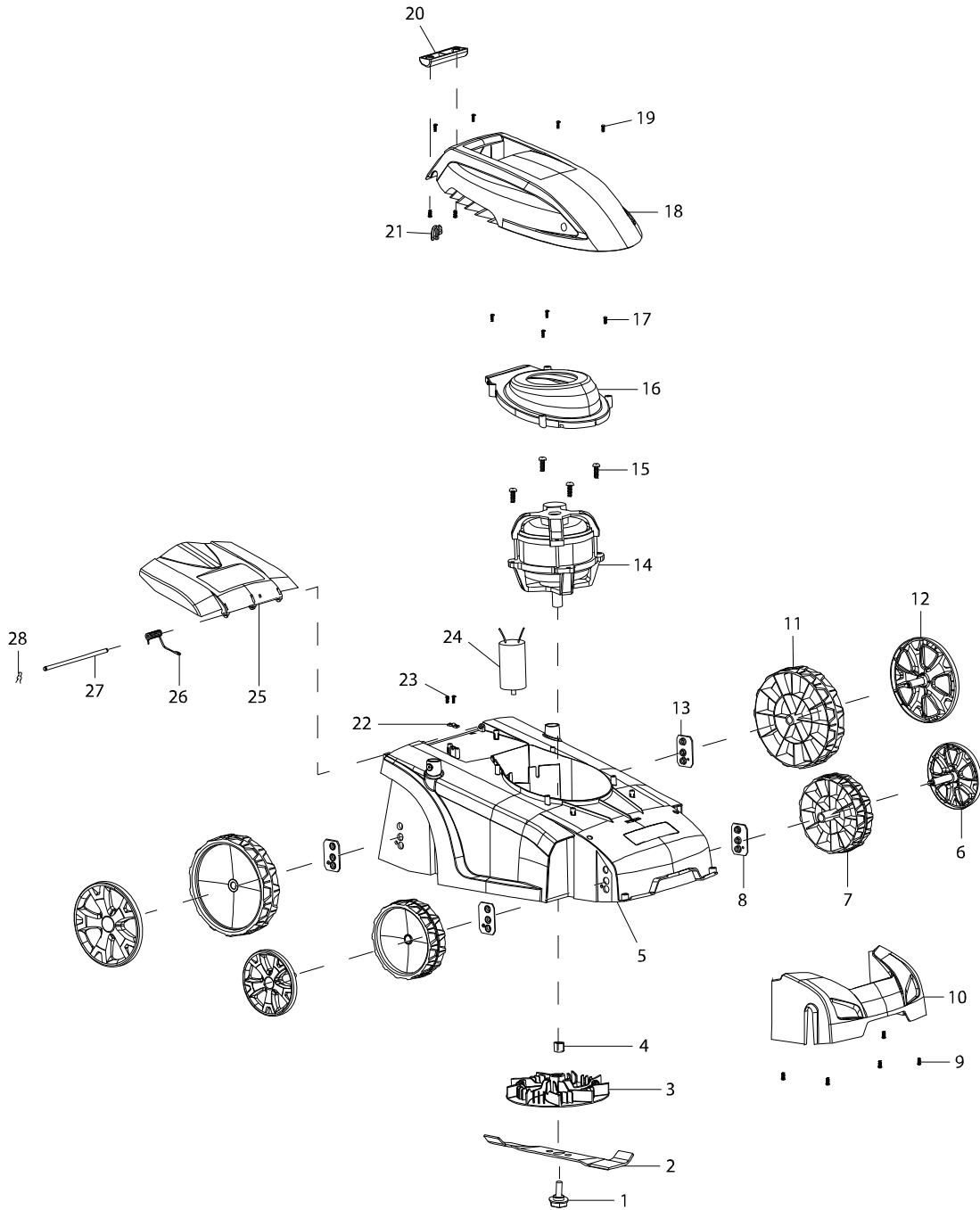
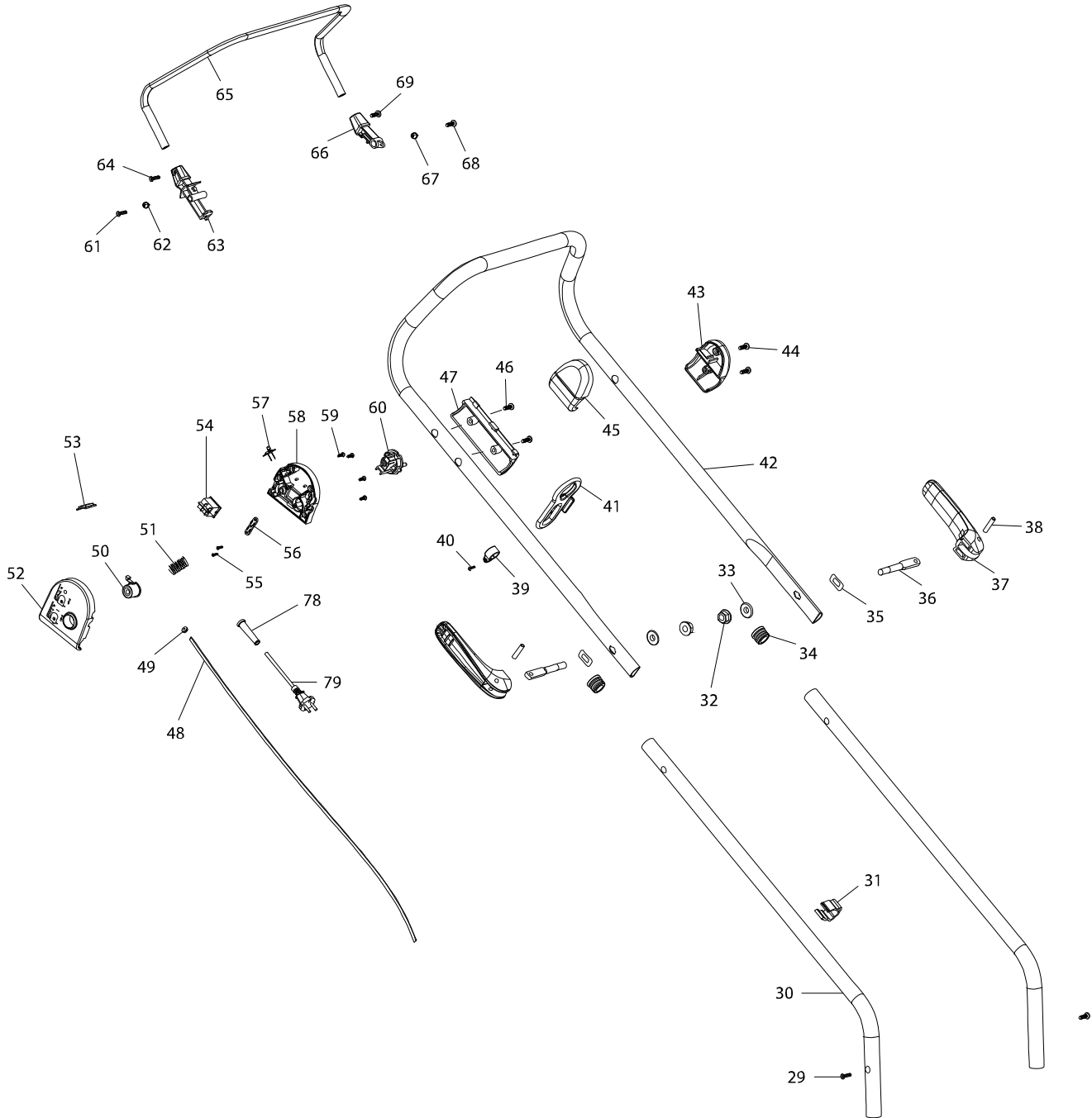


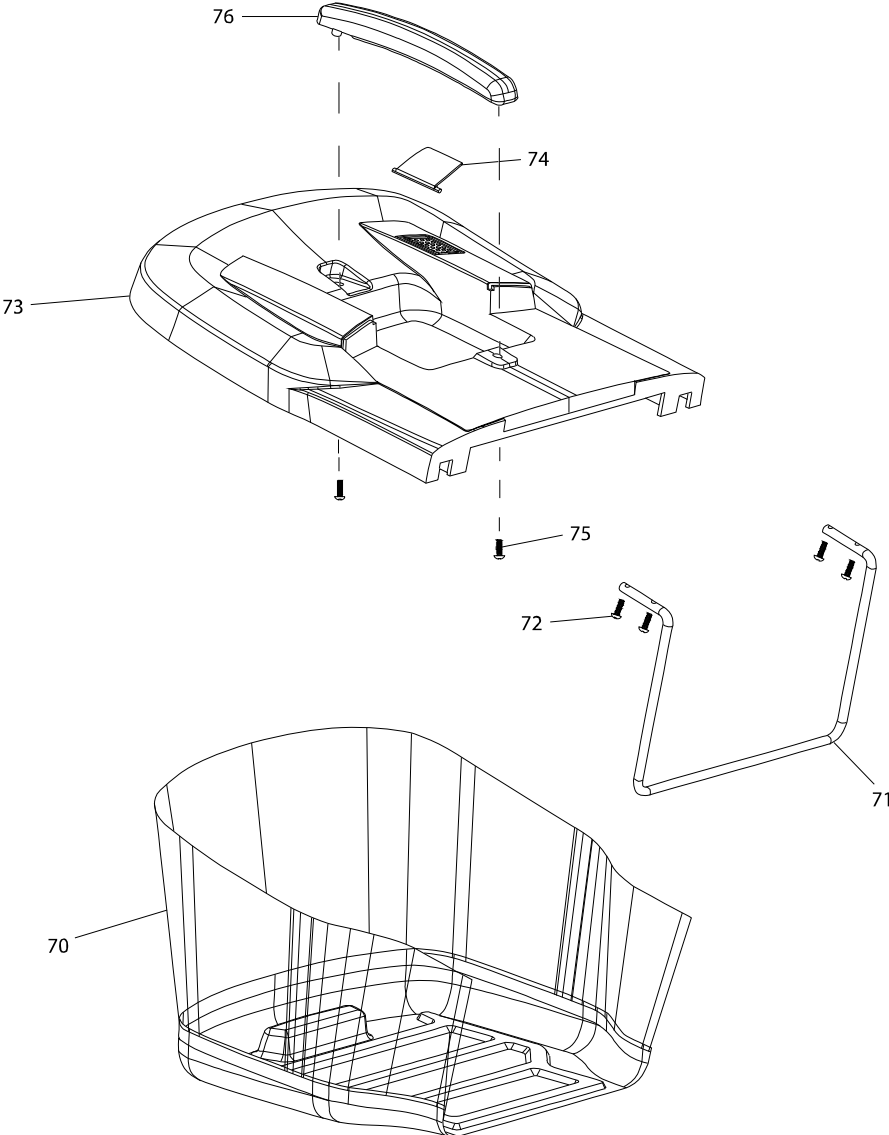
Model No. ELM3711 370MM LAWN MOWER



Model No. ELM3711 370MM LAWN MOWER



Model No. ELM3711 370MM LAWN MOWER



Model No. ELM3711 370MM LAWN MOWER

Item	Parts No.	Description	I/C	QTY	N/O	Opt. 1	Opt. 2	NOTE
001	671100802	BLADE TIGHTEN BOLT M10*1.35*40		1				
002	671002549	BLADE		1				
003	DA00000808	MOTOR CENTRIFUGAL CUTTER		1				
004	671002036	CENTRIFUGAL CUTTER BUSHING		1				
005	671981001	DECK		1				
006	671003028	5.5" WHEEL COVER		2				
007	671919001	5.5" WHEEL		2				
008	671002281	THREAD PRESSING PLATE		2				
009	671107301	SELF-TAPPING SCREW ST4*16		5				
010	671980001	HEAD COVER		1				
011	671920001	7" WHEEL		2				
012	671003029	7" WHEEL COVER		2				
013	671002281	THREAD PRESSING PLATE		2				
014	DA00000823	MOTOR		1				
015	671001053	SELF-TAPPING SCREW ST6*30		4				
016	671983001	MOTOR WIND GUIDE COVER		1				
017	671107301	SELF-TAPPING SCREW ST4*16		4				
018	671982001	MOTOR COVER		1				
019	671107301	SELF-TAPPING SCREW ST4*16		6				
020	671984001	MOTOR COVER HANDLE		1				
021	DA00000810	CONNECTION CABLE SHEATH		1				
022	671010230	CABLE PRESSING PLATE		1				
023	671107301	SELF-TAPPING SCREW ST4*16		2				
024	671003060	CAPACITOR		1				
025	671987001	REAR FLAP		1				
026	671011214	SPRING OF REAR FLAP		1				
027	671010790	FIXED SHAFT OF REAR FLAP		1				
028	671090005	CLAMP PIN		1				
029	671001046	SELF-TAPPING SCREW ST4.8*19		2				
030	671001712	LOWER HANDLE BAR		2				
031	671277001	CABLE CLAMP		1				
032	671050160	LID SHAPE SCREW M6*11		2				
033	671007007	FLAT WASHER M8		2				
034	DA00000811	TUBE PLUG		2				
035	DA00000812	PRESSING TIGHTEN PLATE		2				
036	671002466	TIGHTEN LOCKING BOLT M6*62		2				
037	671431001	ADJUSTMENT SELF-LOCKING HANDL		2				
038	671090040	COLUMN PIN		2				
039	671108303	BLOCK RING		1				
040	DA00000826	SELF-DRIVING SCREW ST4*12		1				
041	671001052	COIL OF CABLE HITCH		1				
042	671016150	UPPER HANDLE BAR		1				
043	671073001	HANDLE SUPPORT(LEFT)		1				
044	671107301	SELF-TAPPING SCREW ST4*16		2				
045	671074001	HANDLE SUPPORT(RIGHT)		1				
046	671107301	SELF-TAPPING SCREW ST4*16		2				
047	671428001	PRESSING PLATE OF SWITCH BOX		1				
048	DA00000824	CONNECTION CABLE		1				

