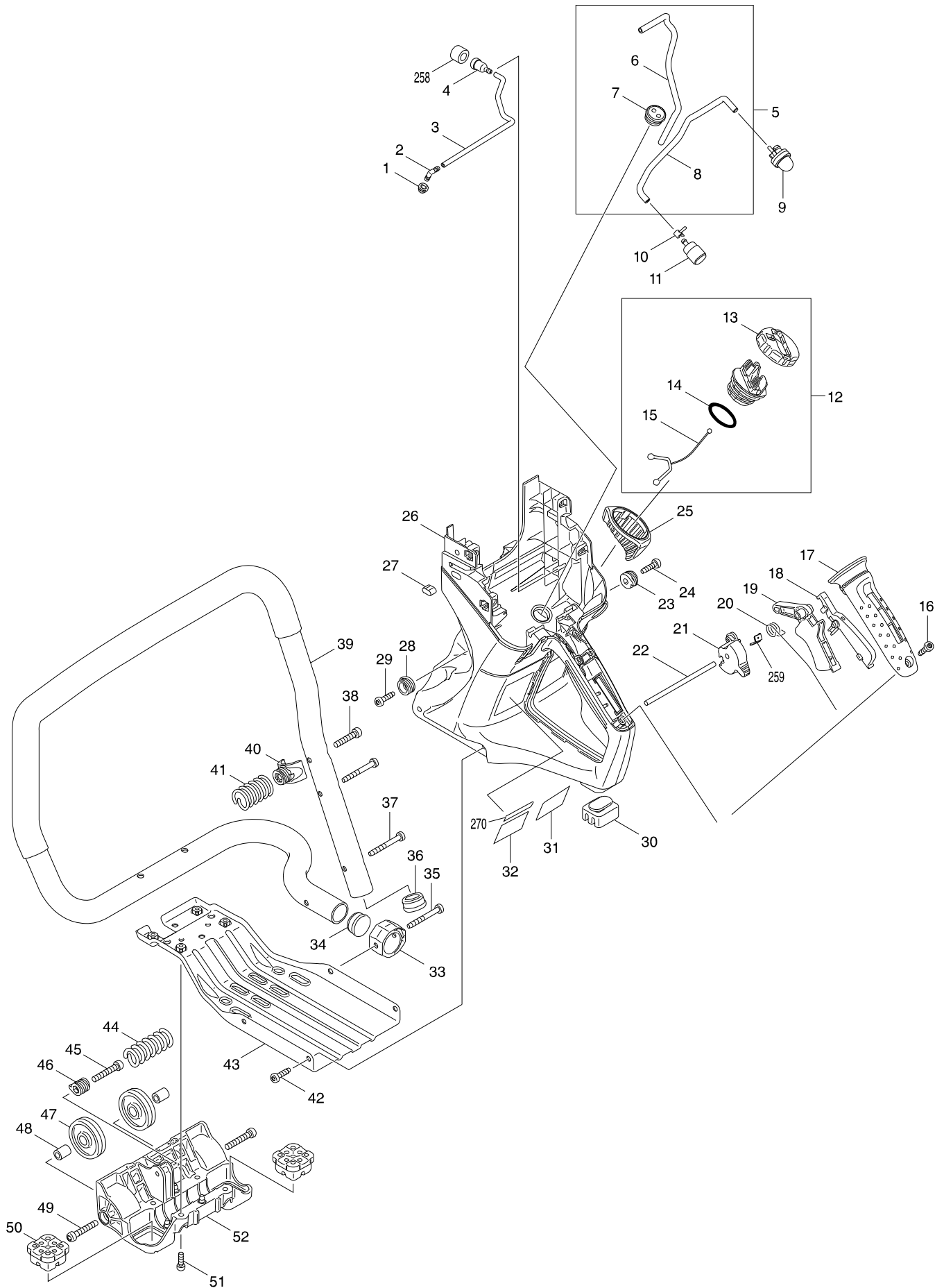
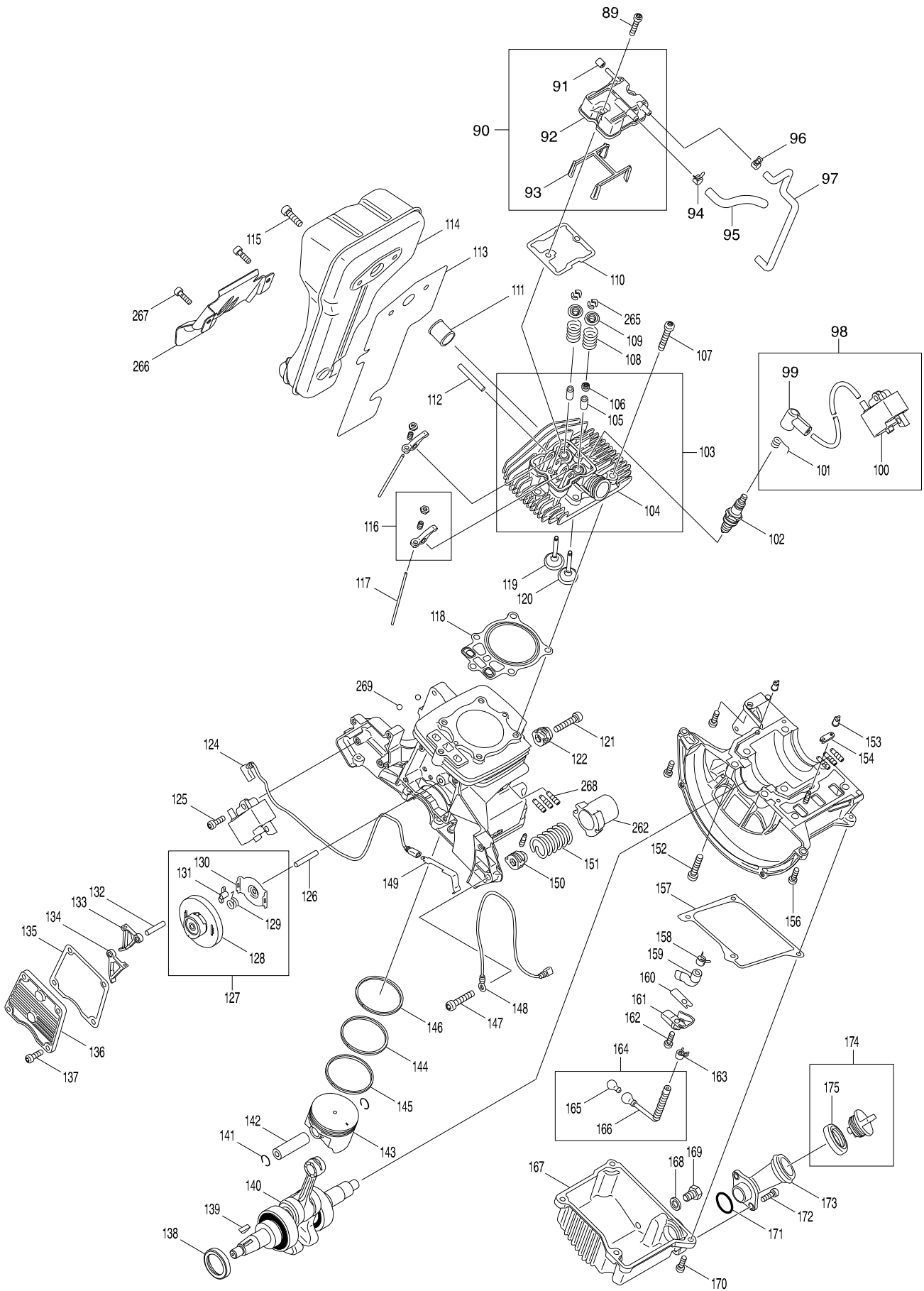


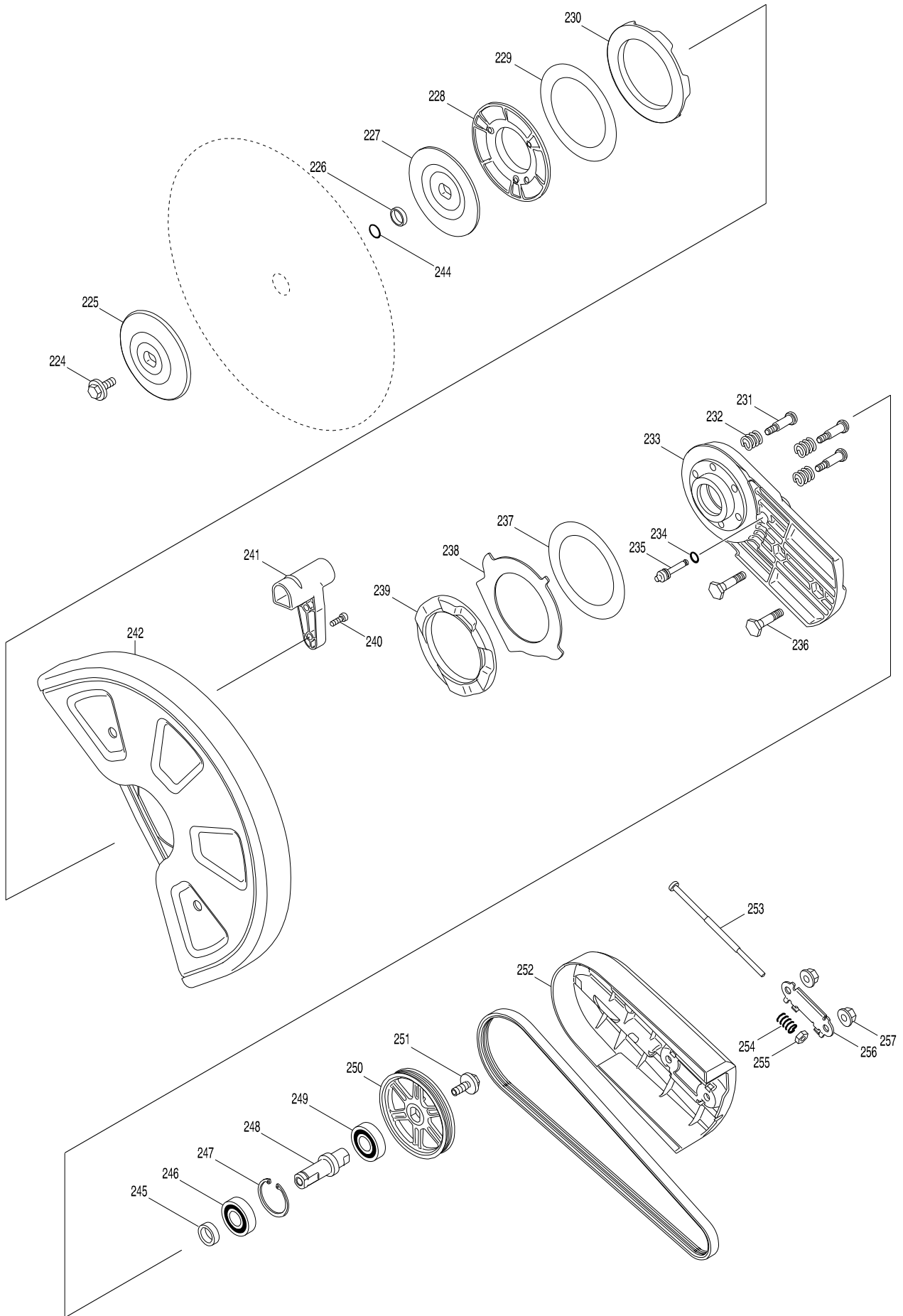
Model No. EK7651H POWER CUTTER



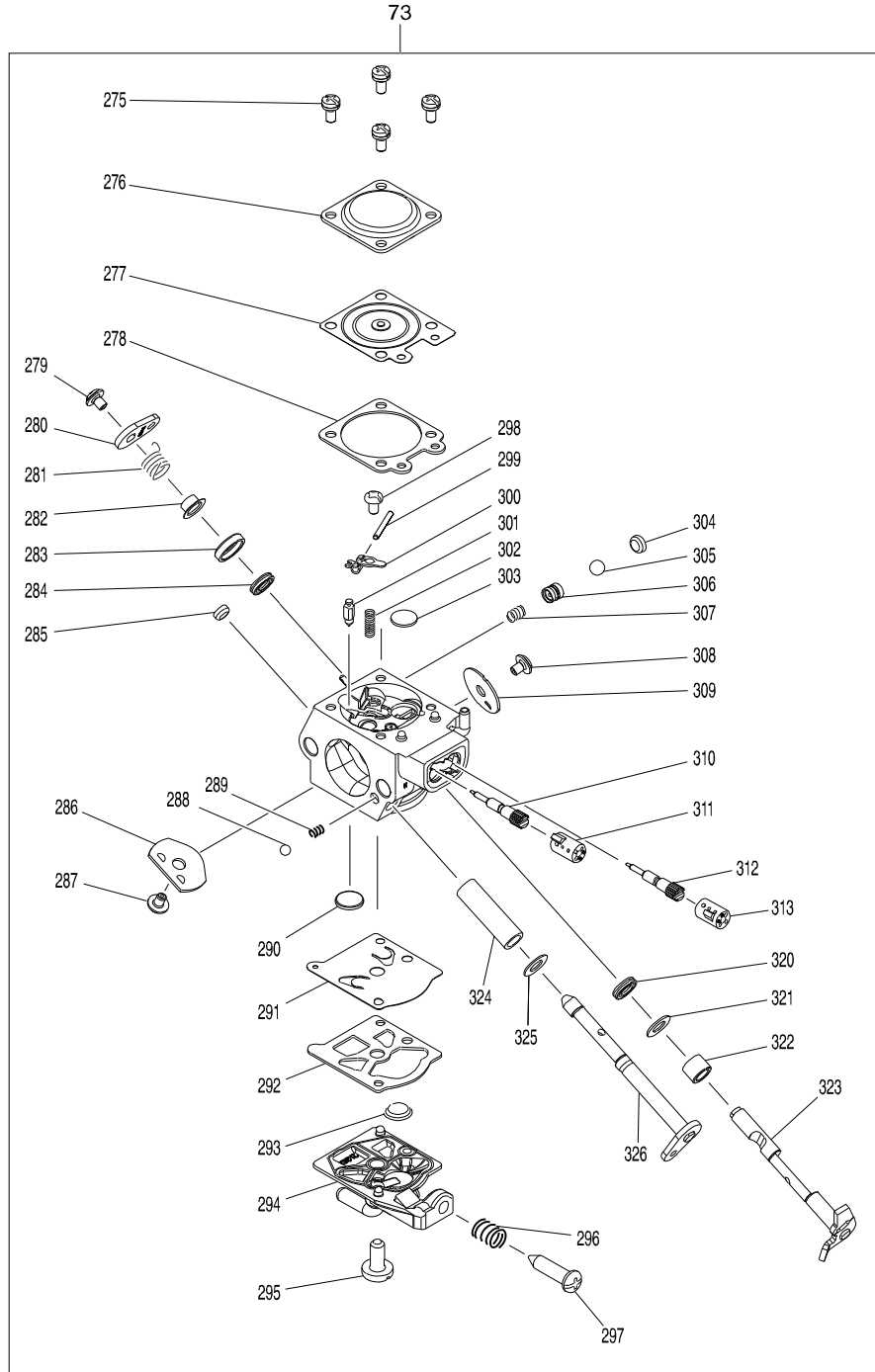
Model No. EK7651H POWER CUTTER



Model No. EK7651H POWER CUTTER



Model No. EK7651H POWER CUTTER



Model No. EK7651H POWER CUTTER

Item	Parts No.	Description	I/C	QTY	N/O	Opt. 1	Opt. 2	NOTE
001	421875-8	GROMMET		1				
002	452800-8	HOSE JOINT 4-4		1				
003	422083-4	TUBE 3-190		1				
004	168396-6	BREATHER		1				
005	142150-6	TUBE COMPLETE		1				
D10		INC. 6-8						
006	422074-5	TUBE 3-120		1				
007	424101-4	GROMMET		1				
008	422119-9	TUBE 3-300		1				
009	168398-2	PRIMER PUMP		1				
010	324616-0	HOSE CLAMP		1				
011	163447-0	FUEL FILTERLTER		1	*			
011-1	163447-0	FUEL FILTERLTER	O	1				
012	140831-6	TANK CAP COMPLETE		1				
D10		INC. 13-15						
013	452697-5	TANK CAP KNOB		1				
014	213080-9	O RING 29.5		1	*			
014-1	213831-0	O-RING 29.5	<	1				
015	450957-9	STRAP		1				
016	266475-5	TAPPING SCREW TORX 5.5X20		1				
017	452736-1	GRIP COVER		1				
018	452722-2	LOCK OFF LEVER		1				
019	452721-4	THROTTLE LEVER		1				
020	233590-0	TORSION SPRING 12		1				
021	452723-0	SWITCH LEVER		1				
022	256520-4	ROD 5		1				
023	452742-6	REAR INNER HOLDER		1				
024	266475-5	TAPPING SCREW TORX 5.5X20		1				
025	424408-8	TANK GUARD		1				
026	140774-2	TANK COMPLETE		1				
C10	898274-3	INDICATION LABEL		1				
C20	264066-6	SQUARE NUT M5-10		4				
027	424583-0	PLUG		1				
028	452742-6	REAR INNER HOLDER		1				
029	266475-5	TAPPING SCREW TORX 5.5X20		1				
030	424404-6	REAR FOOT		1				
031	869686-7	EK7651H NAME PLATE		1	*			
031-1	850G00-0	EK7651H NAME PLATE	O	1				
033	452737-9	CLAMP		1				
034	424410-1	RUBBER CAP		1				
035	266687-0	TAPPING SCREW 5.5X45		1				
036	424410-1	RUBBER CAP		1				
037	266687-0	TAPPING SCREW 5.5X45		2				
038	266659-5	H.L. SOCKET HEAD BOLT M6X30		1				
039	331940-4	FRONT HANDLE		1				
040	452741-8	CENTER OUTER HOLDER		1				
041	234214-1	COMPRESSION SPRING 16		1				
042	266475-5	TAPPING SCREW TORX 5.5X20		3				

Model No. EK7651H POWER CUTTER

Item	Parts No.	Description	I/C	QTY	N/O	Opt. 1	Opt. 2	NOTE
043	346433-8	BOTTOM PLATE		1				
044	234213-3	COMPRESSION SPRING 13		1				
045	266659-5	H.L. SOCKET HEAD BOLT M6X30		1				
046	452740-0	FRONT INNER HOLDER		1				
047	318727-1	ROLLER 45		2				
048	257972-2	SLEEVE 6.5		2				
049	266660-0	H.L. SOCKET HEAD BOLT M6X35		2				
050	424405-4	FRONT FOOT		2				
051	266652-9	H.L. SOCKET HEAD BOLT M5X16		4	*			
051-1	266849-0	H.L.SOCKET HEAD BOLT M5X16	O	4				
052	318712-4	GUARD		1				
053	140903-7	TOP COVER COMPLETE		1				
D10		INC. 54						
054	266692-7	THUMB SCREW M6X15		1				
056	141040-0	FILTER COVER COMPLETE		1				
C10	893210-4	CAUTION LABEL		1				
C20	893211-2	CAUTION LABEL		1				
D10		INC. 57,58						
057	424409-6	PLUG COVER		1				
058	424417-7	PACKING		1				
061	266656-1	H.L. SOCKET HEAD BOLT M5X40		4				
062	442165-6	AIR FILTER		1				
063	424399-3	INNER FILTER		1				
064	266127-8	+ TAPPING SCREW PT 3X20		2				
065	452739-5	SEPARATER COVER		1				
066	213459-4	O RING 32		1				
067	352012-2	SEPARATOR MESH		1				
068	266657-9	H.L. SOCKET HEAD BOLT M5X45		2				
069	452720-6	FILTER BRACKET		1				
070	442166-4	CARBURETOR GASKET		1				
071	326040-3	THROTTLE LINKAGE		1				
072	424407-0	RUBBER JOINT		1				
073	168653-2	CARBURETOR WT		1				
D10		INC. 275-293,296-313,320-326						
074	326041-1	CHOKE LINKAGE		1				
075	422077-9	TUBE 3-190		1				
076	422080-0	TUBE 3-35		1				
077	452952-5	HOSE JOINT		1				
078	422079-5	TUBE 3-45		1				
079	424418-5	SEAL		1				
080	422082-6	TUBE 3-130		1				
081	422081-8	TUBE 3-75		1				
082	452951-7	HOSE JOINT 4-4		1				
083	452799-7	HOSE JOINT 4-6		1				
084	452799-7	HOSE JOINT 4-6		1				
085	346397-6	GUIDE RING		1				
086	452724-8	CARBURETOR MOUNT		1				
087	424397-7	SUCTION LINE		1				

Model No. EK7651H POWER CUTTER

Item	Parts No.	Description	I/C	QTY	N/O	Opt. 1	Opt. 2	NOTE
088	346495-6	HOSE CLAMP 30		1				
089	266654-5	H.L. SOCKET HEAD BOLT M5X25		2	*			
089-1	266852-1	H.L.SOCKET HEAD BOLT M5X25	O	2				
090	140898-4	ROCKER COVER COMPLETE		1				
D10		INC. 91-93						
091	422073-7	TUBE 3-8		1				
092	318708-5	ROCKER COVER		1				
093	452726-4	OIL LINE		1				
094	345918-1	HOSE CLAMP		1				
095	422078-7	TUBE 5-70		1				
096	345918-1	HOSE CLAMP		1				
097	422076-1	TUBE 3-170		1				
098	126006-1	IGNITION COIL ASSEMBLY		1				
D10		INC. 99-101						
099	424105-6	PLUG CAP		1				
100	125920-8	IGNITION COIL		1				
101	326148-3	PLUG CAP SPRING		1				
102	168652-4	SPARK PLUG		1				
103	125946-0	CYLINDER HEAD ASSEMBLY		1	*			
D10		INC. 104-106			*			
103-1	135752-5	CYLINDER HEAD ASSEMBLY	<	1	*			
C10	125946-0	CYLINDER HEAD ASSEMBLY		1	*			
D10		INC. 104-106,108,109,112			*			
D20		INC. 116,119,120,265			*			
103-2	135785-0	CYLINDER HEAD ASS'Y	S	1				
C10	123772-1	CYLINDER HEAD ASSEMBLY		1				
D10		INC. 104-106,108,109,112						
D20		INC. 116,119,120,265						
104	140928-1	CYLINDER HEAD COMPLETE		1	*			
104-1	144051-4	CYLINDER HEAD COMPLETE	S	1				
105	331969-0	VALVE GUIDE		2				
106	424424-0	VALVE STEM SEAL		1				
107	266660-0	H.L. SOCKET HEAD BOLT M6X35		5				
108	234212-5	COMPRESSION SPRING 11		2				
109	331966-6	RETAINER		2				
110	346400-3	ROCKER COVER GASKET		1	*			
110-1	161301-2	ROCKER COVER GASKET	<	1				
111	331937-3	EXHAUST PORT SPACER		1				
112	256201-0	PIN 5		1	*			
112-1	268310-3	PIN 5	O	1				
113	346399-2	MUFFLER GASKET		1				
114	168638-8	EXHAUST MUFFLER		1				
115	266693-5	H.L. SOCKET HEAD BOLT M6X18		3	*			
115-1	266693-5	H.L. SOCKET HEAD BOLT M6X18	<	3				
116	126005-3	ROCKER ARM ASSEMBLY		2				
117	256526-2	PUSH ROD		2				
118	442167-2	CYLINDER HEAD GASKET		1				
119	331965-8	EXHAUST VALVE		1				

Model No. EK7651H POWER CUTTER

Item	Parts No.	Description	I/C	QTY	N/O	Opt. 1	Opt. 2	NOTE
120	331964-0	INTAKE VALVE		1				
121	266659-5	H.L. SOCKET HEAD BOLT M6X30		1				
122	318729-7	CENTER INNER HOLDER		1				
123	140901-1	CYLINDER BLOCK COMPLETE		1	*			
123-1	123578-7	ENGINE BLOCK ASSY(FOR SERVICE)	<	1				
C10	140901-1	CYLINDER BLOCK COMPLETE		1				
D10		INC. 89,90,103,107,110,117,118						
D20		INC. 126,127,132-138,140-146						
D30		INC. 152-154,156-164,167-174						
D40		INC. 184,185						
124	638776-5	LEAD UNIT		1				
125	266652-9	H.L. SOCKET HEAD BOLT M5X16		2	*			
125-1	266849-0	H.L.SOCKET HEAD BOLT M5X16	O	2				
126	256200-2	PIN 5		1				
127	125934-7	CAM GEAR ASSEMBLY		1	*			
D10		INC. 128-131			*			
127-1	123299-1	CAM GEAR ASSEMBLY	<	1				
D10		INC. 128-131						
128	140817-0	CAM GEAR COMPLETE		1				
129	233582-9	TORSION SPRING 9		1	*			
129-1	233623-1	TORSION SPRING 9	<	1				
130	346434-6	CAM GEAR PLATE		1				
131	318707-7	FLY WEIGHT		1				
132	256186-0	PIN 5		1				
133	313209-8	CAM LIFTER L		1				
134	313210-3	CAM LIFTER R		1				
135	442168-0	CAM GEAR GASKET		1				
136	318725-5	CAM GEAR COVER		1				
137	266652-9	H.L. SOCKET HEAD BOLT M5X16		4	*			
137-1	266849-0	H.L.SOCKET HEAD BOLT M5X16	O	4				
138	213599-8	OIL SEAL 17		1	*			
138-1	213599-8	OIL SEAL 17	O	1				
139	254001-2	WOODRUFF KEY 4		1				
140	140900-3	CRANKSHAFT COMPLETE		1				
141	233995-4	RING SPRING 12		2				
142	326039-8	PISTON PIN		1				
143	318726-3	PISTON		1	*			
143-1	197457-5	PISTON SET	<	1				
C10	318726-3	PISTON		1				
D10		INC. 141,144						
144	257332-8	SECOND RING		1	*			
144-1	197458-3	PISTON RING SET	<	1				
145	257333-6	OIL RING		1	*			
146	257331-0	TOP RING		1	*			
147	266659-5	H.L. SOCKET HEAD BOLT M6X30		1				
148	638777-3	LEAD UNIT		1				
149	232268-2	CONTACT SPRING		1				
150	318730-2	REAR OUTER HOLDER		1				

Model No. EK7651H POWER CUTTER

Item	Parts No.	Description	I/C	QTY	N/O	Opt. 1	Opt. 2	NOTE
151	234214-1	COMPRESSION SPRING 16		1				
152	266659-5	H.L. SOCKET HEAD BOLT M6X30		8				
153	424201-0	CHECK VALVE		2				
154	424406-2	GROMMET		1				
156	266652-9	H.L. SOCKET HEAD BOLT M5X16		3	*			
156-1	266849-0	H.L.SOCKET HEAD BOLT M5X16	O	3				
157	452738-7	OIL CASE GASKET		1				
158	345918-1	HOSE CLAMP		1				
159	422084-2	TUBE 5-55		1				
160	346398-4	LEAD VALVE		1				
161	318709-3	RETAINER PLATE		1				
162	266652-9	H.L. SOCKET HEAD BOLT M5X16		1	*			
162-1	266849-0	H.L.SOCKET HEAD BOLT M5X16	O	1				
163	345918-1	HOSE CLAMP		1				
164	168655-8	OIL TUBE COMPLETE		1				
D10		INC. 165,166						
165	326177-6	OIL WEIGHT		1				
166	424384-6	OIL TUBE		1				
167	318710-8	OIL CASE		1				
168	346452-4	GASKET		1				
169	921412-3	HEX. BOLT M8X12		1				
170	266652-9	H.L. SOCKET HEAD BOLT M5X16		4	*			
170-1	266849-0	H.L.SOCKET HEAD BOLT M5X16	O	4				
171	213548-5	O-RING 20		1				
172	266862-8	H.L.S.H. BOLT M5X16 WITH WR		2				
173	452614-5	OIL PIPE		1				
174	140899-2	OIL CAP COMPLETE		1				
D10		INC. 175						
175	424421-6	OIL CAP GASKET		1				
176	318704-3	FLYWHEEL		1				
177	264054-3	FLANGE NUT M10		1				
178	452617-9	CYLINDER COVER		1				
179	266652-9	H.L. SOCKET HEAD BOLT M5X16		1	*			
179-1	266849-0	H.L.SOCKET HEAD BOLT M5X16	O	1				
180	452616-1	FAN COVER		1				
181	266655-3	H.L. SOCKET HEAD BOLT M5X30		4				
182	266659-5	H.L. SOCKET HEAD BOLT M6X30		1				
183	318728-9	FRONT OUTER HOLDER		1				
184	267448-1	FLAT WASHER 41		1				
185	213598-0	OIL SEAL(L)		1				
186	318711-6	CUTTING ARM		1	*			
186-1	319234-7	CUTTING ARM	S	1				
187	234214-1	COMPRESSION SPRING 16		1				
188	318730-2	REAR OUTER HOLDER		1				
189	266659-5	H.L. SOCKET HEAD BOLT M6X30		1				
190	266658-7	H.L. SOCKET HEAD BOLT M6X25		5				
191	225094-6	V BELT 5-800		1				
192	331970-5	SPACER17		1				

Model No. EK7651H POWER CUTTER

Item	Parts No.	Description	I/C	QTY	N/O	Opt. 1	Opt. 2	NOTE
193	125945-2	CLUTCH DRUM ASSEMBLY		1				
D10		INC. 194-196						
194	165636-3	CLUTCH DRUM		1				
195	962163-9	RETAINING RING R-35		1				
196	210138-5	BALL BEARING 6003LLU		1				
197	331970-5	SPACER17		1				
198	168656-6	CLUTCH COMPLETE		1	*			
D10		INC. 199-201			*			
198-1	168834-8	CLUTCH COMPLETE	<	1				
D10		INC. 199-201						
199	231871-6	TENSION SPRING 6		3	*			
199-1	231884-7	TENSION SPRING 6	<	3				
200	313207-2	CLUTCH SHOE		3				
201	313208-0	CLUTCH HOLDER		1				
202	893121-3	EK7651H MODEL NO.LABEL		1				
203	266792-3	H.L. SOCKET HEAD BOLT M5X18		3				
204	125919-3	STARTER ASSEMBLY		1				
D10		INC. 205-212						
205	424501-8	STARTER KNOB		1				
206	332046-1	ROPE GUIDE		1				
207	452613-7	STARTER CASE		1				
208	232262-4	SPIRAL SPRING		1				
209	444040-2	STARTER ROPE		1				
210	424500-0	ROPE STOPPER		1				
211	453466-7	REEL		1				
212	266634-1	SET SCREW M6X20		1				
213	452930-5	HOLDER		1				
214	266653-7	H.L. SOCKET HEAD BOLT M5X20		3	*			
214-1	266847-4	H.L.SOCKET HEAD BOLT M5X20	O	3	*			
214-2	266851-3	H.L.BIND BOLT M5X20	<	3				
215	452621-8	CLUTCH COVER		1	*			
215-1	455559-6	CLUTCH COVER	S	1				
216	264080-2	HEX. LOCK NUT M10-17		1				
218	266784-2	H.L. SOCKET HEAD BOLT M5X12		3	*			
218-1	266859-7	H.L.SOCKET HEAD BOLT M5X12	O	3				
219	140816-2	RATCHET COMPLETE		1	*			
219-1	144100-7	RATCHET COMPLETE	O	1				
C10	347089-0	RATCHET		2				
C20	347090-5	RATCHET HOLDER		1				
C30	251505-5	HEX. BOLT M5		2				
C40	232333-7	TORSION SPRING 15		2				
224	266690-1	HEX. BOLT M8X25		1				
225	224443-4	FLANGE 102		1	*			
225-1	224478-5	FLANGE 102	O	1				
226	257312-4	RING17		1				
227	224443-4	FLANGE 102		1	*			
227-1	224478-5	FLANGE 102	O	1				
228	318746-7	PRESSURE RING		1				

Model No. EK7651H POWER CUTTER

Item	Parts No.	Description	I/C	QTY	N/O	Opt. 1	Opt. 2	NOTE
229	442169-8	SLIDING DISC		1				
230	424426-6	RUBBER RING(INNER)		1				
231	266689-6	H.L.COLLAR BOLT M6		3	*			
231-1	266970-5	H.L.SOCKET HEAD COLLAR BOLT M6	O	3				
232	234216-7	COMPRESSION SPRING 8		3	*			
232-1	234374-9	COMPRESSION SPRING 8	O	3				
233	318722-1	CUTTING DEVICE		1				
234	213625-3	O-RING 9		1				
235	326038-0	LOCK SHAFT		1				
236	266688-8	HEX. BOLT M8		2	*			
236-1	266969-0	HEX. BOLT M8	<	2				
237	442169-8	SLIDING DISC		1				
238	346455-8	IMPACT PLATE		1				
239	424427-4	RUBBER RING(OUTER)		1				
240	266725-8	-H.L.SOCKET HEAD BOLT M5X16		2				
241	452938-9	GRIP		1				
242	141042-6	HOOD COMPLETE		1	*			
C10	893218-8	CAUTION LABEL		1	*			
242-1	141042-6	HOOD COMPLETE	O	1				
C10	893218-8	CAUTION LABEL		1				
244	213162-7	O RING 14		1				
245	257971-4	RING 17		1				
246	211281-3	BALL BEARING 6203LLU		1				
247	962157-4	RETAINING RING R-40		1				
248	326062-3	SPINDLE		1				
249	211281-3	BALL BEARING 6203LLU		1				
250	222174-9	V PULLEY 5-95.8		1				
251	266690-1	HEX. BOLT M8X25		1				
252	452698-3	BELT COVER		1	*			
252-1	455936-2	BELT COVER	S	1				
253	266691-9	TENSIONING SCREW M6		1				
254	234215-9	COMPRESSION SPRING 6		1				
255	252157-5	SQUARE NUT M6		1				
256	346457-4	PLATE		1				
257	264081-0	HEX. NUT M8		2	*			
257-1	264055-1	COLLARED HEX. NUT M8	S	2				
258	424023-8	SPONGE SLEEVE 9		1				
259	346554-6	PLATE		1				
260	424316-3	CHECK VALVE		1				
261	166106-5	DUST BAG		1				
262	424499-9	RUBBER SLEEVE 22		1				
263	800E23-6	CAUTION LABEL		1				
264	346611-0	STARTER COVER GASKET		1				
265	331967-4	COTTER		4				
266	346589-7	MUFFLER GUARD		1				
267	266782-6	H.L.S. HEAD BOLT M5X16 WITH WG		2				
268	325665-0	JOINT PIPE		4				
269	331897-9	BALL		2				

Model No. EK7651H POWER CUTTER

Item	Parts No.	Description	I/C	QTY	N/O	Opt. 1	Opt. 2	NOTE
270	897179-4	SERIAL NO. LABEL		1	*			
270-1	850F72-9	SERIAL NO. LABEL	O	1				
275	WJ00096589	SCREW ASSEMBLY		4				
276	141943-8	METERING COVER ASSEMBLY		1				
277	168620-7	METERING DIAPHRAGM		1				
278	442183-4	METERING DIAPHRAGM GASKET		1				
279	WJ00096475	SCREW		1				
280	WJ00183498	THROTTLE LEVER		1				
281	WJ00983707	SPRING		1				
282	WJ00014886	BUSHING 148-86		1				
283	WJ00148545	BUSHING		1				
284	WJ00015631	THROTTLE SHAFT SEAL		1				
285	WJ00088119	PLUG CAP		1				
286	WJ00343480	CHOKE VALVE		1				
287	WJ00096475	SCREW		1				
288	5806122220	BALL		1				
289	5806122210	SPRING		1				
290	352010-6	INLET SCREEN		1	*			
290-1	WJ00014070	INLET SCREEN	O	1				
291	WJ00009589	PUMP DIAPHRAGM		1				
292	442192-3	PUMP GASKET		1	*			
292-1	WJ00092225	GASKET-PUMP	O	1				
293	234183-6	CONICAL COMPRESSION SPRING 5-9		1				
296	5106045250	SPRING		1	*			
296-1	WJ00098217	SPRING	O	1				
297	WJ00096368	IDLE ADJUST SCREW		1				
298	5016004110	SCREW		1				
299	WJ00014477	METERING LEVER PIN		1				
300	WJ00016648	LEVER		1				
301	WJ00008282	INLET NEEDLE VALVE		1				
302	234277-7	COMPRESSION SPRING 3		1				
303	5416036160	PLUG-WELCH		1				
304	WJ00088229	CUP PLUG		1				
305	WJ00008995	BALL		1				
306	WJ00160580	PISTON ASSEMBLY ACCELERATOR		1				
307	WJ00983164	SPRING		1				
308	WJ00096475	SCREW		1				
309	5806122260	THROTTLE VALVE		1				
310	WJ01023347	NEEDLE		1				
311	WJ00025162	LIMITER CAP		1				
312	WJ01023343	NEEDLE		1				
313	WJ00025162	LIMITER CAP		1				
320	WJ00015631	THROTTLE SHAFT SEAL		1				
321	WJ00136194	WASHER		1				
322	WJ00014896	SPACER-THROTTLE LEVER		1				
323	WJ00224273	SHAFT ASSEMBLY-THROTTLE		1				
324	WJ00148542	SLEEVE-CHOKE		1				
325	WJ00136231	WASHER		1				

Model No. EK7651H POWER CUTTER

Item	Parts No.	Description	I/C	QTY	N/O	Opt. 1	Opt. 2	NOTE
326	WJ00224210	SHAFT ASSEMBLY-CHOKE		1				
A01	195488-8	TOOL KIT		1				
C10	782025-3	TORX WRENCH		1				
C20	782236-0	WRENCH 13-16		1				
C30	783012-5	SCREWDRIVER		1				
C40	831340-3	TOOL BAG		1				
A02	195532-1	OIL BOTTLE SET		1				
A03	195534-7	WATER SET		1				
C10	123121-2	COUPLING SLEEVE		1				
C20	126068-9	WATER SET PART		1				
C30	266707-0	H.L.SOCKET HEAD BOLT M5X10		1				
C40	452930-5	HOLDER		1				
A04	195945-6	PRE FILTER SET		1	*			
A04-1	198172-4	PRE FILTER SET	O	1				
A05	195794-1	RING SET		1				
E01	898428-2	CAUTION PLATE		1				
E02	898748-4	CAUTION TAG		1				
E03	898855-3	CAUTION TAG		1				