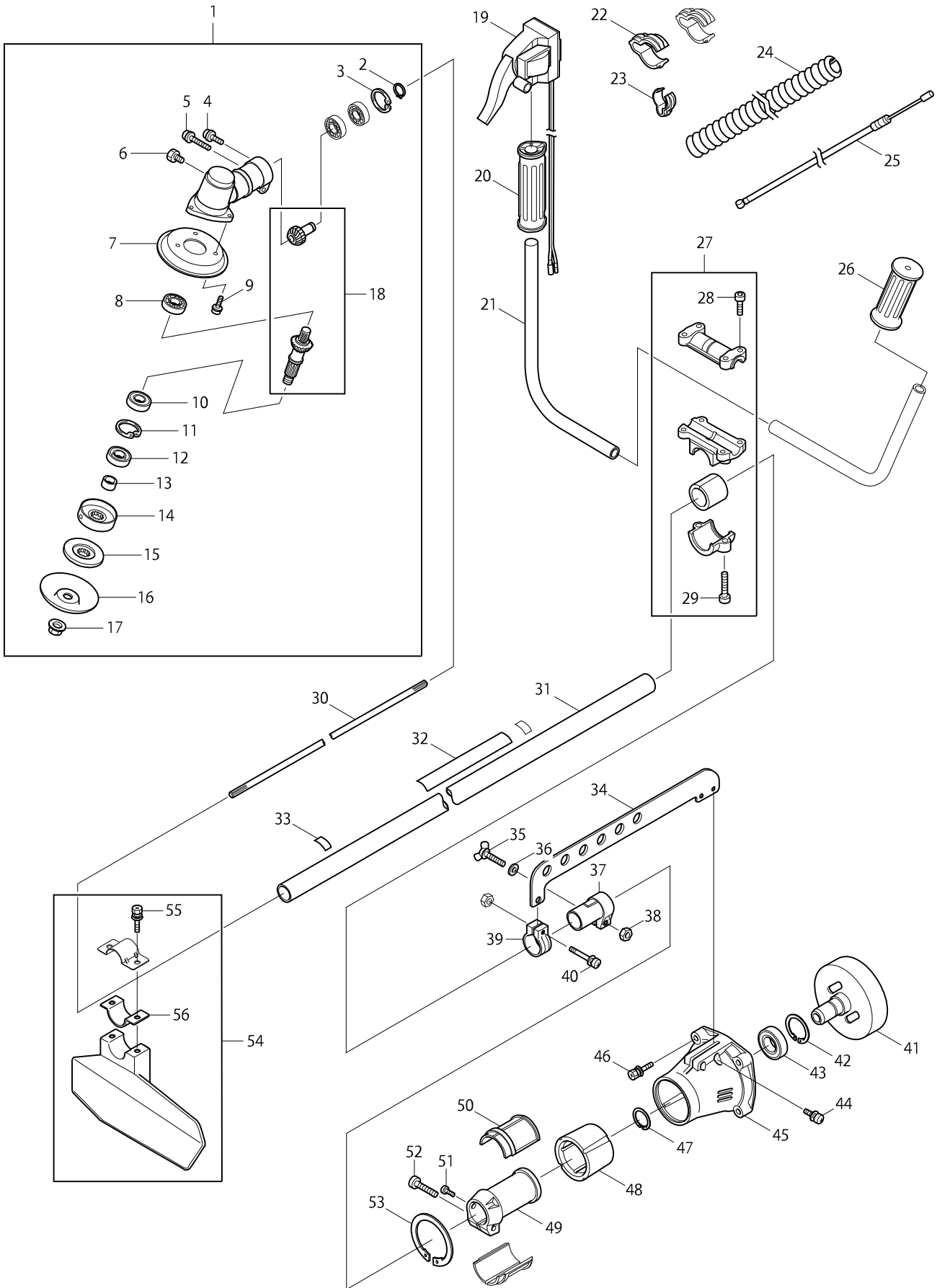
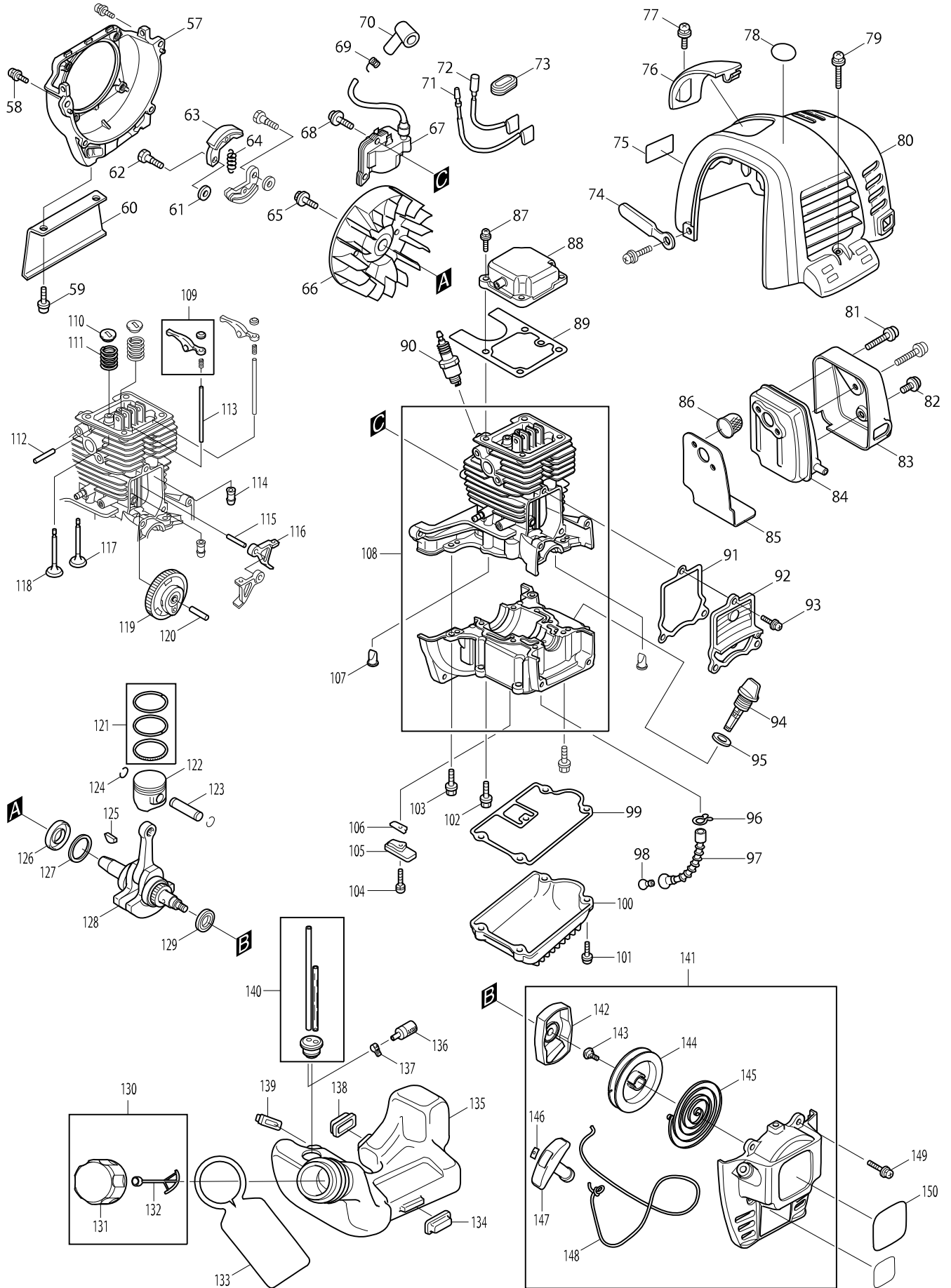


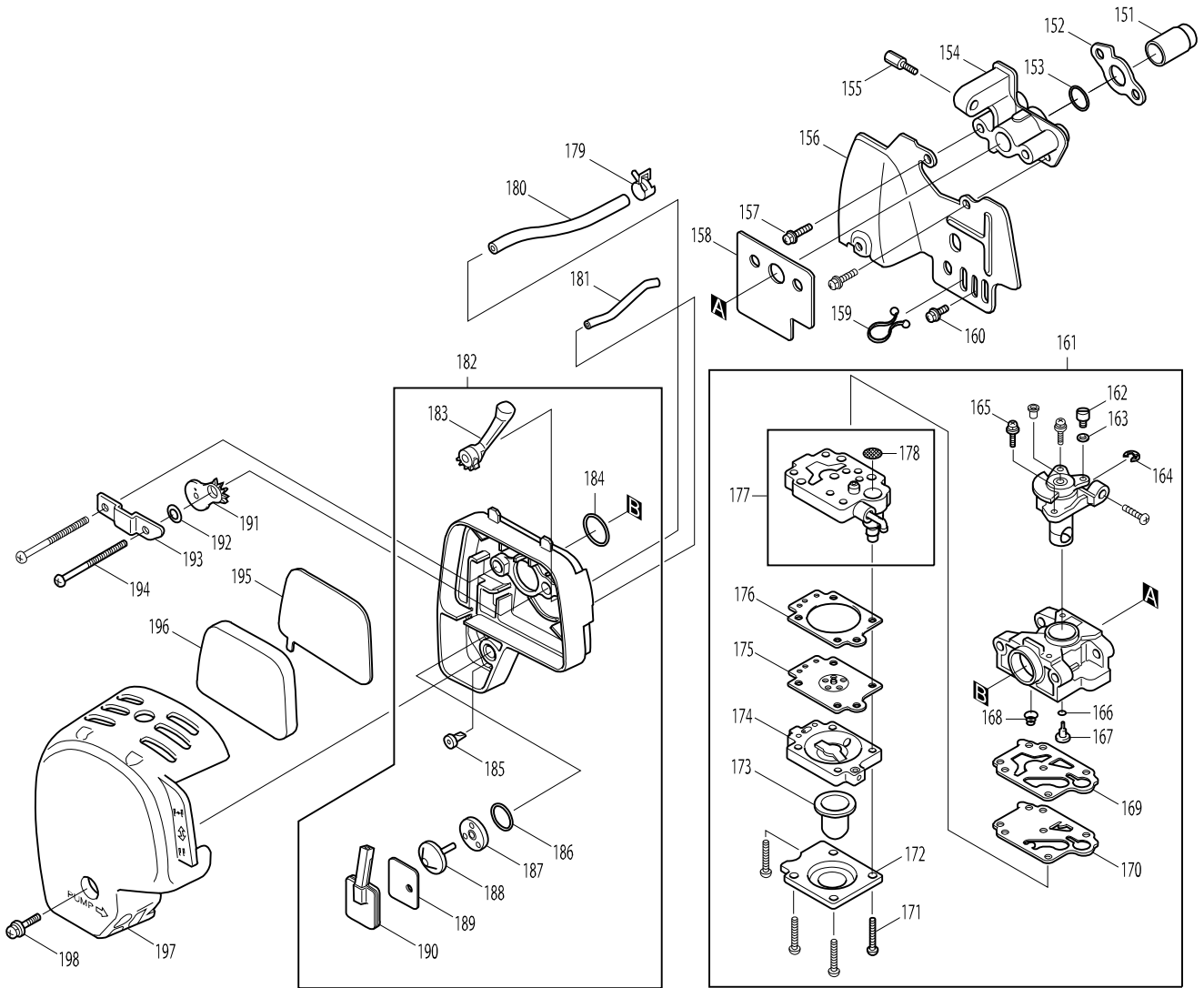
Model No. EBH340U BRUSH CUTTER



Model No. EBH340U BRUSH CUTTER



Model No. EBH340U BRUSH CUTTER



Model No. EBH340U BRUSH CUTTER

Item	Parts No.	Description	I/C	QTY	N/O	Opt. 1	Opt. 2	NOTE
001	125922-4	GEAR CASE ASSEMBLY		1				
D10		INC. 1-18						
002	961052-5	RETAINING RING S-12		1				
003	962106-1	RETAINING RING R-28		1				
004	266646-4	PAN HEAD SCREW M5X10		1				
005	266649-8	SOCKET HEAD BOLT M6X30		1				
006	266650-3	OIL BOLT M6X8		1				
007	346402-9	GUARD		1				
008	210122-0	BALL BEARING 6001ZZ		3	*			
008-1	211148-5	BALL BEARING 6001ZZ	O	3				
009	266645-6	PAN HEAD SCREW M4X8		3				
010	210203-0	BALL BEARING 6202		1	*			
010-1	211209-1	BALL BEARING 6202	O	1				
011	962153-2	RETAINING RING R-35		1				
012	213592-2	OIL SEAL 22		1				
013	452641-2	SPACER		1				
014	331938-1	RECEIVE WASHER		1				
015	346404-5	CLAMP WASHER		1				
016	346406-1	CUP		1				
017	264052-7	NUT M10		1				
018	125923-2	CUTTER SHAFT ASSEMBLY		1				
019	125925-8	CONTROL LEVER ASSEMBLY		1				
020	273670-0	GRIP		1				
021	452642-0	HANDLE		2				
022	452640-4	WIRE CLAMP		2				
023	452639-9	WIRE CLAMP		1				
024-1	422071-1	CABLE TUBE		1				
025-1	353019-1	CONTROL CABLE		1				
026	273669-5	GRIP		1				
028	922241-7	HEX. SOCKET HEAD BOLT M5X25		4				
029	266649-8	SOCKET HEAD BOLT M6X30		2				
031	140819-6	SHAFT PIPE COMPLETE		1				
032	890237-5	CAUTION LABEL		1				
033	808723-2	CAUTION LABEL		1				
034	346403-7	HANGER		1				
035	265794-6	BUTTERFLY SCREW M5X25		1				
036	267439-2	WASHER M5		1				
038	264051-9	HEX.NUT M5		2				
040	911253-5	PAN HEAD SCREW M5X30		1				
042	962153-2	RETAINING RING R-35		1				
043	211206-7	BALL BEARING 6202LLB		1				
044	266647-2	PAN HEAD SCREW M5X12		2				
045	318713-2	CLUTCH CASE		1				
046	266649-8	SOCKET HEAD BOLT M6X30		4				
051	266647-2	PAN HEAD SCREW M5X12		1				
052	266649-8	SOCKET HEAD BOLT M6X30		1				
054	125926-6	PROTECTOR ASSEMBLY		1				
D10		INC. 55,56						

Model No. EBH340U BRUSH CUTTER

Item	Parts No.	Description	I/C	QTY	N/O	Opt. 1	Opt. 2	NOTE
055	266648-0	SOCKET HEAD BOLT M6X20		2				
056	346405-3	PROTECTOR CLAMP		2				
057	318614-4	BLOWER HOUSING		1				
058	922223-9	H.S.H.BOLT M5X16 WITH WR		4				
059	266647-2	PAN HEAD SCREW M5X12		2				
060	346447-7	STAND		1				
061	253762-1	FLAT WASHER 8		2				
062	266571-9	SHOULDER HEX. BOLT M8X23		2				
063	125757-3	CLUTCH ASSEMBLY		1				
065	265577-4	HEX HEAD BOLT M6X16		1				
066	319035-3	FLYWHEEL		1				
067	168816-0	IGNITION COIL		1				
068	922138-0	H.S.H.BOLT M4X20 WITH WR		2				
069	324891-8	PLUG CAP SPRING		1				
070	424105-6	PLUG CAP		1				
071	632E38-3	LEAD UNIT		1				
072	632E39-1	LEAD UNIT		1				
073	424313-9	GROMMET		1				
074	345963-6	CLAMP		1				
076	451876-2	PLUG COVER		1				
077	266572-7	+ TRUSS HEAD SCREW M5X8		1				
079	911213-7	PAN HEAD SCREW M5X12		3				
080	451875-4	CYLINDER COVER		1				
081	266440-4	HEX SOCKET HEAD BOLT M5X40		2				
082	265184-3	+TRUSS HEAD SCREW M5X5		1				
083	345915-7	MUFFLER COVER		1				
084	168469-5	EXHAUST MUFFLER		1				
085	345916-5	MUFFLER GASKET		1				
086	324980-9	SPARK ARRESTER		1				
087	922217-4	HEX. SOCKET HEAD BOLT M5X14		4				
088	140419-2	ROCKER COVER COMPLETE		1				
089	162307-3	ROCKER COVER GASKET		1				
090	168401-9	SPARK PLUG		1				
091	162274-2	CAM GEAR COVER GASKET		1				
092	318443-5	CAM GEAR COVER		1				
093	922212-4	HEX. SOCKET HEAD BOLT M5X12		3				
094	450565-6	OIL GAUGE		1				
095	424100-6	GASKET		1				
096	282020-8	HOSE CLAMP		1				
097	424202-8	OIL TUBE		1				
098	325666-8	OIL WEIGHT		1				
099	162308-1	CASE GASKET		1				
100	318612-8	OIL CASE		1				
101	922217-4	HEX. SOCKET HEAD BOLT M5X14		4				
102	266573-5	HEX. SOCKET HEAD BOLT M5X33		4				
103	922222-1	HEX. SOCKET HEAD BOLT M5X16		4				
104	922112-8	HEX. SOCKET HEAD BOLT M4X10		1				
105	318440-1	RETAINER PLATE		1				

Model No. EBH340U BRUSH CUTTER

Item	Parts No.	Description	I/C	QTY	N/O	Opt. 1	Opt. 2	NOTE
106	346083-9	LEAD VALVE		1				
107	424201-0	CHECK VALVE		2				
108	125755-7	CYLINDER BLOCK ASSEMBLY		1				
109	125554-7	ROCKER ARM ASSEMBLY		2				
110	325912-9	SPRING RETAINER		2				
111	234181-0	COMPRESSION SPRING 11		2				
112	256200-2	PIN 5		1				
113	256866-8	ROD 2.5		2				
114	424200-2	SPACER		2				
115	268239-3	PIN 4		1				
116	313169-4	CAM LIFTER		2				
117	325913-7	EXHAUST VALVE		1				
118	325914-5	INTAKE VALVE		1				
119	125552-1	CAM GEAR ASSEMBLY		1				
120	268238-5	PIN 5		1				
121	195141-6	PISTON RING SET		1				
122	318613-6	PISTON		1	*			
122-1	197454-1	PISTON SET	<	1				
C10	318613-6	PISTON		1				
D10		INC. 121,124						
123	257796-6	PISTON PIN		1				
124	233983-1	CLIP		2				
125	254040-2	WOODRUFF KEY 3		1				
126	213537-0	OIL SEAL 12		1				
127	267425-3	FLAT WASHER 26		1				
128	125756-5	CRANKSHAFT ASSEMBLY		1				
129	213148-1	OIL SEAL 10		1	*			
129-1	213769-9	OIL SEAL 10	<	1				
130	125472-9	FUEL TANK CAP ASSEMBLY		1				
D10		INC. 131,132						
131	140435-4	FUEL TANK CAP		1				
132	140436-2	STRAP COMPLETE		1				
133	810455-9	CAUTION PLATE		1				
134	424104-8	DAMPER		1				
135	451877-0	FUEL TANK		1				
136	163447-0	FUEL FILTERLTER		1	*			
136-1	163447-0	FUEL FILTERLTER	O	1				
137	345920-4	HOSE CLAMP		1				
138	424103-0	PLATE		1				
139	424102-2	PLATE		1				
140	162309-9	TUBE		1				
141	195142-4	RECOIL STARTER SET		1				
D10		INC. 142						
142	165606-2	PULLEY		1				
149	911218-7	PAN HEAD SCREW M5X14		4				
150	816447-6	EBH340U MODEL NO. LABEL		1				
151	325915-3	INTAKE PIPE		1				
152	413120-5	INSULATOR GASKET		1				

Model No. EBH340U BRUSH CUTTER

Item	Parts No.	Description	I/C	QTY	N/O	Opt. 1	Opt. 2	NOTE
153	213063-9	O RING 10		1				
154	451874-6	INSULATOR		1				
155	325663-4	ADJUST SCREW		1				
156	346261-1	CARBURETOR INSULATOR		1				
157	922228-9	H.S.H.BOLT M5X18 WITH WR		2				
158	413138-6	CARBURETOR GASKET		1				
159	450562-2	CLAMP		1				
160	922213-2	H.S.H.BOLT M5X12 WITH WR		1				
161	168561-7	CARBURETOR		1				
D10		NC. 162-177						
162	325922-6	SWIVEL		1				
163	413140-9	WASHER		1				
164	257964-1	STOP RING E-3		1				
165	266581-6	PAN HEAD SCREW M3X8 WITH W		2				
166	213538-8	O RING 2		1				
167	325921-8	JET		1				
168	234183-6	CONICAL COMPRESSION SPRING 5-9		1				
169	442155-9	PUMP GASKET		1				
170	168575-6	PUMP DIAPHRAGM		1	*			
170-1	WJ00009599	PUMP DIAPHRAGM	O	1				
171	266582-4	TAPPING SCREW 3X24		4				
172	346270-0	PRIMER PUMP COVER		1				
173	424314-7	PRIMER PUMP		1				
174	140438-8	AIR PURGE BODY		1				
175	168574-8	METERING DIAPHRAGM		1				
176	442154-1	METERING DIAPHRAGM GASKET		1				
177	140437-0	PUMP BODY		1				
D10		INC. 178						
178	352010-6	INLET SCREEN		1				
179	345918-1	HOSE CLAMP		1				
180	422055-9	BREATHER PIPE		1				
181	422042-8	PIPE		1				
182	125468-0	CLEANER PLATE ASSEMBLY		1				
D10		INC. 183-190						
183	451925-5	CHOKE LEVER		1				
184	213540-1	O RING 15		1				
185	424316-3	CHECK VALVE		1				
186	213539-6	O RING 14		1				
187	451924-7	CHECK VALVE PLATE		1				
188	424315-5	CHECK VALVE		1				
189	168577-2	SEPARATOR GASKET		1				
190	168576-4	SEPARATOR PLATE		1				
191	450560-6	CHOKE PLATE		1				
192	423376-2	GASKET		1				
193	345919-9	PLATE		1				
194	265188-5	+PAN HEAD SCREW M5X68		2				
195	443140-5	AIR CLEANER ELEMENT		1				
196	443141-3	AIR CLEANER ELEMENT		1				

