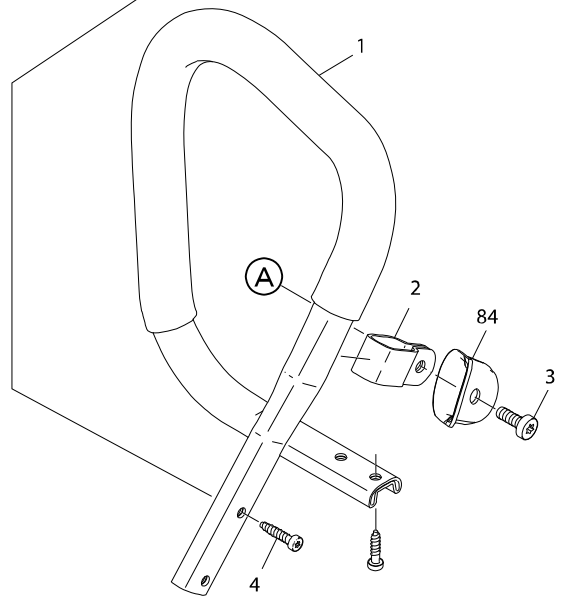
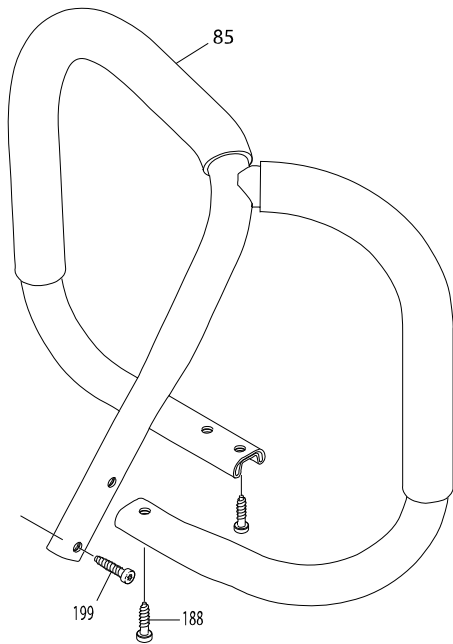
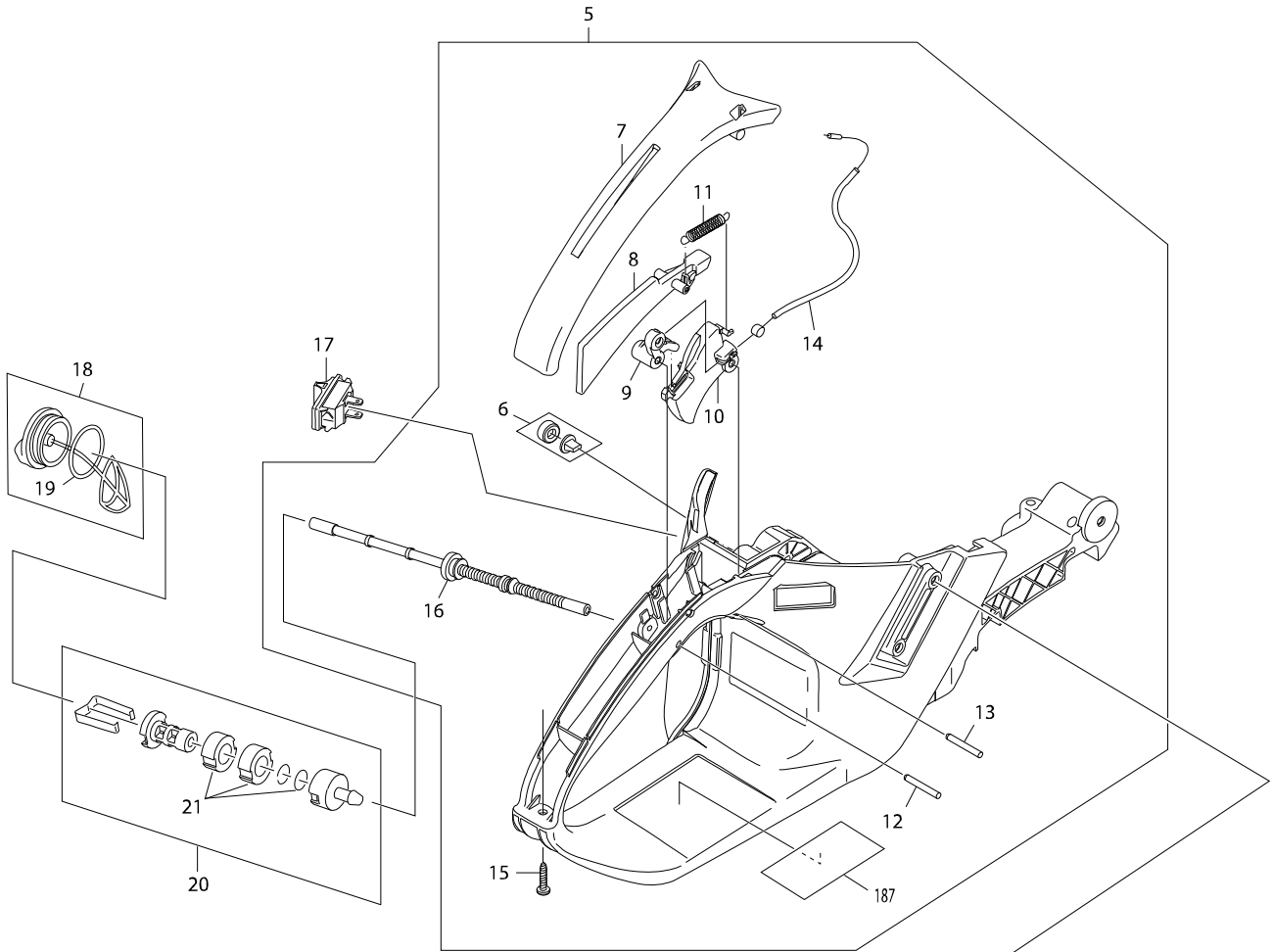
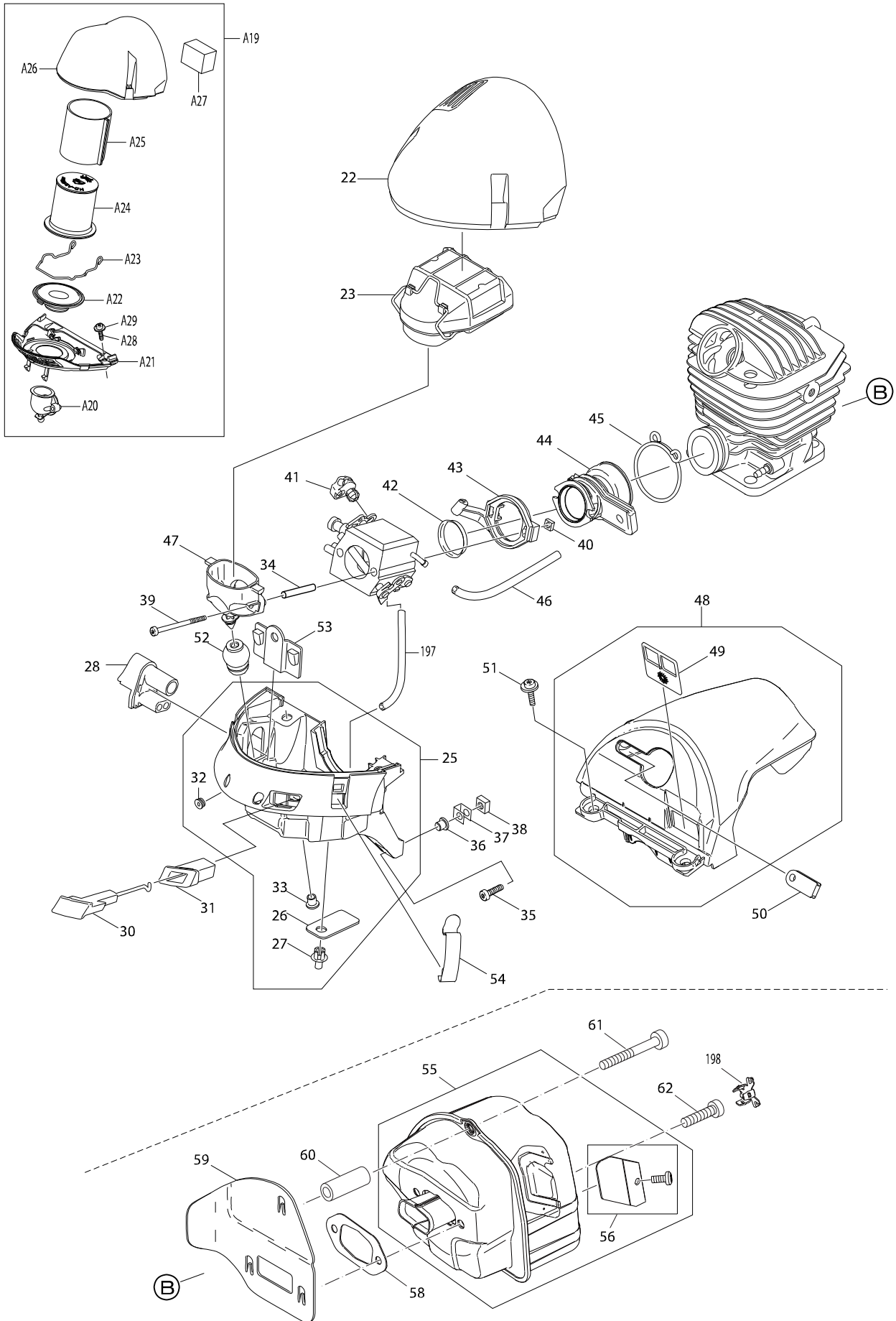


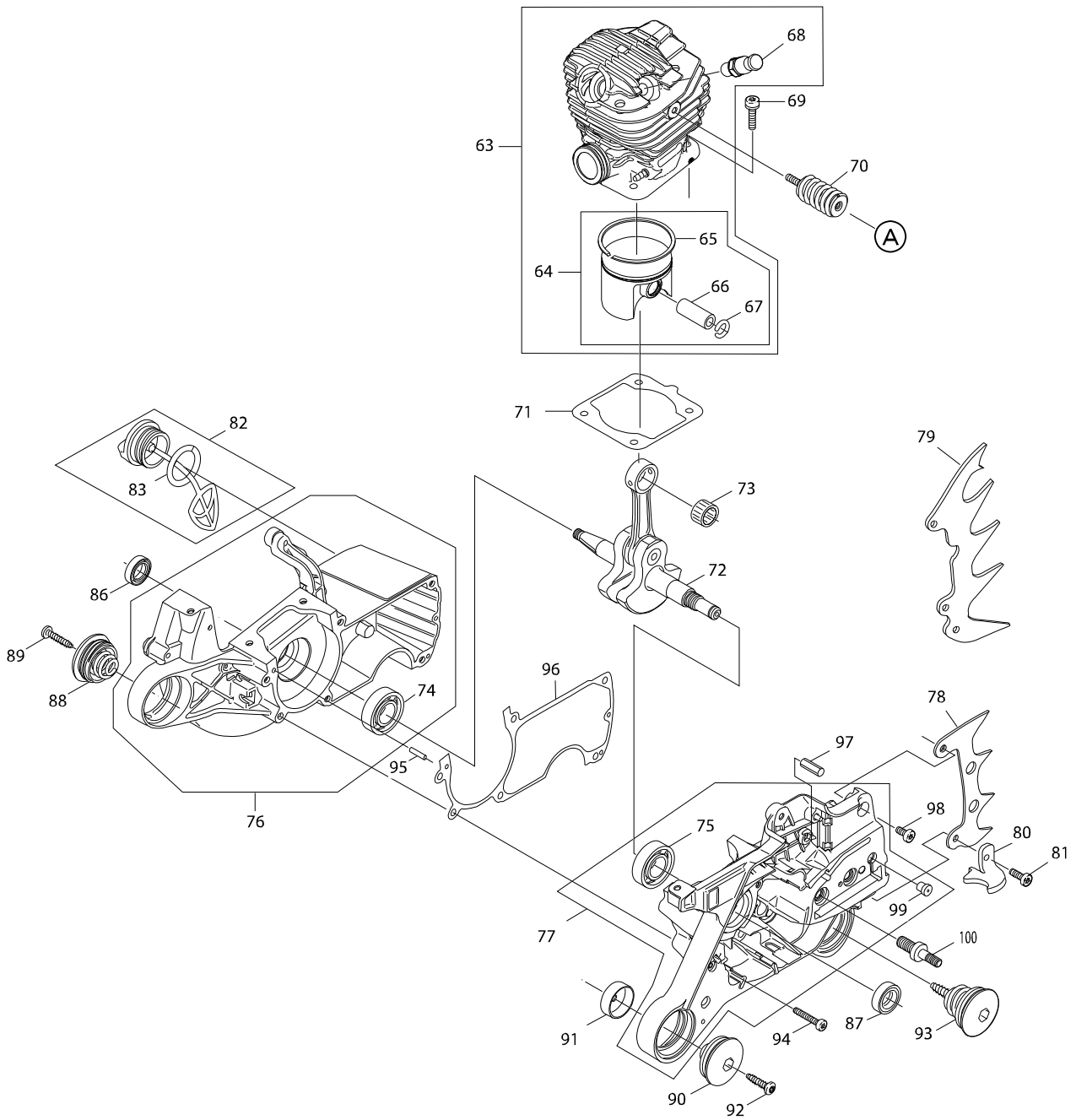
Model No. EA7900P PETROL CHAIN SAW



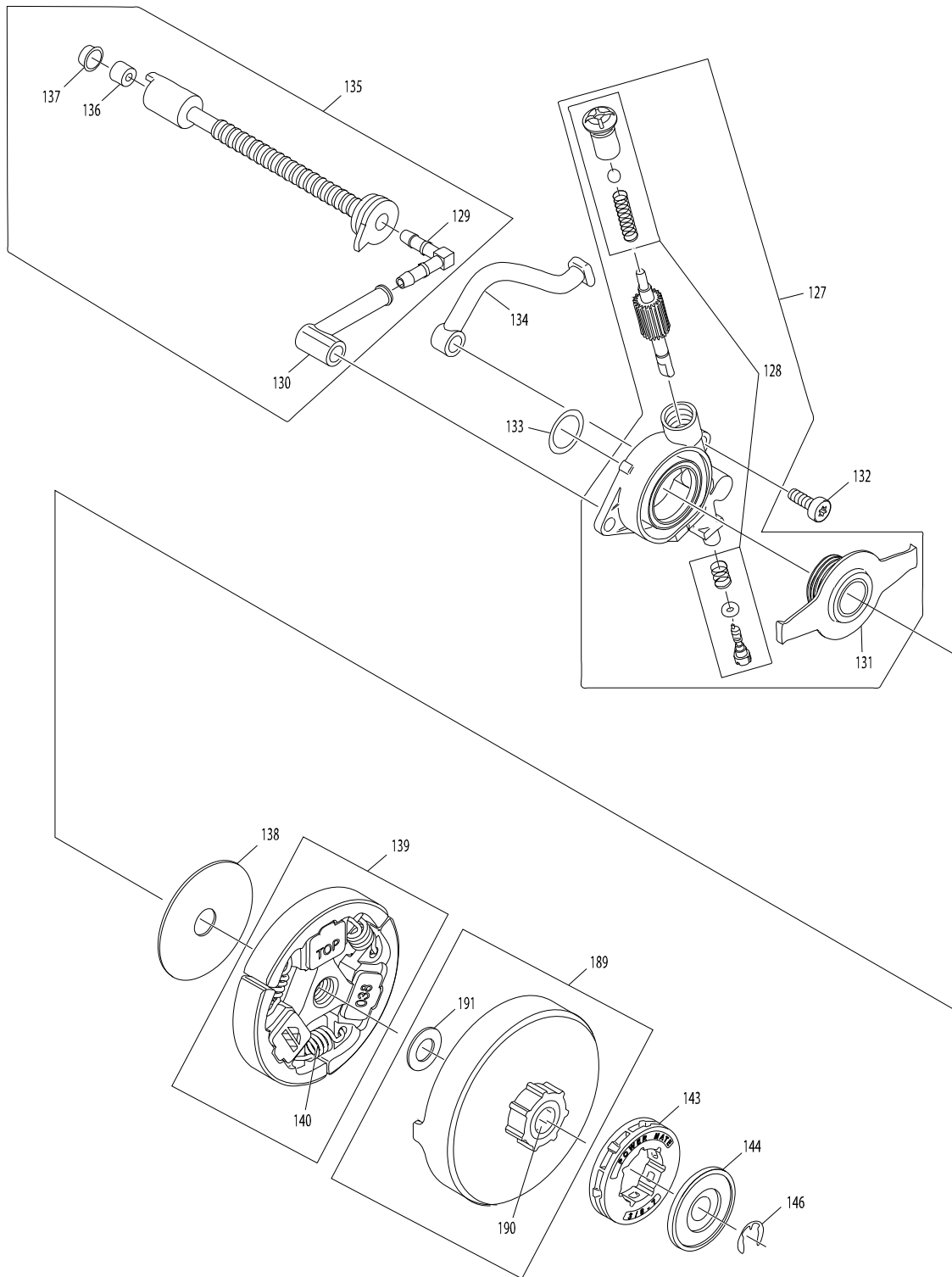
Model No. EA7900P PETROL CHAIN SAW



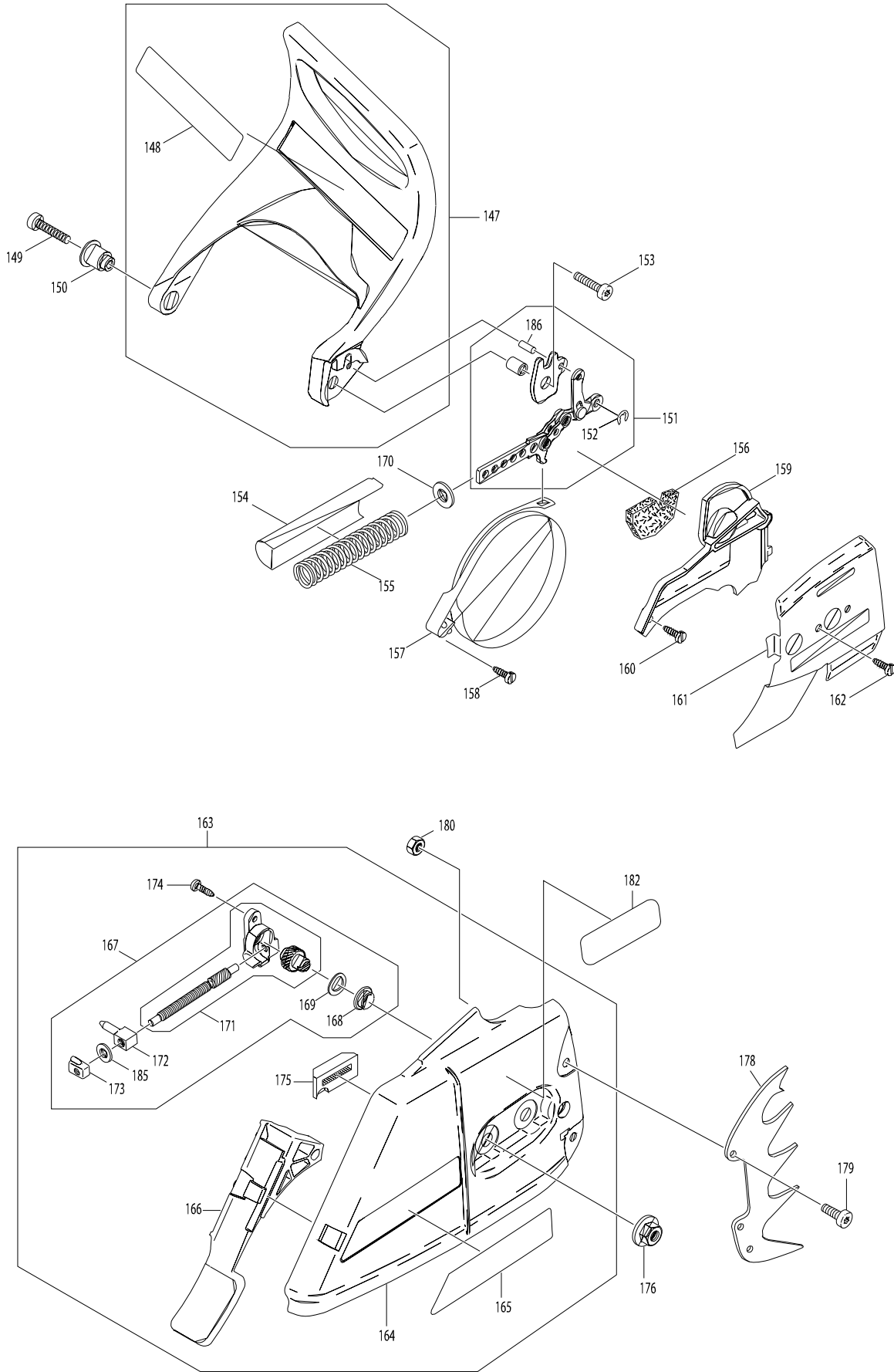
Model No. EA7900P PETROL CHAIN SAW



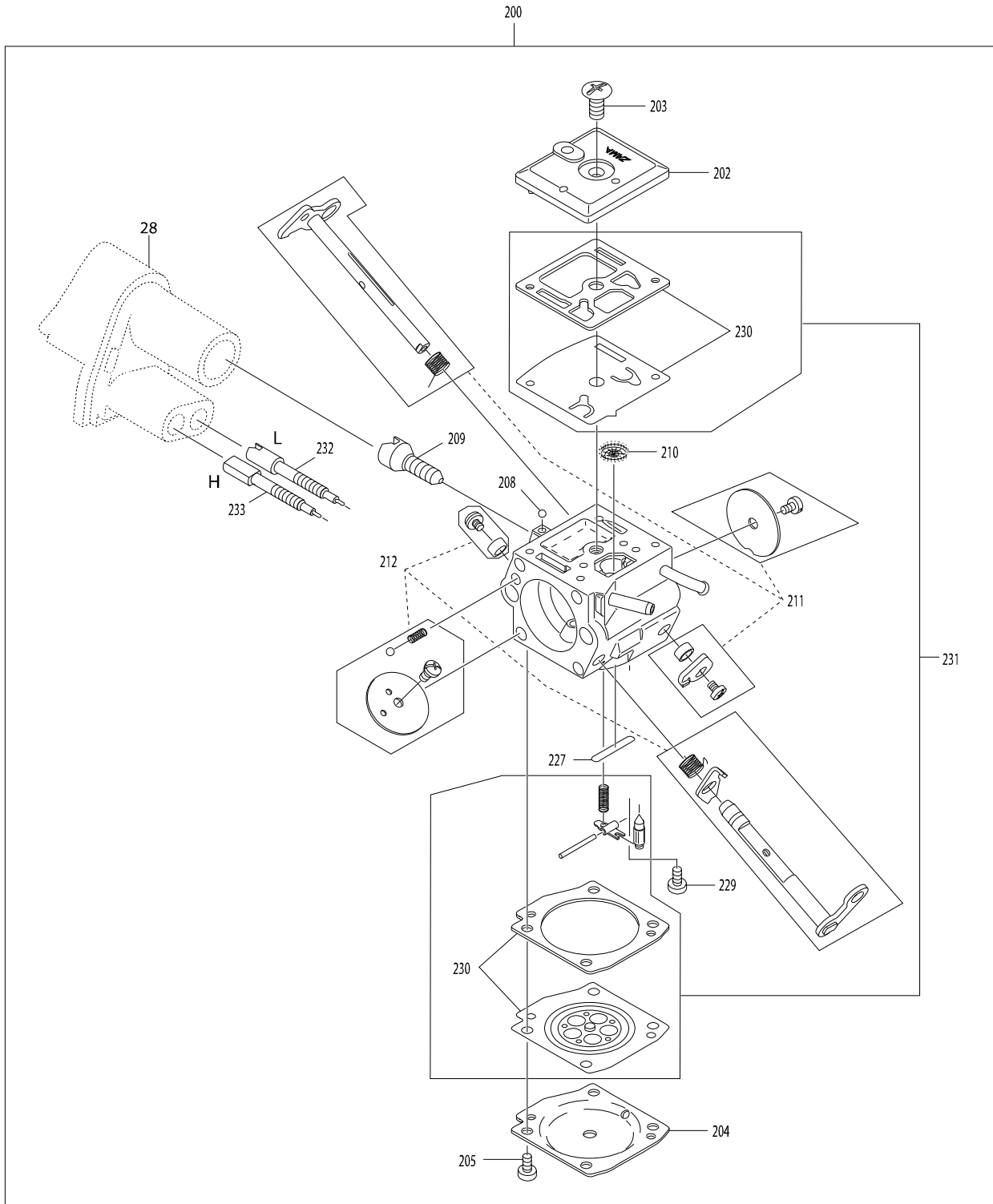
Model No. EA7900P PETROL CHAIN SAW



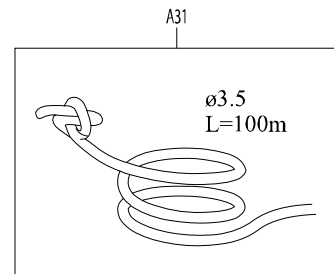
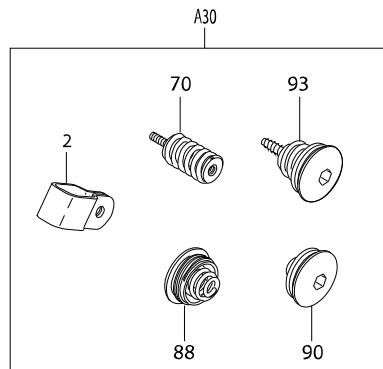
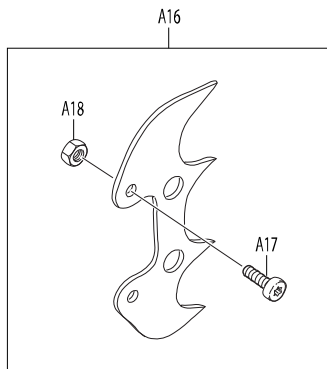
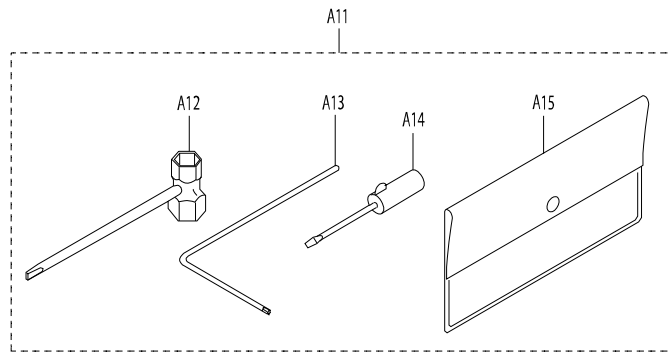
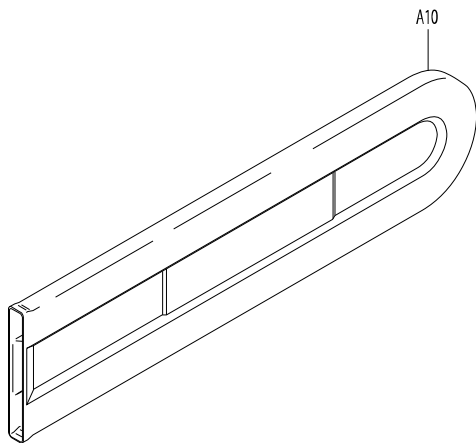
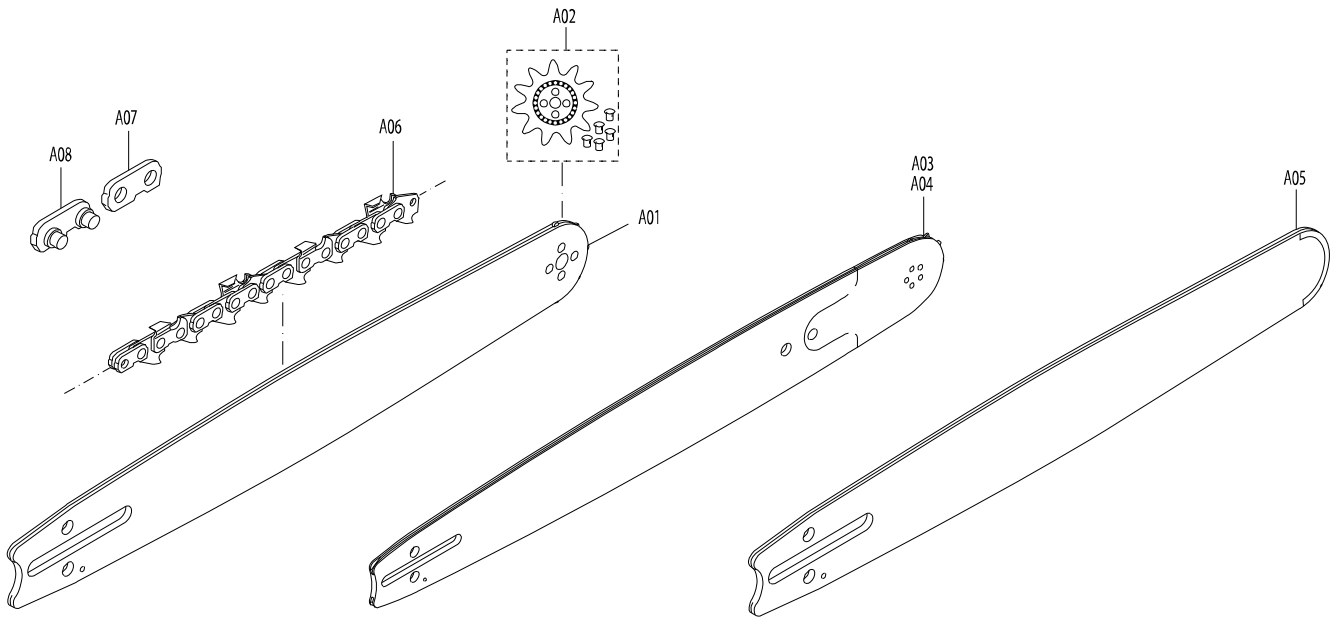
Model No. EA7900P PETROL CHAIN SAW



Model No. EA7900P PETROL CHAIN SAW



Model No. EA7900P PETROL CHAIN SAW



Model No. EA7900P PETROL CHAIN SAW

Item	Parts No.	Description	I/C	QTY	N/O	Opt. 1	Opt. 2	NOTE
001	038310021	TUBULAR HANDLE ASSY.		1				
002	038310062	CLAMP		1				
003	908006145	FILLISTER HEAD SCREW 6X14		1				
004	913455164	SCREW 5.5X16		4				
005	038114660	TANK CPL.BLUE		1				
D10		INC. 6-16						
006	957114061	AIR VALVE CPL.		1				
007	038114631	GRIP PLATE		1				
008	038117020	CATCH LEVER		1				
009	038117030	LOCKER		1				
010	038117010	THROTTLE LEVER		1				
011	038117050	SPRING		1				
012	935930240	CYLINDRICAL PIN 3X24		1				
013	935930280	CYLINDRICAL PIN 3X28		1				
014	038117041	BOWDEN CABLE		1				
015	913340204	SCREW 4X20		1				
016	038114052	FUEL LINE		1				
017	975001241	SHORT-CIRCUIT SWITCH		1				
018	010114050	TANK CAP ASSY.(FUEL)		1				
D10		INC. 19						
019	963228030	O-RING 28		1				
020	010114010	SUCTION HEAD(FUEL)		1				
D10		INC. 21						
021	010114020	REP.KIT, FILTER		1				
022	038118024	CLEANER COVER BLACK		1				
023A_	038173011	AIR FILTER CPL. NYLON		1				
023B_	038173101	AIR FILTER CPL.		1				
025	038118670	BOTTOM		1				
D10		INC. 26,27,32,33						
026	038118110	RUBBER FLAP		2				
027	938650062	RIVET		2				
028	038118085	ADJUSTING GUIDE		1				
030	038155052	CHOKE SHAFT		1				
031	038155020	CHOKE GUIDE		1				
032	038118300	RUBBER BUSH		1				
033	001118100	BUSHING		2				
034	038155060	SPACER 30MM		2				
035	908005205	FILLISTER HEAD SCREW M5X20		2				
036	001118100	BUSHING		2				
037	038111050	CLIP		2				
038	038111060	SQUARE NUT M5		2				
039	908204555	SCREW 4X55		2				
040	921804004	SQUARE NUT M4		2				
041	038155012	RETAINING CLIP		1				
042	038131031	INSERT FOR SUCTION HOSE		1				
043	038171041	FLANGE		1				
044	038131011	SUCTION HOSE		1				
045	038131070	HOSE CLIP		1				

Model No. EA7900P PETROL CHAIN SAW

Item	Parts No.	Description	I/C	QTY	N/O	Opt. 1	Opt. 2	NOTE
046	965452382	VENTILATION LINE		1				
047	038171012	CONNECTING MUFF		1				
048	038118050	HOOD CPL.		1				
D10		INC. 49						
049	038118140	INSERT		1				
050	038118130	CABLE GUIDE		1				
051	917105205	SCREW M5X20		2				
052	038171031	HOLDER		1				
053	038118100	PLUG		1				
054	130118070	STEELCLIP		2				
055	038174702	MUFFLER (SLR)		1				
D10		INC. 56						
056	038174920	SPARK ARRESTER SCREEN CPL.		1				
058	038174811	GASKET		1				
059	038174023	COVER PLATE		1				
060	038174030	CONNECTING LINK		1				
061	908305405	SCREW M5X40		1				
062	908405205	SCREW 5X20		2				
063	038130071	CYLINDER/PISTON CPL.		1				
D10		INC. 64,68						
064	038132070	PISTON CPL.		1				
D10		INC. 65-67						
065	038132020	PISTON RING 52MM		1				
066	038132041	PISTON PIN		1				
067	038132080	SPRING RING		2				
068	038118180	DECOMPRESSION VALVE		1				
069	908805235	SCREW 5X23		4				
070	038114152	SPRING W.THREADED INSERT		1				
071	965531160	GASKET, METAL		1				
072	038120200	CRANKSHAFT CPL.		1				
073	962210121	NEEDLE CAGE		1				
074	960102152	BALL BAERING 6202		1				
075	960102179	BALL BEARING 6203		1				
076	038111660	CRANKCASE MAGNET SIDE		1				
D10		INC. 74						
077	038111641	CRANKC.CLUTCH SIDE BLUE		1				
D10		INC. 75,99						
078	038250021	SPIKE BAR		1				
080	038111171	CHAIN CATCH		1				
081	908805205	SCREW		1				
082	010114050	TANK CAP ASSY.(FUEL)		1				
D10		INC. 83						
083	963228030	O-RING 28		1				
084	038310070	SPRING LIMITER		1				
086	962900052	RADIAL RING		1				
087	962900061	RADIAL RING		1				
088	038114130	SPRING CPL.WITH CAP		1				
089	913455204	H.L.TAPPING SCREW 5.5X20		1				

Model No. EA7900P PETROL CHAIN SAW

Item	Parts No.	Description	I/C	QTY	N/O	Opt. 1	Opt. 2	NOTE
090	038114130	SPRING CPL.WITH CAP		1				
091	038114191	POT		1				
092	913455204	H.L.TAPPING SCREW 5.5X20		1				
093	038114141	SPRING CPL.WITH CAP		1				
094	908005305	FILLSTER HEAD SCREW M5X30		6				
095	936430160	SPIRAL CLAMPING PIN		2				
096	038111042	GASKET		1				
097	934660250	SLOTTED PIN 6X24		1				
098	908105126	SCREW M5X12		1				
099	010245030	VENT VALVE		1				
100	038232011	BOLT		2				
101	038160615	STARTER ASSY BLUE		1				
D10		INC. 102-105,107-110,181						
102	928405000	SPRING WASHER 5		1				
103	038112633	STARTER HOUSING BLUE		1				
104	001161020	STARTER GRIP		1				
105	108164020	STARTER ROPE 38-1/2"		1				
107	908605205	SCREW M5X20		3				
108	038162024	CABLE DRUM CPL.		1				
109	924605510	WASHER 5.5/18X1.6		1				
110	913455204	H.L.TAPPING SCREW 5.5X20		1				
111	980115708	LABEL EA7900P		1				
112	038112060	AIR DUCT		1				
113	970502110	INSULATING HOSE		1				
114	038143200	IGNITION COIL		1				
D10		INC. 115						
115	038143030	BUSH		1				
116	957604240	SPARK PLUG CAP CPL.		1				
D10		INC. 141						
117	965603021	SPARK PLUG BPMR7A		1				
118	965401011	RUBBER BUSHING		1				
119	957311590	EARTH CABLE		1				
D10		INC. 184						
121	908304205	SCREW M4X20		2				
122	038111110	CLIP		1				
123	957141003	FLYWHEEL ASSY.		1				
D10		INC. 145						
125	926208001	SPRING WASHER 8		1				
126	920208024	HEXAGONALNUT M8X1		1				
127	038245011	OIL PUMP CPL.		1				
D10		INC. 128,131						
128	030245070	REPAIR KIT CPL.		1				
129	001245140	ANGULAR NIPPLE		1				
130	038245110	OIL LINE		1				
131	038245031	PUMP DRIVE		1				
132	908005125	FILLISTER HEAD SCREW M5X12		2				
133	038224021	DISC		1				
134	038245061	OIL LINE		1				

Item	Parts No.	Description	I/C	QTY	N/O	Opt. 1	Opt. 2	NOTE
135	038245020	SUCTION LINE OIL CPL.		1				
D10		INC. 129,130,136,137						
136	900005066	DISTANCE RING		1				
137	963601100	SCREEN		1				
138	001182042	DISC		1				
139	038180012	CLUTCH ASSY.		1				
D10		INC. 140						
140	024184021	TENSION SPRING		3				
141	965604180	SPRING		1				
143	119224070	RIM SPROCKET		1				
144	181224081	WASHER 29		1				
145	038166050	STARTER RATCHET ASSY.		2				
146	927408000	WASHER		1				
147	038213221	HAND GUARD CPL.		1				
D10		INC. 148						
148	185114237	LABEL		1				
149	908405205	SCREW 5X20		1				
150	038213160	BUSHING		1				
151	957213030	BRAKING MECHANISM		1				
D10		INC. 152,186						
152	927304000	SAFETY WASHER		1				
153	908805205	SCREW		1				
154	038213152	POT		1				
155	038213130	SPRING		1				
156	038213200	FORM SPONGE		1				
157	038213010	BRAKE SPRING		1				
158	915535100	THREAD FORMING SCREW 3.5X9.5		1				
159	038213040	PLATE		1				
160	915535100	THREAD FORMING SCREW 3.5X9.5		1				
161	038111030	GUIDE PLATE		1				
162	915535100	THREAD FORMING SCREW 3.5X9.5		2				
163	038213641	SPROCKET GUARD CPL.BLUE		1				
D10		INC. 164-167,174,175						
164	038213635	SPROCKET GUARD		1				
165	980115197	MAKITA LOGO LABEL		1				
166	038213190	CHIP GUIDE		1				
167	957213023	CHAIN TENSIONER CPL.		1				
D10		INC. 168,169,171-173,185						
168	038213080	BUSHING		1				
169	038213230	SPRING WASHER		1				
170	028213012	WASHER 12X9		1				
171	957213040	TENSIONING SCREW SET		1				
172	038213091	TENSIONING NUT		1				
173	038213070	TENSIONING SCREW BEARING		1				
174	915535100	THREAD FORMING SCREW 3.5X9.5		1				
175	024213240	CHAIN GUIDE		1				
176	923208004	HEXAGONAL NUT M8		2				
181	038162050	SPACER		1				

Item	Parts No.	Description	I/C	QTY	N/O	Opt. 1	Opt. 2	NOTE
184	038111150	CLAMP		1				
185	924104300	WASHER 4.3		1				
186	935940100	CYLINDRICAL PIN		1				
189	957223092	CLUTCH DRUM CPL.		1				
D10		INC. 190,191						
190	962300009	NEEDLE SLEEVE		1				
191	038223100	SPACER WASHER		1				
197	965452382	VENTILATION LINE		1				
199	913455164	SCREW 5.5X16		4				
200	038153515	CARBURETOR (REGULATED MARKET		1				
D10		INC. 28,202-205,208-212,227,						
D20		INC. 229,231-233						
202	038153030	PUMP COVER		1				
203	038153360	SCREW		1				
204	038153540	DIAPHRAGM COVER ASSY		1				
205	001153020	SCREW		4				
208	038153210	LOCKING BALL		1				
209	038153220	IDLE STOP SCREW		1				
210	036153040	SCREEN		1				
211	038153570	KIT THROTTLE SHAFT		1				
212	038153580	KIT CHOKE SHAFT		1				
227	038153350	COVER PLATE		1				
229	028153200	SCREW		1				
230	038153550	DIAPHRAGM & GASKETS		1				
231	038153560	REBUILD KIT		1				
D10		INC. 230						
232	038153232	IDLE ADJUSTMENT SCREW L		1				
233	038153301	MAIN ADJUSTMENT SCREW H		1				
A01	445035655	SPROCKET NOSE BAR 35CM MAKITA		1				
D10		INC. A02						
A01A_	445038655	SPROCKET NOSE BAR 15"		1				
D10		INC. A02						
A01B_	445045655	SPROCKET NOSE BAR 18"		1				
D10		INC. A02						
A01C_	445050655	SPROCKET NOSE BAR 20"		1				
D10		INC. A02						
A01D_	445060655	SPROCKET NOSE BAR 24"		1				
D10		INC. A02						
A02	415038720	SPROCKET NOSE CPL.		1				
A03	445045555	SOLID BAR WITH REPLACEABLE TIP		1				
D10		INC. A04						
A03A_	445060555	SOLID BAR WITH REPLACEABLE TIP		1				
D10		INC. A04						
A04	465000550	SPROCKET NOSE 3/8" .058"		1				
A05	445045455	SOLID NOSE BAR 45CM MAKITA		1				
A05A_	445050455	SOLID NOSE BAR 50CM MAKITA		1				
A05B_	445060455	SOLID NOSE BAR 60CM MAKITA		1				
A05C_	445070455	SOLID NOSE BAR 70CM MAKITA		1				

