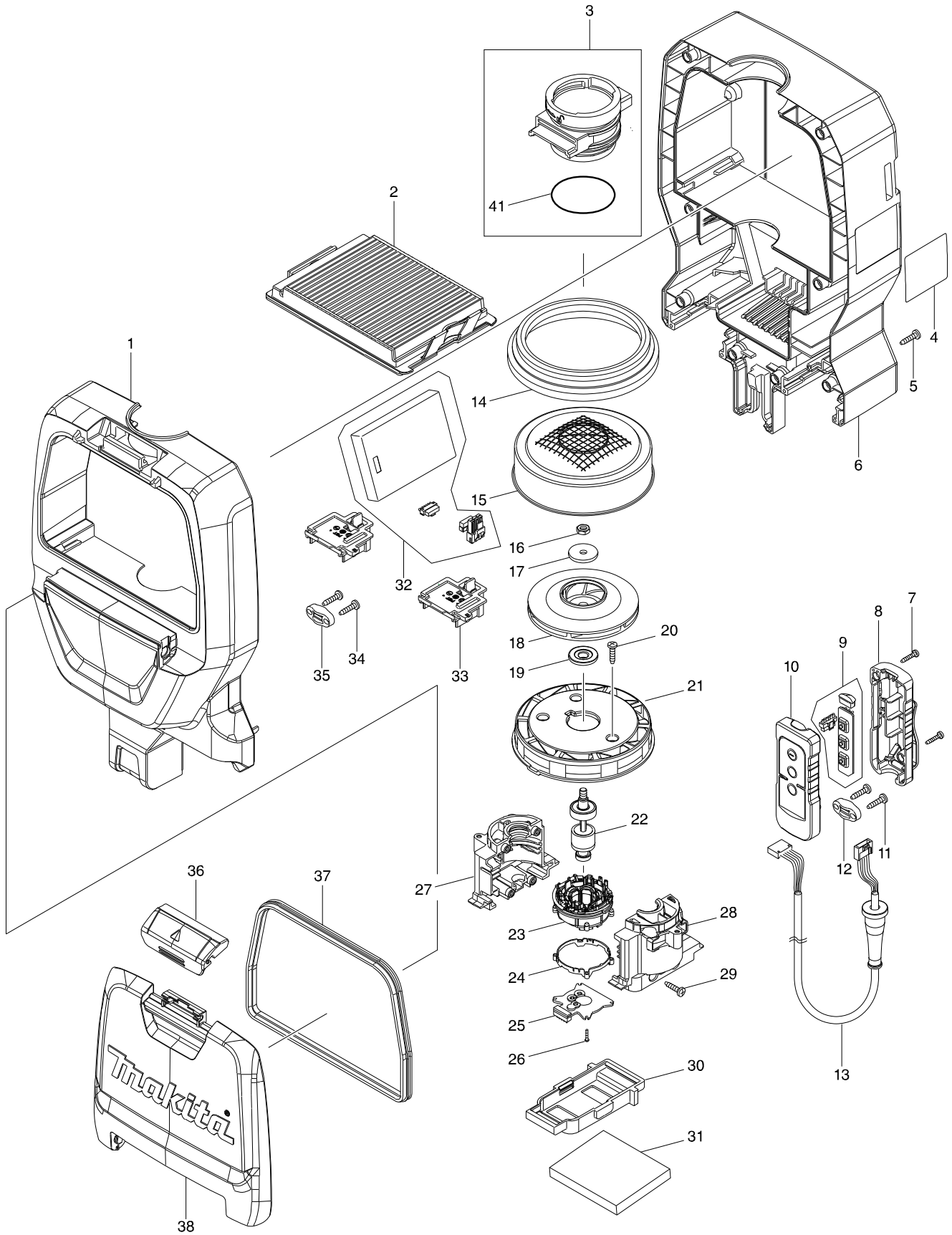


Model No. DVC260 DC BACKPACK VACUUM CLEANER



Model No. DVC260 DC BACKPACK VACUUM CLEANER

Model No. DVC260 DC BACKPACK VACUUM CLEANER

Item	Parts No.	Description	I/C	QTY	N/O	Opt. 1	Opt. 2	NOTE
001	143788-0	UPPER HOUSING COMPLETE		1				
C10	263005-3	RUBBER PIN 6		4				
C20	424834-1	BAND DAMPER A		1				
002	123636-9	FILTER ASSEMBLY		1				
C10	153820-2	VALVE COMPLETE		1				
003	135771-1	INLET ASS'Y		1				
D10		INC. 41						
004	852D42-2	DVC260 NAME PLATE		1				
005	266326-2	TAPPING SCREW 4X18		8				
006	143789-8	LOWER HOUSING COMPLETE		1				
C10	424835-9	BAND DAMPER B		1				
007	266130-9	TAPPING SCREW BIND PT 3X16		2				
008	183D91-1	SWITCH CASE SET		1				
D10		INC. 10						
009	620525-4	SUB CONTROLLER		1				
010	183D91-1	SWITCH CASE SET		1				
D10		INC. 8						
011	266326-2	TAPPING SCREW 4X18		2				
012	687123-7	STRAIN RELIEF		1				
013	699077-6	POWER SUPPLY CORD UNIT		1				
014	421380-5	SUPPORT RING		1				
015	165386-0	FAN COVER		1				
016	931303-0	HEX. NUT M6		1				
017	322407-3	WASHER 6		1				
018	241851-4	FAN 94		1				
019	313062-2	FLANGE		1				
020	266326-2	TAPPING SCREW 4X18		3				
021	456736-3	FAN BASE		1				
022	619395-6	ROTOR		1				
023	629189-1	STATOR		1				
024	687464-1	SUPPORT		1				
025	620526-2	CONTROLLER B		1				
026	266786-8	+ PAN HEAD TAPPING SCREW 2X10		4				
027	183D13-1	MOTOR HOUSING SET		1				
D10		INC. 28						
028	183D13-1	MOTOR HOUSING SET		1				
D10		INC. 27						
029	266326-2	TAPPING SCREW 4X18		4				
030	424837-5	SUPPORT A		1				
031	424838-3	REAR BLOCK FILTER		2				
032	620524-6	CONTROLLER A		1				
D10		INC. 33						
D10		INC. 33						
D10		INC. 33						
D10		INC. 33						
033	644808-8	TERMINAL		2				
034	266326-2	TAPPING SCREW 4X18		2				
035	687123-7	STRAIN RELIEF		1				

