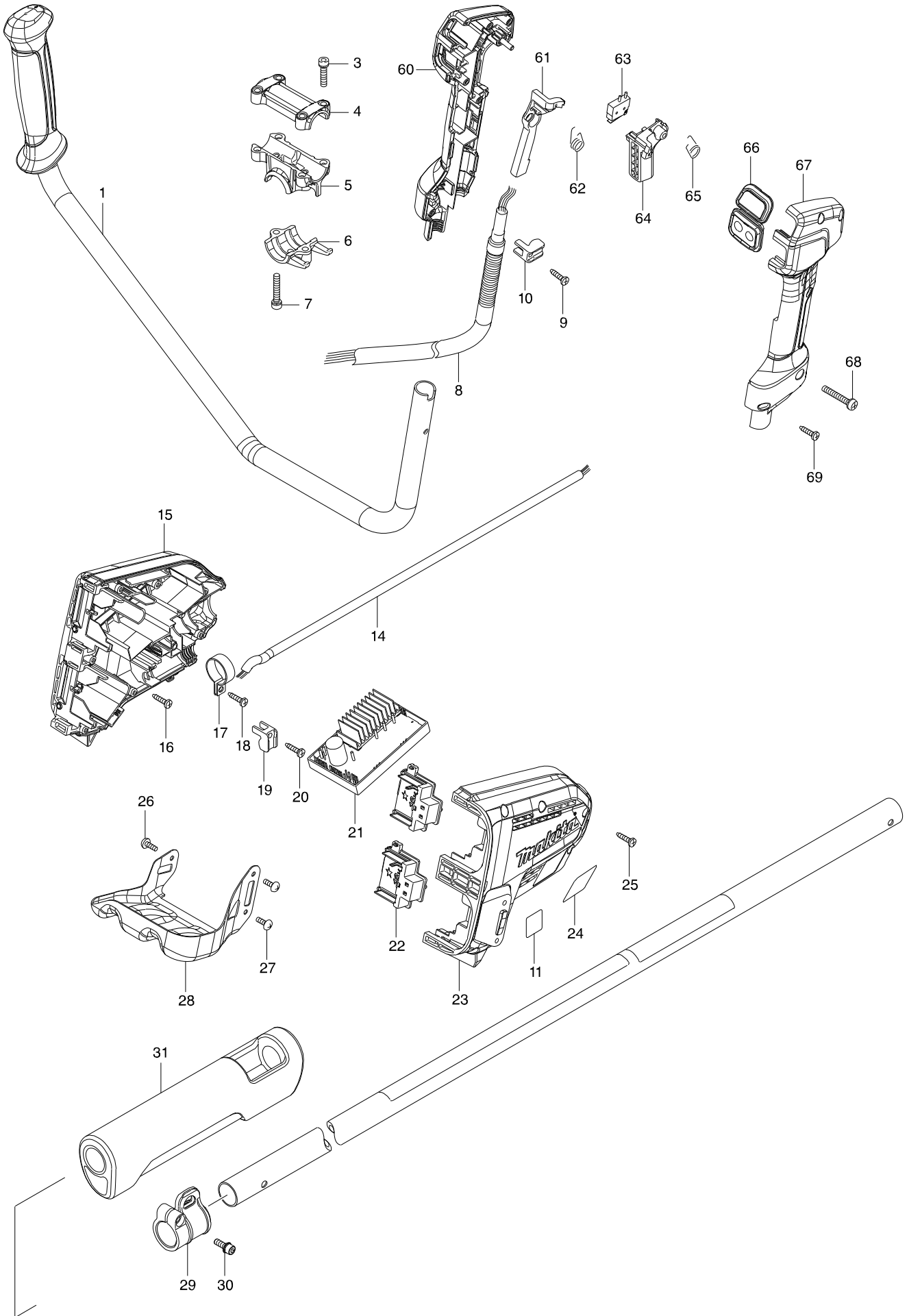
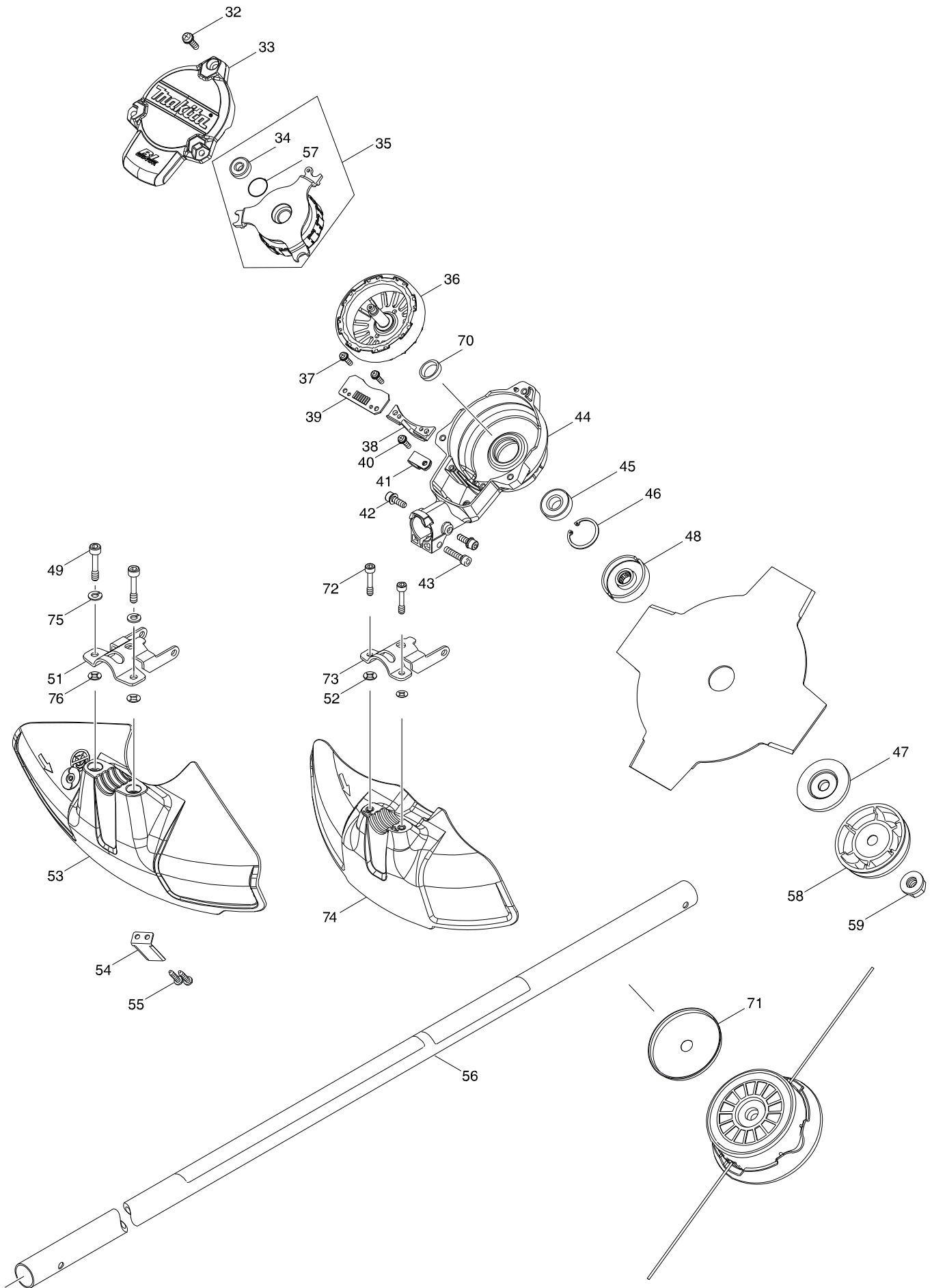


Model No. DUR365U CORDLESS GRASS TRIMMER



Model No. DUR365U CORDLESS GRASS TRIMMER



Model No. DUR365U CORDLESS GRASS TRIMMER

| Item | Parts No. | Description | I/C | QTY | N/O | Opt. 1 | Opt. 2 | NOTE |
|-------|-----------|-----------------------------|-----|-----|-----|--------|--------|------|
| 001 | 143187-6 | HANDLE COMPLETE | | 1 | | | | |
| 003 | 922241-7 | HEX. SOCKET HEAD BOLT M5X25 | | 4 | | | | |
| 004 | 318272-6 | HANDLE HOLDER 1 | | 1 | | | | |
| 005 | 318273-4 | HANDLE HOLDER 2 | | 1 | | | | |
| 006 | 318274-2 | HANDLE HOLDER 3 | | 1 | | | | |
| 007 | 922251-4 | HEX. SOCKET HEAD BOLT M5X30 | | 2 | | | | |
| 008 | 699069-5 | POWER SUPPLY CORD UNIT | | 1 | | | | |
| 009 | 266326-2 | TAPPING SCREW 4X18 | | 1 | | | | |
| 010 | 687261-5 | STRAIN RELIEF | | 1 | | | | |
| 014 | 699067-9 | POWER SUPPLY CORD UNIT | | 1 | | | | |
| 015 | 183A64-6 | HOUSING SET | | 1 | | | | |
| C10 | 263005-3 | RUBBER PIN 6 | | 4 | | | | |
| D10 | | INC. 23 | | | | | | |
| 016 | 266326-2 | TAPPING SCREW 4X18 | | 3 | | | | |
| 017 | 346248-3 | CLAMP 24 | | 1 | | | | |
| 018 | 266326-2 | TAPPING SCREW 4X18 | | 1 | | | | |
| 019 | 687261-5 | STRAIN RELIEF | | 1 | | | | |
| 020 | 266326-2 | TAPPING SCREW 4X18 | | 1 | | | | |
| 021 | 143186-8 | CONTROLLER COMPLETE | | 1 | * | | | |
| 021-1 | 144368-5 | CONTROLLER COMPLETE | S | 1 | | | | |
| 022 | 644808-8 | TERMINAL | | 2 | | | | |
| 023 | 183A64-6 | HOUSING SET | | 1 | | | | |
| C10 | 263005-3 | RUBBER PIN 6 | | 4 | | | | |
| D10 | | INC. 15 | | | | | | |
| 024 | 850U28-2 | DUR365U NAME PLATE | | 1 | | | | |
| 025 | 266326-2 | TAPPING SCREW 4X18 | | 7 | | | | |
| 026 | 251314-2 | + SCREW M4X12 | | 1 | | | | |
| 027 | 251314-2 | + SCREW M4X12 | | 2 | | | | |
| 028 | 346858-6 | BATTERY GUARD | | 1 | | | | |
| 029 | 168478-4 | HANGER | | 1 | | | | |
| 030 | 922228-9 | H.S.H.BOLT M5X18 WITH WR | | 1 | | | | |
| 031 | 424463-0 | CUSHION | | 1 | | | | |
| 032 | 911233-1 | PAN HEAD SCREW M5X20 | | 3 | | | | |
| 033 | 455626-7 | TOP COVER | | 1 | | | | |
| 034 | 210062-2 | BALL BEARING 607ZZ | | 1 | | | | |
| 035 | 529146-8 | STATOR ASS'Y | | 1 | | | | |
| D10 | | INC. 34,57 | | | | | | |
| 036 | 619368-9 | ROTOR | | 1 | | | | |
| 037 | 911128-8 | P.H.SCREW M4X16 WITH WR | | 2 | | | | |
| 038 | 455628-3 | INNER COVER | | 1 | | | | |
| 039 | 620401-2 | CONTROLLER B | | 1 | * | | | |
| 039-1 | 620562-8 | CONTROLLER B | S | 1 | | | | |
| 040 | 911128-8 | P.H.SCREW M4X16 WITH WR | | 1 | | | | |
| 041 | 687042-7 | STRAIN RELIEF | | 1 | | | | |
| 042 | 922223-9 | H.S.H.BOLT M5X16 WITH WR | | 2 | | | | |
| 043 | 922241-7 | HEX. SOCKET HEAD BOLT M5X25 | | 1 | | | | |
| 044 | 143039-1 | MOTOR HOUSING COMPLETE | | 1 | | | | |
| 045 | 211131-2 | BALL BEARING 6001DDW | | 1 | | | | |

