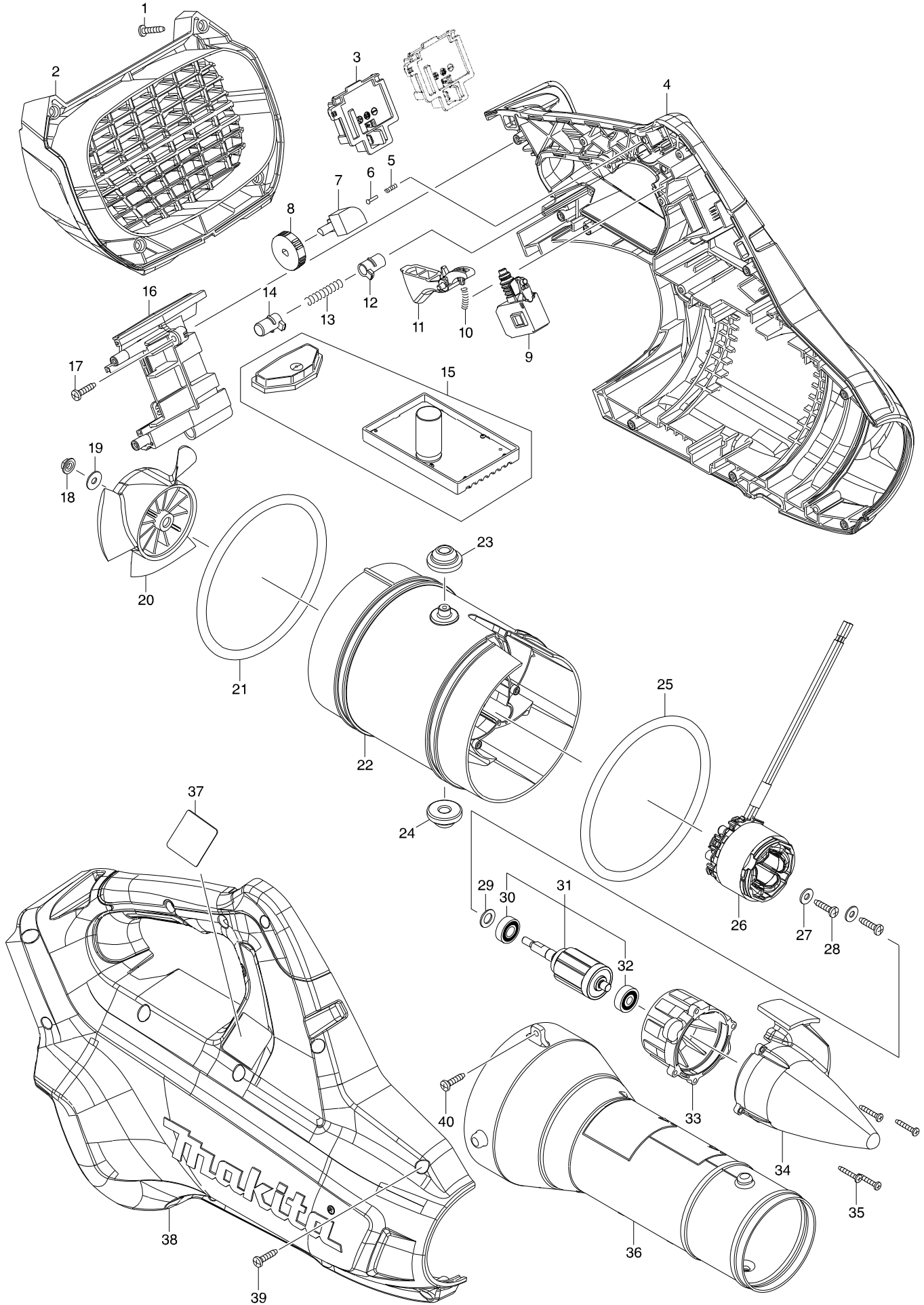


Model No. DUB362 CORDLESS BLOWER



Model No. DUB362 CORDLESS BLOWER

Item	Parts No.	Description	I/C	QTY	N/O	Opt. 1	Opt. 2	NOTE
001	266326-2	TAPPING SCREW 4X18		4		73181500		
002	455912-6	REAR COVER		1				
003	644808-8	TERMINAL		2		73182990		
004	183A81-6	HOUSING SET		1				
C10	263005-3	RUBBER PIN 6		2		40169390		
C20	806D81-4	CAUTION LABEL		1				
D10		INC. 38						
005	233002-3	COMPRESSION SPRING 3		1		73209090		
006	255058-6	RIVET 2		1		73182990		
007	620415-1	SUB CONTROLLER		1				
008	271427-3	DIAL 28		1		40169390		
009	650709-0	SWITCH C3JW-1A-P		1				
010	233101-1	COMPRESSION SPRING 4		1		73209090		
011	455913-4	SWITCH LEVER		1				
012	418881-2	LOCK ON BUTTON		1				
013	233092-6	COMPRESSION SPRING 5		1		73209090		
014	418881-2	LOCK ON BUTTON		1				
015	143166-4	CONTROLLER COMPLETE		1				
016	143146-0	CENTER CASE COMPLETE		1				
C10	263005-3	RUBBER PIN 6		2		40169390		
017	266326-2	TAPPING SCREW 4X18		2		73181500		
018	264111-7	CORNED DISK SPRING HEX.NUT M5		1	*			
018-1	252103-8	HEX. LOCK NUT M5-8	<	1		73181500		
019	253194-2	FLAT WASHER 5		1		84679900		
020	240158-5	FAN 110		1	*			
020-1	240177-1	FAN 110	<	1				
021	424721-4	RUBBER RING 115		1				
022	455907-9	MOTOR HOUSING		1				
023	424194-1	RUBBER RING 8		1				
024	424194-1	RUBBER RING 8		1				
025	424721-4	RUBBER RING 115		1				
026	629153-2	STATOR DC36V		1				
027	253184-5	FLAT WASHER 5		2				
028	266326-2	TAPPING SCREW 4X18		2		73181500		
029	253835-0	FLAT WASHER 8		1	*	84679900		
030	210040-2	BALL BEARING 698LLU		1				
031	519366-2	ROTOR ASS'Y		1	*			
D10		INC. 30,32			*			
031-1	519444-8	ROTOR ASS'Y	O	1				
D10		INC. 30,32						
032	210022-4	BALL BEARING 626DDW		1		84821090		
033	455908-7	MOTOR HOUSING COVER		1				
034	455909-5	CAP		1				
035	265935-4	TAPPING SCREW 3X20		4		73181500		
036	455914-2	FRONT NOZZLE		1				
037	850U44-4	DUB362 NAME PLATE		1				
038	183A81-6	HOUSING SET		1				
C10	263005-3	RUBBER PIN 6		2		40169390		

Model No. DUB362 CORDLESS BLOWER

Item	Parts No.	Description	I/C	QTY	N/O	Opt. 1	Opt. 2	NOTE
C20	806D81-4	CAUTION LABEL		1				
D10		INC. 4						
039	266326-2	TAPPING SCREW 4X18		12		73181500		
040	266326-2	TAPPING SCREW 4X18		2	*	73181500		
040-1	266300-0	TAPPING SCREW 4X18	<	2				
A02	455915-0	LONG NOZZLE		1				
A04B	***DC18RC	DC18RC FAST CHARGER		1				
A05B	196399-0	BATTERY BL1840 SET		2	*			
A05-1B	197265-4	BATTERY BL1840B SET	<	2	*	85076000		
A05-2B	198012-6	BATTERY BL1840B SET	<	2				
A07	456958-5	FLAT NOZZLE		1				