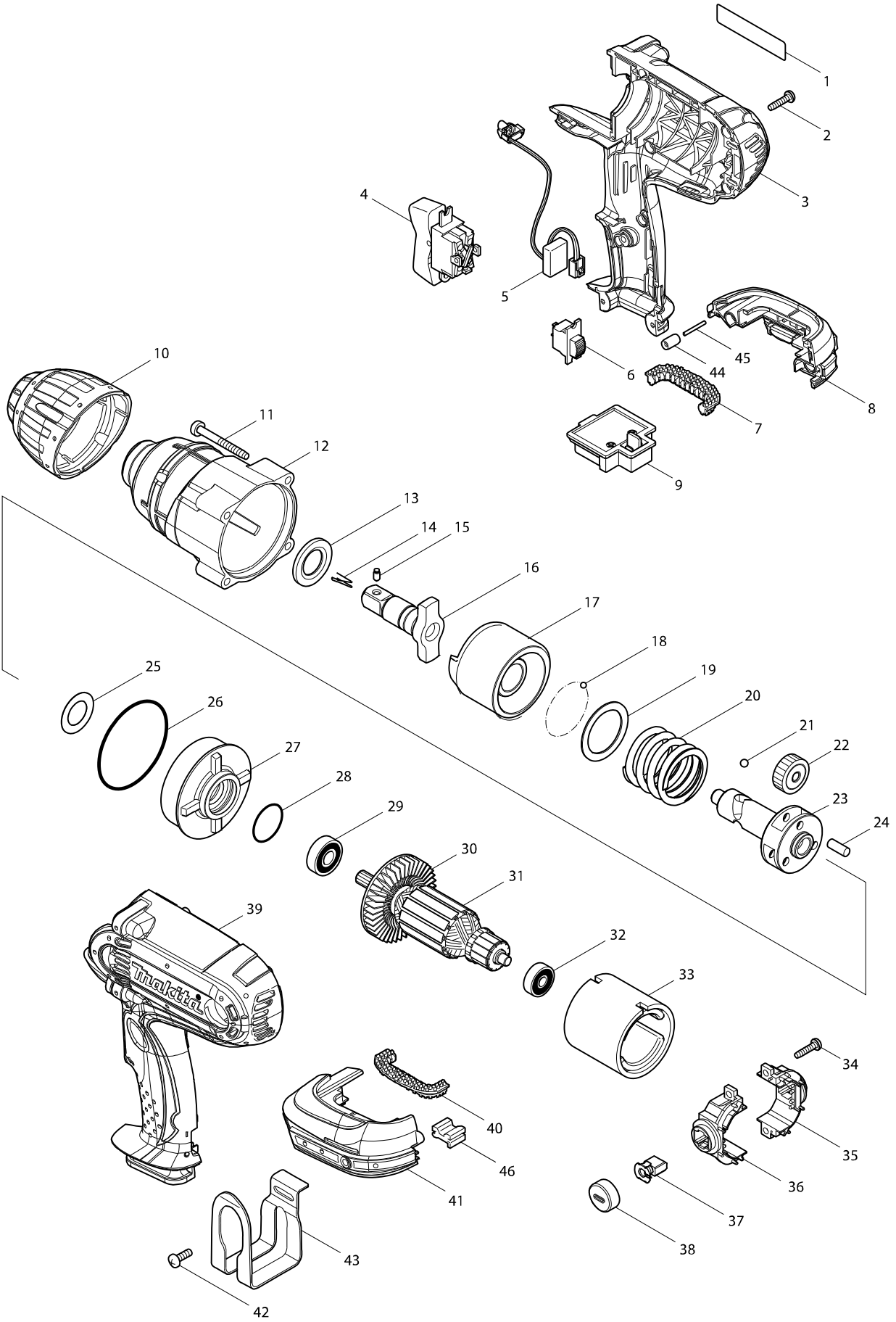


Model No. DTW450 CORDLESS IMPACT WRENCH



Model No. DTW450 CORDLESS IMPACT WRENCH

Item	Parts No.	Description	I/C	QTY	N/O	Opt. 1	Opt. 2	NOTE
001	850H18-7	DTW450 NAME PLATE		1				
002	265995-6	TAPPING SCREW 4X18		9				
003	188434-8	HOUSING SET		1				
C10	263025-7	RUBBER PIN 4		4				
D10		INC. 39						
004	651572-4	SWITCH SL220SD-19		1				
005	631738-2	LIGHT CIRCUIT		1				
006	638503-0	SWITCH UNIT		1				
007	424042-4	CUSHION RUBBER		1				
008	187873-9	BATTERY HOUSING SET		1				
C10	263005-3	RUBBER PIN 6		2				
D10		INC. 41						
009C	643843-3	TERMINAL		1	*			
009D	643843-3	TERMINAL		1	*			
009-1C	643844-1	TERMINAL	O	1				
009-1D	643844-1	TERMINAL	O	1				
009-1E	643844-1	TERMINAL		1				
010	421971-2	BUMPER		1				
011	266056-5	TAPPING SCREW 5X45		4				
012	158076-2	HAMMER CASE COMPLETE		1				
013	267268-3	FLAT WASHER 19		1				
014	231907-1	RING SPRING 10		1				
016	324406-1	ANVIL		1	*			
016-1	326983-9	ANVIL	<	1				
017	324697-4	HAMMER		1				
018	216008-6	STEEL BALL 4		29				
019	267340-1	FLAT WASHER 32		2				
020	234338-3	COMPRESSION SPRING 33		1				
021	216007-8	STEEL BALL 6.4		2				
022	227171-0	SPUR GEAR 23		3				
023	310185-7	SPINDLE		1				
024	256033-5	PIN 6		3				
025	253794-8	FLAT WASHER 18		1				
026	213722-5	O RING 63		1				
027	227172-8	INTERNAL GEAR 53		1				
028	213407-3	O RING 26		1				
029	210059-1	BALL BEARING 6000DDW		1				
030	241850-6	FAN 60		1				
031	519199-5	ARMATURE ASS'Y 18V		1				
D10		INC. 29,30,32						
032	210025-8	BALL BEARING 627LLB		1				
033	638107-8	YOKE UNIT		1				
034	265995-6	TAPPING SCREW 4X18		2				
035	643818-2	BRUSH HOLDER		1				
036	643823-9	BRUSH HOLDER		1				
037	194435-6	CARBON BRUSH CB-441		1				
038C	643941-3	BRUSH HOLDER CAP		2	*			
038D	643941-3	BRUSH HOLDER CAP		2	*			

