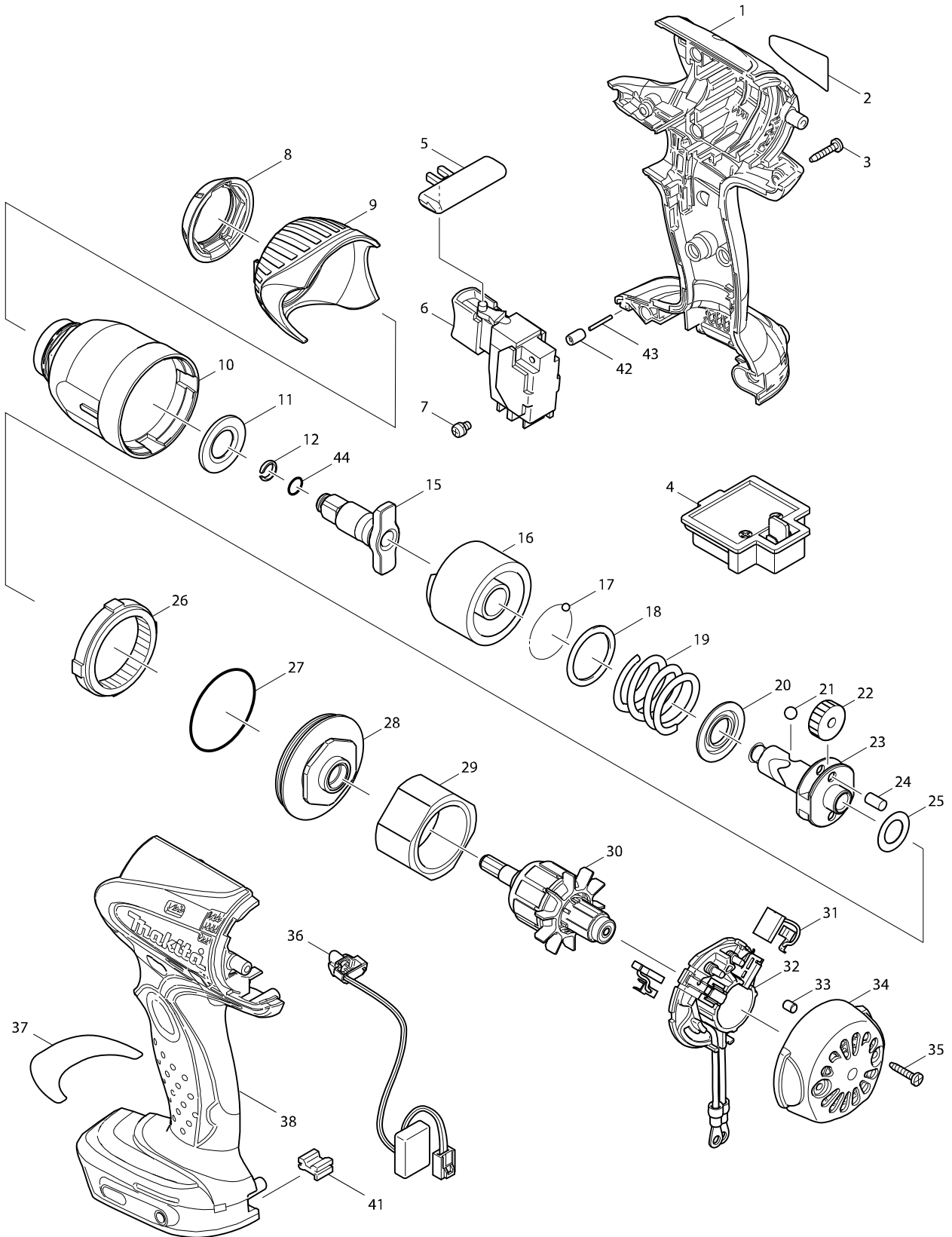


# Model No. DTW253 CORDLESS IMPACT WRENCH



# Model No. DTW253 CORDLESS IMPACT WRENCH

Item	Parts No.	Description	I/C	QTY	N/O	Opt. 1	Opt. 2	NOTE
001	188243-5	HOUSING SET		1				
C10	263005-3	RUBBER PIN 6		2				
D10		INC. 38						
002	850B15-7	DTW253 NAME PLATE		1				
003	266130-9	TAPPING SCREW BIND PT 3X16		8				
004	643852-2	TERMINAL		1				
005	419041-9	F/R CHANGE LEVER		1				
006	650652-3	SWITCH TG553FSB-1B		1				
007	652045-0	+PAN HEAD SCREW M3.5X5		2				
008	424369-2	BUMPER		1				
009	452393-5	HAMMER CASE COVER		1				
010	154590-6	HAMMER CASE COMPLETE		1				
011	261108-7	NYLON WASHER 14		1				
012	233943-3	RING SPRING 8		1				
015	324921-5	ANVIL		1				
016	324810-4	HAMMER		1				
017	216001-0	STEEL BALL 3.5		24				
018	267175-0	FLAT WASHER 24		1				
019	234074-1	COMPRESSION SPRING 25		1				
020	267766-7	CUP WASHER 14		1				
021	216011-7	STEEL BALL 5.6		2				
022	226336-1	SPUR GEAR 22		2	*			
022-1	227362-3	SPUR GEAR 22	<	2				
023	324552-0	SPINDLE		1				
024	256253-1	PIN 5		2				
025	267212-0	FLAT WASHER 12		1				
026	227150-8	INTERNAL GEAR 51		1				
027	213507-9	O RING 40		1				
028C	158145-9	BEARING BOX COMPLETE		1	*			
028D	158145-9	BEARING BOX COMPLETE		1	*			
028-1C	143035-9	BEARING BOX COMPLETE	O	1				
028-1D	143035-9	BEARING BOX COMPLETE	O	1				
028-1E	143035-9	BEARING BOX COMPLETE		1				
029	638495-3	YORK UNIT		1				
030	619253-6	ARMATURE		1	*			
030-1	619375-2	ARMATURE	<	1				
031	196854-2	CARBON BRUSH CB-448		1	*			
031-1	196854-2	CARBON BRUSH CB-448	S	1				
032	638498-7	BRUSH HOLDER COMPLETE		1	*			
032-1	632G49-0	BRUSH HOLDER COMPLETE	S	1				
C10	689181-9	SPACER		2				
D10		INC. 31						
033	263032-0	RUBBER PIN 4		2				
034	418981-8	REAR COVER		1				
035	266130-9	TAPPING SCREW BIND PT 3X16		2				
036	631693-8	LIGHT CIRCUIT		1				
038	188243-5	HOUSING SET		1				
C10	263005-3	RUBBER PIN 6		2				

# Model No. DTW253 CORDLESS IMPACT WRENCH

Item	Parts No.	Description	I/C	QTY	N/O	Opt. 1	Opt. 2	NOTE
D10		INC. 1						
041C	424026-2	CUSHION		1	*			
041D	424026-2	CUSHION		1	*			
041-1C	424476-1	CUSHION	O	1				
041-1D	424476-1	CUSHION	O	1				
041-1E	424476-1	CUSHION		1				
042	263036-2	RUBBER PIN 5		1				
043	268184-2	PIN 1.5		1				
044	213960-9	O RING 5		1				
A01D	***DC18RC	DC18RC FAST CHARGER		1				
A01E	***DC18RC	DC18RC FAST CHARGER		1				
A02D	194204-5	BATTERY BL1830 SET		2	*			
A02E	196399-0	BATTERY BL1840 SET		2	*			
A02-1D	194204-5	BATTERY BL1830 SET	O	2	*			
A02-1E	197265-4	BATTERY BL1840B SET	<	2	*			
A02-2D	197605-6	BATTERY BL1830B SET	<	2				
A02-2E	198012-6	BATTERY BL1840B SET	<	2				
A03D	141205-4	PLASTIC CARRYING CASE		1				
C10	324207-7	SHAFT		1				
C20	413098-2	PLATE		4				
C30	417724-5	LATCH		2				
C40	419215-2	PLASTIC CASE LID		1				
C50	419216-0	HANDLE		1				
A03E	141205-4	PLASTIC CARRYING CASE		1				
C10	324207-7	SHAFT		1				
C20	413098-2	PLATE		4				
C30	417724-5	LATCH		2				
C40	419215-2	PLASTIC CASE LID		1				
C50	419216-0	HANDLE		1				
A04D	450128-8	BATTERY COVER		1				
A04E	450128-8	BATTERY COVER		1				
A05D	803P01-1	DTW253RFE MODEL NO. LABEL		1				
A05E	806E83-6	DTW253RME MODEL NO. LABEL		1				